

# SQL6

## 6" Integrated LED Indoor and Outdoor Square Cylinders

### Specifications/Features

Specification grade 6" diameter aluminum housing for indoor and outdoor applications. Four mounting options available: Ceiling, Flexible Cable, Rigid Stem, or Wall Mount. Wall mount options are available in a single light engine directed up or down, or with a dual light engine for both up and down light.

Ceiling and Rigid Stem mounting are available in either dry/damp (indoor) or wet (outdoor) location types. All wall mounted versions come wet (outdoor) rated for installation in either indoor or outdoor environments. Flexible cable version is only available in dry/damp location type.

Luminaires available in matte white, matte black, matte silver, and satin bronze finishes. Black flexible cable with black or bronze cylinders, white with white and gray with silver.

Optical system employs either a clear or platinum reflector. Clear reflector is available in narrow (36°), medium (54°) and wide (80°) beam distributions. Platinum is only available in a single beam distribution (57°). Wall Wash and Pencil Beam optic accessories are also available on select models.

#### Mounting

For Rigid Stem pendant mount cylinders, Stem Kit must be ordered separately. Stem Kit includes Slope Ceiling Canopy and 6" Stem length. Stem Kit includes Slope Ceiling Canopy and 6" Stem length. Extra stem lengths must be ordered separately as needed. Slope Ceiling Canopy is for use on ceilings with up to a 45-degree slope. Stem thread: 1/4-18NPS.

Wall mount cylinders include a support tether for hands-free wiring.

Flexible cable mount cylinders come with 120" of field adjustable cable and steel aircraft cable for support.

#### Lamp/Electrical

Light engine consists of a high output multi-chip LED array arranged into a single LED package, enabling precise optical control without requiring lensing to diffuse multiple LED sources. Excellent fixture-to-fixture color consistency within a 3-step MacAdam Ellipse tolerance.

System designed and rated for 50,000 hours at 70% lumen maintenance.

UL8750 and Class 2 compliant: RoHS compliant, U.S. only.

Output over voltage, over current and short circuit protected.

#### Dimming

All 6" cylinders are available for non-dimming and dimming applications. Consult model tree for driver options and the dimmer specification sheet for compatible dimmers.

#### Warranty

This complete fixture is covered by ConTech's full five (5) year replacement guarantee after date of purchase.

#### Labels/Usage

cCSAus Certified for use in the U.S. and Canada.

All models must be installed per specific product installation instructions and appropriate National Electrical Codes.

Energy Star Certified for all mounting options except the Up/Down Wall Mount.

Energy Star Certified for all CCTs except LED Series 6, 2700K.

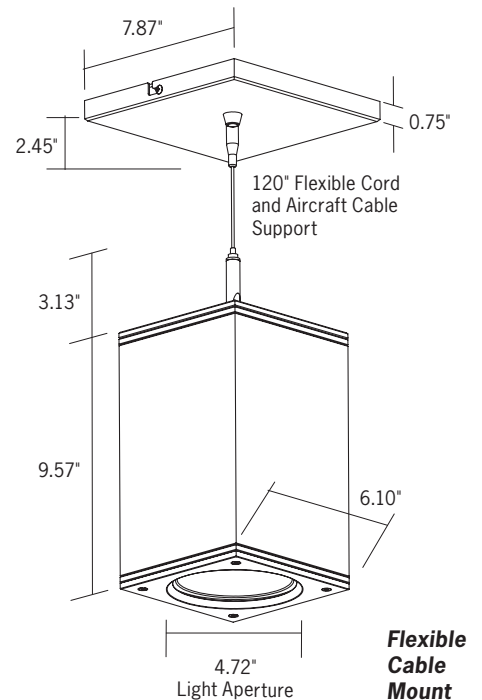
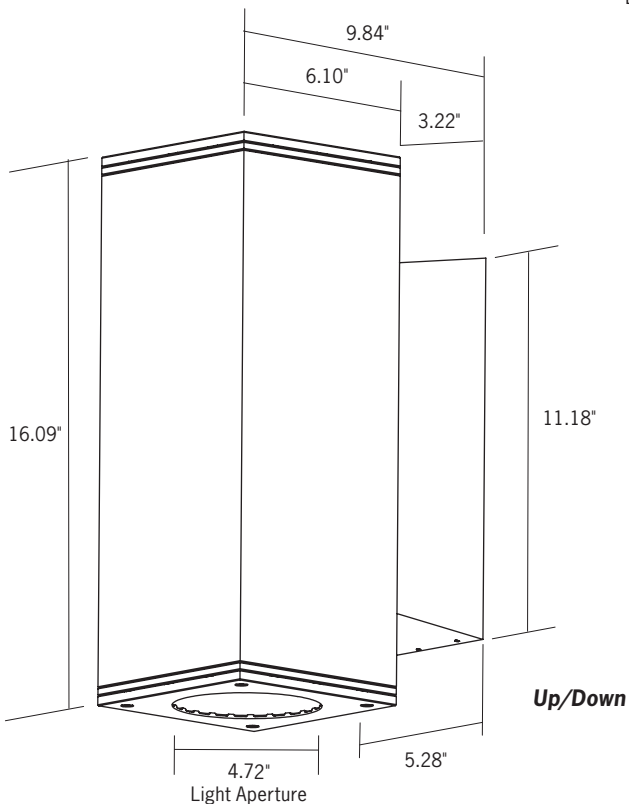
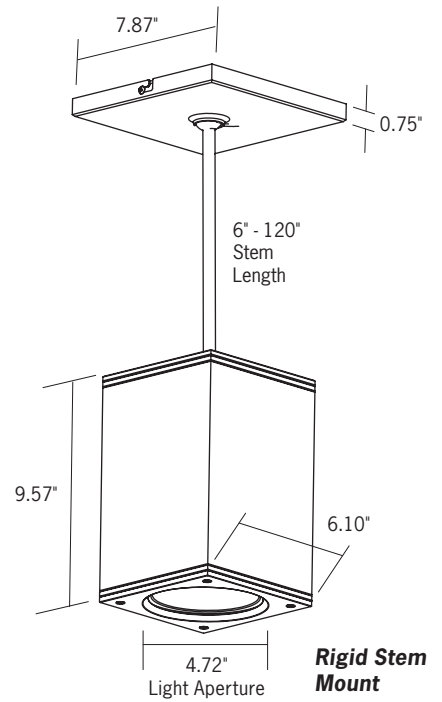
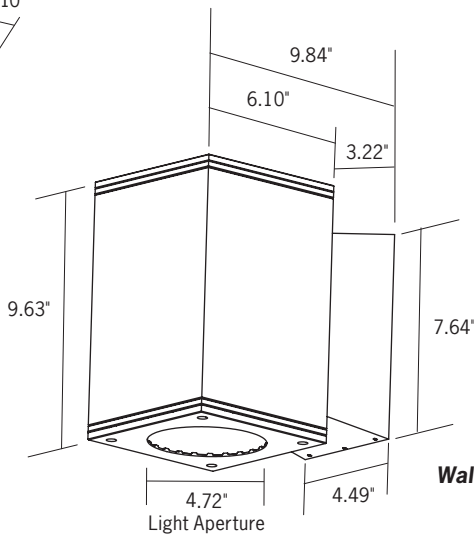
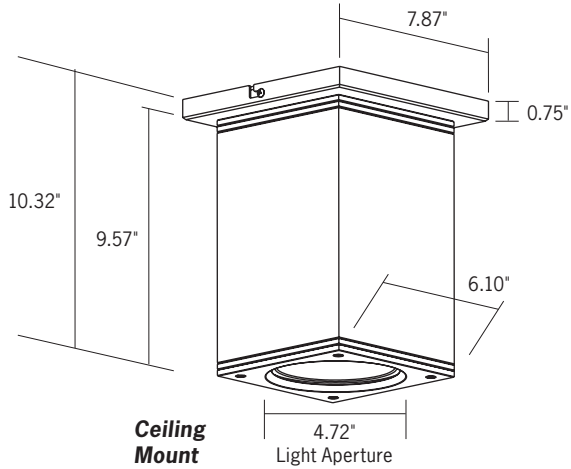
Energy Star Certified for all reflectors except Pencil Beam and Wall Wash.

Assembled in the U.S.A.



# SQL6

## 6" Integrated LED Indoor and Outdoor Square Cylinders



# SQL6

## 6" Integrated LED Indoor and Outdoor Square Cylinders

### Ordering Information

Example Order:  -

Fixture/LED Series	Color Temp	Driver/Dimming	Mounting	Mntg Location	Reflector	Finish	Battery Back-up
<input type="text"/>	<input type="text"/>	<input type="text"/>	<input type="text"/>	<input type="text"/>	<input type="text"/>	<input type="text"/>	<input type="text"/>
<b>SQL61</b> - 10W, 1000lm	<b>27K</b> - 2700K <b>30K</b> - 3000K	<b>MVD</b> - 120V-277V TRIAC, ELV, 0-10V Dimming	<b>C<sup>1</sup></b> - Ceiling Mount <b>FC<sup>3</sup></b> - Flexible Cable	- Interior Dry/Damp	<b>NCLR</b> - 36° Narrow Beam, Clear Alzak	<b>B</b> - Matte Black <b>BZ</b> - Satin Bronze	- None, Leave Blank
<b>SQL62</b> - 14W, 1400lm	<b>35K</b> - 3500K <b>40K</b> - 4000K	<b>34D2</b> - 347V, 0-10V Dimming	<b>RS<sup>1,2</sup></b> - Rigid Stem <b>W<sup>3</sup></b> - Wall Mount	(Leave Blank) <b>X</b> - Exterior/Wet	<b>MCLR</b> - 54° Medium Beam, Clear Alzak	<b>P</b> - Matte White <b>S</b> - Matte Silver	<b>RDB</b> - Remote Driver & Battery Pack
<b>SQL63</b> - 20W, 2000lm	<b>27KC</b> - 2700K, 90 CRI	<b>12D3</b> - Lutron Hi-Lume 1% 2-Wire LED Driver (120V Forward Phase Only)	<b>WL<sup>4</sup></b> - Large Wall Mount	Up or Down	<b>WCLR</b> - 80° Wide Beam, Clear Alzak	<b>CC<sup>6</sup></b> - Custom Color	
<b>SQL64</b> - 28W, 2600lm	<b>30KC</b> - 3000K, 90 CRI	<b>MVD4</b> - Lutron Hi-Lume 1% EcoSystem LED Driver with Soft-on, Fade-to-Black	<b>UD<sup>4</sup></b> - Up/Down Dual Wall Mount	Up or Down Wall Mount	<b>PL</b> - 57° Platinum <b>PB<sup>5</sup></b> - Pencil Beam <b>WW<sup>5</sup></b> - Wall Wash		
<b>SQL65</b> - 37W, 3200lm	<b>35KC</b> - 3500K, 90 CRI						
<b>SQL66</b> - 43W, 3600lm	<b>40KC</b> - 4000K, 90 CRI						
		<b>MVD6</b> - eldoLED ECOdrive, 0-10V, 1% Dimming <b>MVD7</b> - eldoLED ECOdrive, DALI, 1% Dimming <b>MVD8</b> - eldoLED SOLOdrive, 0-10V, 0.1% Dimming <b>MVD9</b> - eldoLED SOLOdrive, DALI, 0.1% Dimming <b>MDMX</b> - eldoLED POWERdrive, DMX <1% Dimming					

1. Mounting style C & RS may be ordered either Damp/Dry or Wet location
2. RS Mount units come with canopy and 6" stem. Extra stem lengths must be ordered separately as needed.
3. Mounting style FC may only be ordered Damp/Dry location
4. Mounting style W, WL, & UD may only be ordered as Wet location
5. WW and PB Reflector options limited up to Series 4 when used in UD mounting
6. Custom finish colors available. Consult factory for pricing, minimum order quantities and lead time.

### Accessories



Stems for RS Mounting  
Includes Slope Ceiling Canopy and 6" stem;  
extra stem lengths must be ordered separately  
as needed. Slope Ceiling Canopy for use on  
ceilings with up to a 45° slope.

-

- |                                 |                          |
|---------------------------------|--------------------------|
| <b>6" STEM(A)</b> - 6" Stem     | <b>B</b> - Matte Black   |
| <b>12" STEM(A)</b> - 12" Stem   | <b>BZ</b> - Satin Bronze |
| <b>18" STEM(A)</b> - 18" Stem   | <b>P</b> - Matte White   |
| <b>24" STEM(A)</b> - 24" Stem   | <b>S</b> - Matte Silver  |
| <b>30" STEM(A)</b> - 30" Stem   |                          |
| <b>36" STEM(A)</b> - 36" Stem   |                          |
| <b>48" STEM(A)</b> - 48" Stem   |                          |
| <b>COUPLING</b> - Stem Coupling |                          |

# SQL6

## 6" Integrated LED Indoor and Outdoor Square Cylinders

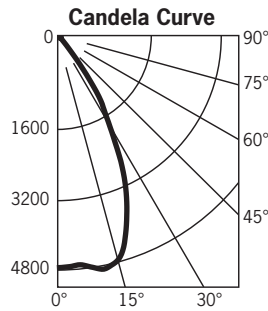
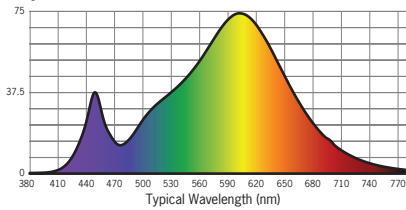
### Photometrics

CCT	STD CRI	HIGH CRI	SERIES 1	SERIES 2	SERIES 3	SERIES 4	SERIES 5	WHT/PL REFLECTORS
2700K	0.94	0.70	0.29	0.39	0.53	0.73	0.90	1.0
3000K	N/A	0.75	0.29	0.39	0.53	0.73	0.90	1.0
3500K	1.0	0.81	0.29	0.39	0.53	0.73	0.90	1.0
4000K	1.0	0.87	0.29	0.39	0.53	0.73	0.90	1.0

### SQL6630KMVDCMCLR

Designed for 50,000 Hour Lamp Life\*; LM-63 Test No. 85098

**Light Output (Fixture Delivered Lumens):** 3603  
**Total Watts@120V:** 43.0  
**Lumens Per Watt:** 83.8  
**Color Rendering Index (CRI)<sup>1</sup>:** 83  
**Color Temperature (CCT)<sup>2</sup>:** 2988K  
**Spectral Power Distribution Chart<sup>3</sup>**



#### Candlepower Summary

FROM 0	CANDELA	LUMENS
0	4747	
5	4706	455
15	4680	1278
25	2956	1316
35	815	514
45	30	24
55	11	11
65	4	4
75	1	1
85	0	0
95	0	

#### Intensity Distribution

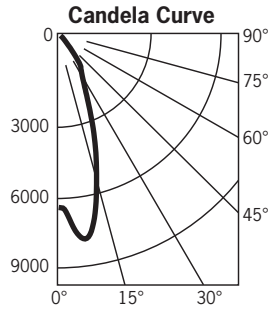
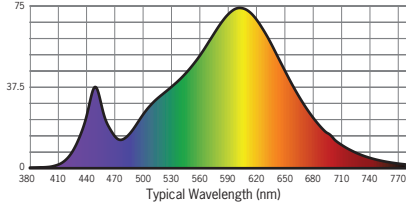
DISTANCE (FT.)	FOOTCANDLES (FC)	BEAM DIAMETER (FT.)
6'	131.9	5.4
8'	74.2	7.2
10'	47.5	9.0
12'	33.0	10.8
14'	24.2	12.6
16'	18.5	14.4

**Beam Distribution:** 54°  
**Spacing Criteria:** 0.82

### SQL6630KMVDCNCLR

Designed for 50,000 Hour Lamp Life\*; LM-63 Test No. 85317

**Light Output (Fixture Delivered Lumens):** 3567  
**Total Watts@120V:** 43.0  
**Lumens Per Watt:** 83.0  
**Color Rendering Index (CRI)<sup>1</sup>:** 82  
**Color Temperature (CCT)<sup>2</sup>:** 3027K  
**Spectral Power Distribution Chart<sup>3</sup>**



#### Candlepower Summary

FROM 0	CANDELA	LUMENS
0	6579	
5	7684	716
15	5015	1377
25	1967	950
35	780	462
45	46	36
55	18	17
65	6	7
75	2	2
85	0	0
95	0	

#### Intensity Distribution

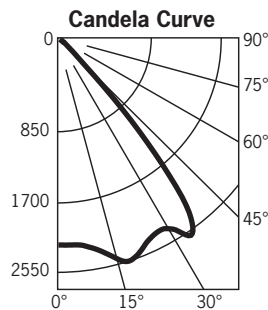
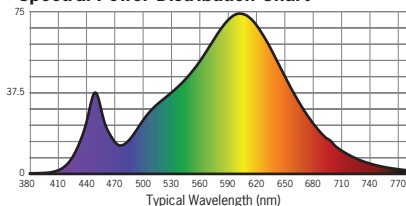
DISTANCE (FT.)	FOOTCANDLES (FC)	BEAM DIAMETER (FT.)
6'	182.8	3.9
8'	102.8	5.3
10'	65.8	6.6
12'	45.7	7.9
14'	33.6	9.2
16'	25.7	10.5

**Beam Distribution:** 36°  
**Spacing Criteria:** 0.63

### SQL6630KMVDWCLR

Designed for 50,000 Hour Lamp Life\*; LM-63 Test No. 84842

**Light Output (Fixture Delivered Lumens):** 3749  
**Total Watts@120V:** 44.4  
**Lumens Per Watt:** 84.4  
**Color Rendering Index (CRI)<sup>1</sup>:** 82  
**Color Temperature (CCT)<sup>2</sup>:** 3025K  
**Spectral Power Distribution Chart<sup>3</sup>**



#### Candlepower Summary

FROM 0	CANDELA	LUMENS
0	2248	
5	2256	218
15	2506	701
25	2356	1102
35	2448	1380
45	222	294
55	43	41
65	11	11
75	2	2
85	0	0
95	0	

#### Intensity Distribution

DISTANCE (FT.)	FOOTCANDLES (FC)	BEAM DIAMETER (FT.)
6'	62.4	8.9
8'	35.1	11.9
10'	22.5	14.9
12'	15.6	17.9
14'	11.5	20.8
16'	8.8	23.8

**Beam Distribution:** 80°  
**Spacing Criteria:** 1.19

1. Accuracy of rendering colors  
 2. Color appearance of light source  
 3. Colors present within the light source

\*Dependent on surrounding temperatures

# SQL6

## 6" Integrated LED Indoor and Outdoor Square Cylinders

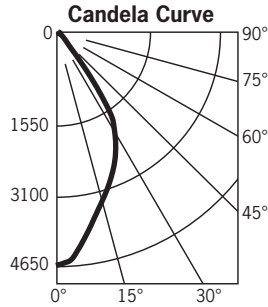
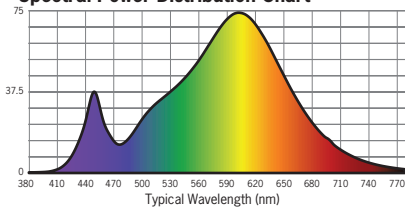
### Photometrics

CCT	STD CRI	HIGH CRI	SERIES 1	SERIES 2	SERIES 3	SERIES 4	SERIES 5	WHT/PL REFLECTORS
2700K	0.94	0.70	0.29	0.39	0.53	0.73	0.90	1.0
3000K	N/A	0.75	0.29	0.39	0.53	0.73	0.90	1.0
3500K	1.0	0.81	0.29	0.39	0.53	0.73	0.90	1.0
4000K	1.0	0.87	0.29	0.39	0.53	0.73	0.90	1.0

### SQL6630KMVDCPL

Designed for 50,000 Hour Lamp Life\*; LM-63 Test No. 85318

Light Output (Fixture Delivered Lumens): 3423  
 Total Watts@120V: 43.0  
 Lumens Per Watt: 79.6  
 Color Rendering Index (CRI)<sup>1</sup>: 82  
 Color Temperature (CCT)<sup>2</sup>: 3033K  
 Spectral Power Distribution Chart<sup>3</sup>



#### Candlepower Summary

FROM 0	CANDELA	LUMENS
0	4582	
5	4309	395
15	3376	949
25	2619	1194
35	1191	725
45	140	116
55	33	33
65	8	9
75	2	2
85	0	0
95	0	

#### Intensity Distribution

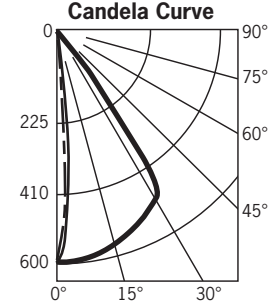
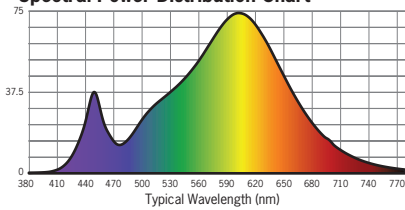
DISTANCE (FT.)	FOOTCANDLES (FC)	BEAM DIAMETER (FT.)
6'	127.3	4.8
8'	71.6	6.4
10'	45.8	8.0
12'	31.8	9.6
14'	23.4	11.3
16'	17.9	12.9

Beam Distribution: 57°  
 Spacing Criteria: 0.80

### SQL6630KMVDCXPB

Designed for 50,000 Hour Lamp Life\*; LM-63 Test No. G16122102

Light Output (Fixture Delivered Lumens): 95  
 Total Watts@120V: 42.3  
 Lumens Per Watt: 2.2  
 Color Rendering Index (CRI)<sup>1</sup>: 82  
 Color Temperature (CCT)<sup>2</sup>: 3033K  
 Spectral Power Distribution Chart<sup>3</sup>



0-deg - - - - -  
 45-deg - - - - -  
 90-deg - - - - -

#### Candlepower Summary

FROM 0	CANDELA	LUMENS
0	614	
5	601	51
15	575	103
25	530	92
35	267	54
45	2	1
55	1	1
65	0	0
75	0	0
85	0	0
95	0	

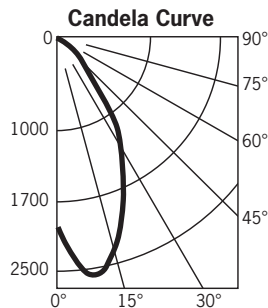
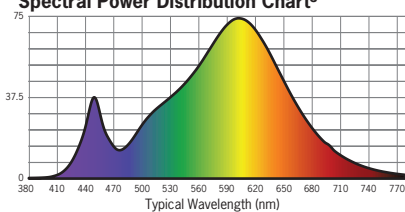
#### Intensity Distribution

DISTANCE (FT.)	FOOTCANDLES (FC)	BEAM DIAMETER (FT.)
6'	17.1	6.6 x 0.9
8'	9.6	8.8 x 1.2
10'	6.1	11.0 x 1.5
12'	4.3	13.2 x 1.7
14'	3.1	15.4 x 2.0
16'	2.4	17.6 x 2.4

### SQL6630KMVDCWW

Designed for 50,000 Hour Lamp Life\*; LM-63 Test No. G16122101

Light Output (Fixture Delivered Lumens): 1827  
 Total Watts@120V: 42.4  
 Lumens Per Watt: 43.1  
 Color Rendering Index (CRI)<sup>1</sup>: 82  
 Color Temperature (CCT)<sup>2</sup>: 3033K  
 Spectral Power Distribution Chart<sup>3</sup>



#### Candlepower Summary

FROM 0	CANDELA	LUMENS
0	2024	
5	2385	200
15	2352	454
25	1722	507
35	1021	381
45	479	200
55	276	114
65	118	51
75	28	15
85	3	3
95	0	

#### Intensity Distribution

DISTANCE (FT.)	FOOTCANDLES (FC)	BEAM DIAMETER (FT.)
6'	56.2	5.1 x 5.9
8'	31.6	6.8 x 7.9
10'	20.2	8.5 x 9.9
12'	14.1	10.2 x 11.9
14'	10.3	11.9 x 13.9
16'	7.9	13.7 x 15.9

1. Accuracy of rendering colors  
 2. Color appearance of light source  
 3. Colors present within the light source

\*Dependent on surrounding temperatures

# SQL6

## 6" Integrated LED Indoor and Outdoor Square Cylinders

### BUG Ratings

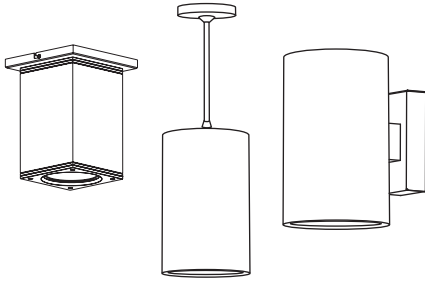
Valid for all mountings except **UD** (Up/Down) or **U** (Up)

Wattage	REFLECTOR SELECTION					
	Narrow	Medium	Wide	Platinum	Wall Wash*	Pencil Beam
SERIES 1/10W	B1 U0 G0	B1 U0 G0	B1 U0 G1	B1 U0 G1	B0 U0 G0	B0 U0 G0
SERIES 2/14W	B1 U0 G0	B2 U0 G0	B2 U0 G0	B2 U0 G0	B0 U0 G0	B0 U0 G0
SERIES 3/20W	B1 U0 G0	B2 U0 G0	B2 U0 G0	B2 U0 G0	B0 U0 G0	B0 U0 G0
SERIES 4/28W	B1 U0 G0	B2 U0 G0	B2 U0 G0	B2 U0 G0	B0 U0 G0	B0 U0 G0
SERIES 5/37W	B2 U0 G0	B3 U0 G0	B3 U0 G1	B3 U0 G1	B1 U0 G0	B0 U0 G0
SERIES 6/43W	B2 U0 G0	B3 U0 G0	B3 U0 G1	B3 U0 G1	B1 U0 G0	B0 U0 G0

\*WW rating based on reflector used as Forward Throw

For ConTech Lighting 6" and 8" Cylinders: **CYL6 Series, SQL6 Series and CYL8 Series**

- Incandescent 120VAC dimmers adjust the light with “forward phase control,” where the dimmer “chops” the forward part of the AC wave to deliver less or more power to the light source. No neutral wire connection required.
- Electronic low voltage 120VAC dimmers adjust the light with “reverse phase control,” where the dimmer “chops” the back part of the AC wave to deliver less or more power to the light source. Neutral wire connection required.
- 0-10V DC low voltage dimmers operate using two low voltage dimming wires that are separate from the 120V or 277V AC power. The dimmer sends a variable output voltage to the fixture based upon the dimming level. 10V corresponds to undimmed operation, 5V to 50% and so on. Switching on/off is controlled with the line voltage power (120V or 277V AC) input to the dimmer and then dimming operation is controlled with the 0-10V DC low voltage wiring connection between the dimmer and the LED driver. The control signal runs on two low voltage control wires (color coded violet and gray).
- Lutron HiLume and EcoSystem drivers provide continuous dimming from 1%-100%. For a complete list of compatible dimmers and controls, please visit [www.lutron.com](http://www.lutron.com)
- Use DALI approved controls for dimming eLdoLED MVD7 (1%-100%) and MVD9 (0.1%-100%) options.



			CYL6/SQL6/CYL8 Series*	CYL6/SQL6/CYL8 Series	CYL6/SQL6/CYL8 Series
			Dimming Options 12D, 27D, MVD Dimming Range	Dimming Options 12D6, 27D6, MVD6 Dimming Range	Dimming Options 12D8, 27D8, MVD8 Dimming Range
Manufacturer	Product	Model	Light Output	Light Output	Light Output
Leviton	IlumaTech	IPI06-1LZ	1%-100%	NA	NA
Leviton	SureSlide	6631-2	1%-100%	NA	NA
Leviton	Vizia	VPE06	9%-100%	NA	NA
Leviton	Trimatron	6683-IW	6%-100%	NA	NA
Leviton	Decora	6161	15%-100%	NA	NA
Leviton	SureSlide	6633-P	1%-100%	NA	NA
Leviton	IlumaTech	IPE04	6%-100%	NA	NA
Leviton	IlumaTech	IP710-DLX	NA	1%-100%	0.1%-100%
Cooper	Devine	DLC03P	1%-100%	NA	NA
Cooper	Skye	SLC03P	0%-100%	NA	NA
Cooper	Decorator	DAL06P	0%-100%	NA	NA
Pass & Seymour	Titan	CD4FB-W	NA	1%-100%	0.1%-100%
Synergy		ISD BC	NA	1%-100%	0.1%-100%
Watt Stopper	Miro Decorator	DCLV1	NA	1%-100%	0.1%-100%
Lutron	Ariadni	TGCL-153P	1%-100%	NA	NA
Lutron	Ariadni	TG-600P	13%-100%	NA	NA
Lutron	Diva	DVCL-153P	1%-100%	NA	NA
Lutron	Diva	DV600P	6%-100%	NA	NA
Lutron	Diva	DVELV303P	6%-100%	NA	NA
Lutron	Diva	DVTV	NA	1%-100%	0.1%-100%
Lutron	Faetra	FAELV500	12%-100%	NA	NA
Lutron	Lumea	LG600P	8%-100%	NA	NA
Lutron	Maestro	MAELV600	16%-100%	NA	NA
Lutron	Nova	NFTV	NA	1%-100%	0.1%-100%
Lutron	Nova T	NTFTV	NA	1%-100%	0.1%-100%
Lutron	Skylark	S-603PG	5%-96%	NA	NA
Lutron	Skylark	S600P	5%-100%	NA	NA
Lutron	Skylark	SELV300P	10%-100%	NA	NA
Lutron	Skylark	CT103P	9%-100%	NA	NA

\*277V Triac dimming is not available

Notes

1. Testing was performed with a single fixture connected to dimmer.
2. Testing has been performed on these dimmers, but this does not imply any warranty of compatibility.
3. Dimming performance can be influenced by different loads, as well as variations in dimmer switches within the same model.
4. Dimmer maximum load rating with LED may differ from published traditional source dimmer ratings. Consult manufacturer for maximum dimmer information.
5. Consult factory for additional dimming information.