

# STPBAM

## Wildlife Safe Amber LED Brick Step Series

### Specifications/Features

#### Housing

Energy efficient, Brick LED Steplights provide maintenance free illumination in excess of 50,000 hours  
 Suitable for interior or exterior applications  
 Constructed of high impact, weather resistant polycarbonate  
 Integral driver for simple wiring and easy installation  
 Durable, die-cast metal faceplate  
 Louver faceplate provides excellent cutoff.  
 Faceplate design is available in Bronze finish.

#### Lamp/Electrical

LED light module consists of (24) LEDs in Amber with integral LED driver circuit.  
 Wire lead length: 7" 18AWG lead wires  
 Total Wattage: 3W  
 Electrical Rating: 120-277V, 60Hz  
 Dimming not available

#### Mounting

Mounts into black, die-cast zinc housing, 3-1/8" H x 8-1/2" W x 3-1/4" D (included).  
 Through wiring with (3) 1" knockouts.  
 IP65 rated when used with housing provided.  
 Optional hanger bar mounting kit available.

#### Warranty

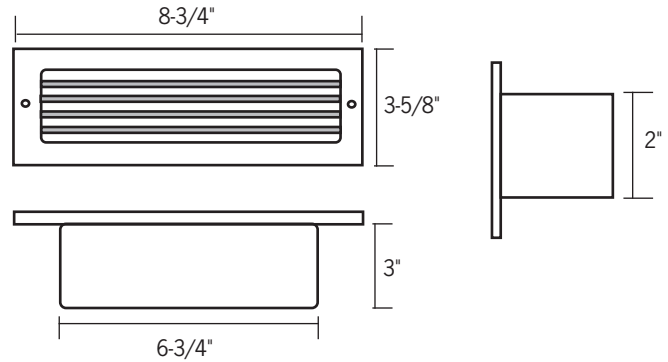
This complete fixture is covered by ConTech's full five (5) year replacement guarantee after date of purchase.

#### Listing

cULus listed. Suitable for wet locations.  
 Wildlife Lighting Certification Number 2018-026.  
 Wildlife and Sea Turtle friendly.



LH - Louver, Horizontal



### Ordering Information

Example Order:  -

Fixture	Color Temperature	Faceplate	Finish	Accessories
<input type="text" value="STPB"/>	<input type="text" value="AM - Amber"/>	<input type="text" value="LH - Louver, Horizontal"/>	<input type="text" value="BR - Bronze"/>	<input type="text" value="STPBHANGER - Hanger Bar Mounting Kit Set of two (2) hanger bars for mounting"/>

# STPBAM

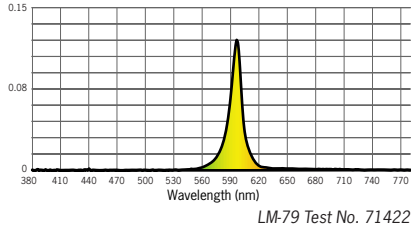
## Amber LED Brick Step Series

### Photometrics

#### STPBAMLH

Designed for 50,000 Hour Lamp Life

**Spectral Power Distribution Chart**



**Candela Curve**

