

STPE

Eclipse Series LED Step Light

Specifications/Features

Housing

Commercial grade compact LED Steplights provide maintenance free illumination in excess of 50,000 hours. Suitable for interior or exterior applications. Compact size and integral driver for simple wiring and easy installation into 2" x 4" junction boxes. Durable, die-cast aluminum faceplate. Four different faceplate options provide excellent cutoff, including a high-impact polycarbonate diffusion lens. Faceplate designs are available in Black, Brushed Nickel and White finishes.

Lamp/Electrical

LED light module consists of (12) LEDs in 3000K with integral LED driver circuit.
Wire lead length: 7"
Total Wattage: 2W
Electrical Rating: 100-240V AC, 60Hz
Dimming not available.
Emergency back-up, with 120V inverter system, by others.

Mounting

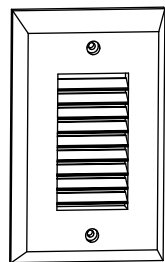
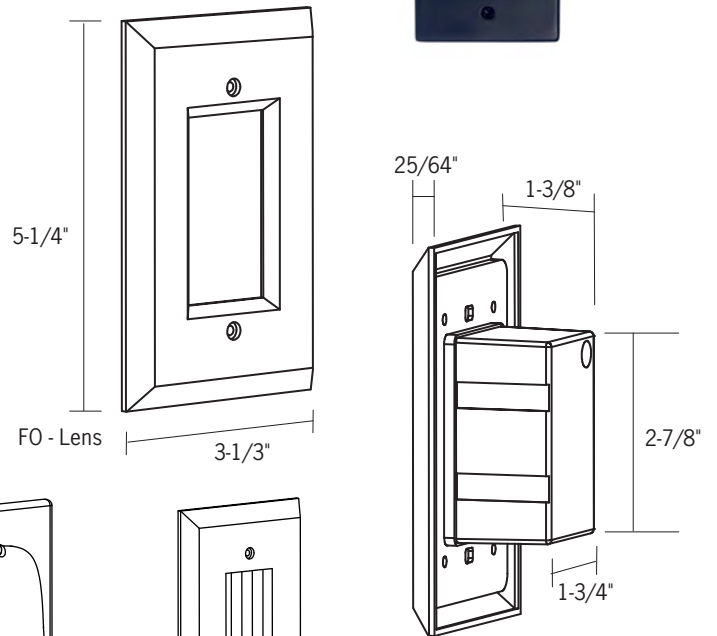
Fixture can be mounted to 2" x 4" junction box using the (2) mounting screws provided. Product is IP65 rated, includes a 2" x 4" gasket for exterior applications and for eliminating light leak.

Warranty

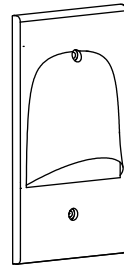
This complete fixture is covered by ConTech's full five (5) year replacement guarantee after date of purchase.

Listing

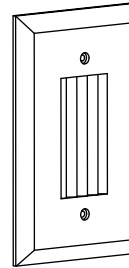
cETLus listed. Suitable for wet locations.



LV - Louver, Vertical



SC - Scoop



LH - Louver, Horizontal

Ordering Information

Example Order: -

Fixture	Color Temperature	Faceplate	Finish
<input type="text"/>	<input type="text"/>	<input type="text"/>	<input type="text"/>

STPE

WW - 3000K
Warm White

FO - Flat, Open Lens
LH - Louver, Horizontal
LV - Louver, Vertical
SC - Scoop

B - Black
NK - Brushed Nickel
P - White