

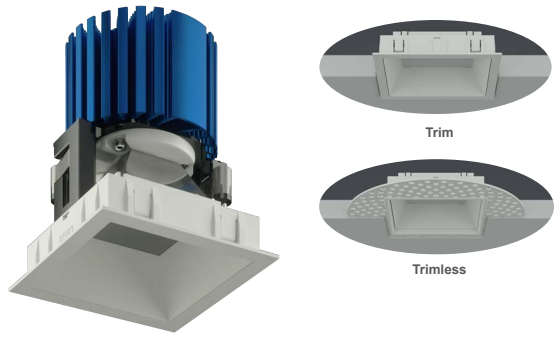
JOB NAME \_\_\_\_\_

CONTACT \_\_\_\_\_

ORDERING CODE \_\_\_\_\_



# NU3" Square Downlight Xicato



**DESCRIPTION**

The NU3QD 3" recessed downlight by ALPHABET offers multiple cutting edge LED technologies, premium performance, thoughtful construction and pleasing aesthetics. Offered standard with premium dimming using EldoLED 1% flicker free drivers 120V-277V universal voltage. Also offered 347V. Several beam angles available, plus an optional high-efficiency BrightView diffused lens for smooth light distribution and obscured LED image.

For the trim version, a minimalistic look is achieved with an ultrathin 1/16" trim that is only 5/16" wide. Color choices of both trim and bezel are offered for a customized look. For the trimless version, a perforated, mud up, regressed trim assembly provides for clean, trim free installation. Perforated mud frame's integrated lip helps guide the joint compound creating a sharp and clean opening.

**HOUSING**

Electrocoated 16-gauge cold-rolled steel provides enhanced structural reinforcement and rust prevention. Superior, UL-certified, injection-molded commercial-grade Lexan™ (PC) is used for the frame and regressed bezel trim. Lexan provides unmatched durability and impact resistance, and is tested for UV resistance and water exposure in outdoor applications. The thermally-advanced, anodized heat sink uses 6063 aluminum alloy. Wet location rated is offered standard. A 90-minute constant-power IOTA emergency battery backup is available.

**MOUNTING**

An advanced mounting system allows for quick and secure installation with LED and driver serviceability from below the ceiling. The LED assembly uses die-cast aluminum mounting clamp grips (MCG) that swing out to tighten onto variable ceiling thicknesses. Integrated rubber feet on each MCG provide a non-slip vibration-resistant installation. The hidden MCG system is accessible from below ceiling by removing the snap-in lens/bezel assembly with either the included suction cup or a screwdriver blade. Integrated bar hangers feature integral toothed nails, T-bar mounting slots with locking holes, tabs for joist positioning. Retrofit mounting option allows for installation from below ceiling by use of compact driver box. No risk damaging LED or bezel assembly during installation, these are installed during last steps. Fixture and driver are easily removed for servicing after install without damaging drywall.

MOUNTING DIMENSIONS	CEILING THICKNESS	CEILING CUTOUT	New Construction Bar Hangers (included)	Mounting Length: 14-3/4" to 26"
Trim	1/8" to 1-1/4"	3-1/4" square	Extension Kit p/n: K20266 (ordered separately, 1 per fixture)	Extends a pair of Bar Hangers Total Mounting Length: 29" to 48"
Trimless	3/8" to 1-3/4"	3-1/2" square		

- LISTINGS**
- ETLus Listed to UL1598, cETL Listed to CSA C22.2 #250.0
  - IP65 with lens - Suitable for wet locations with lens - Suitable for damp locations without lens
  - Non-conductive, Lexan dead-front construction
  - Made in the USA - meets the requirements of the Buy American provision within the ARRA

RATINGS / CERTIFICATIONS	NC	RET	IC	ICAT	CP
Type non-IC	✓	✓			
Type IC			✓	✓	✓
Chicago Plenum (CCEA)					✓
Suitable for air handling plenums				✓	✓
Reduced airflow (with lens) ASTM E283	✓	✓	✓	✓	✓

**LED INFO**

- SDCM = 1X2 MacAdam Ellipse, Duv +/- 0.001, Lumen Maintenance: L<sub>90</sub> > 55,000 hrs

XICATO XTM MODULE - ORDERING CODE		
<b>SERIES</b>	NU3	
<b>TYPE</b>	QD	square downlight
	QDT	square downlight trimless
<b>LED</b>	XTM19	Xicato XTM 19mm
<b>DELIVERED LUMENS</b>	07LM	610 lm
	10LM	870 lm
	13LM	1130 lm
	20LM <sup>1,3</sup>	1740 lm
	27LM <sup>1,3</sup>	2350 lm
<b>CCT</b>	27K	2700K
	B27K <sup>2</sup>	2700K beauty
	30K	3000K
	V30K	3000K vibrant
	35K	3500K
	40K	4000K
<b>CRI</b>	83	83 CRI
	98 <sup>3</sup>	98 CRI
<b>REFLECTOR &amp; LM MULTIPLIER</b>	HE60	60° high efficiency diffused lens (0.96)
	HE70	70° high efficiency diffused lens (0.93)
	HE80	80° high efficiency diffused lens (0.98)
	S55	55° specular with clear lens (1.00)
	D65	65° diffused with clear lens (0.98)
	WH80	80° brilliant white with clear lens (0.99)
<b>NO LENS OPTION</b>	NL <sup>5</sup>	no lens
<b>VOLTAGE</b>	120	120V
	UNV	120V-277V
	347 <sup>9</sup>	347V
<b>DIMMING</b>	DIM10 <sup>6</sup>	eldoLED flicker free 0-10V dimming to 1% eldoLED flicker free 0-10V dimming to 0% eldoLED flicker free DALI dimming to 1% eldoLED flicker free DALI dimming to 0% flicker free DMX dimming to 0% Lutron Hi-lume EcoSystem dimming to 1%, Soft-on & Fade-to-Black Lutron Hi-lume Premier EcoSystem dimming to 0.1%, Soft-on & Fade-to-Black leading & trailing edge dimming (Triac/ELV)
	DIM10Z <sup>6</sup>	
	DALI <sup>6</sup>	
	DALIZ <sup>6</sup>	
	DMXZ	
	LUT <sup>8</sup>	
	LUTP <sup>8</sup>	
ELV <sup>7</sup>		
<b>MOUNTING OPTIONS</b>	NC	new construction with ceiling fitting plate
	IC <sup>1</sup>	insulation contact housing
	ICAT <sup>1</sup>	insulation contact/airtight housing
	CP <sup>1</sup>	chicago plenum housing
	RET	retrofit, no ceiling fitting plate
<b>TRIM COLOR</b>	BK	black
	WH	white
	MC	matte chrome
	BZ	bronze
	WT	wheat
Not applicable to trimless option. Do not include in trimless ordering code.		
<b>BEZEL COLOR</b>	BK	black
	WH	white
	BZ	bronze
	WT	wheat
	MC	matte chrome
<b>ELECTRICAL OPTIONS</b>	EM7	emergency battery backup, 90 minutes at 7 watts to LED
	EM12 <sup>4</sup>	emergency battery backup, 90 minutes at 12 watts to LED

**ORDERING CODE** \_\_\_\_\_

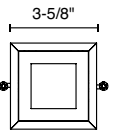
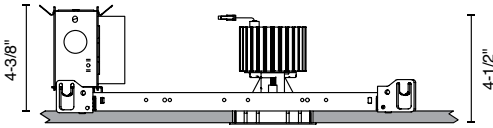
Follow the steps to specify your fixture, example:  
**NU3 - QD - XTM19 - 13LM - 35K - 98 - HE60 - 120 - DIM10 - NC - WH - WH - EM7**

XTM19 (LED)	POWER	
	W (83 CRI)	W (98 CRI)
DELIVERED LM		
610	10	11
870	12	15
1130	17	21
1740	26	N/A
2350	29	N/A

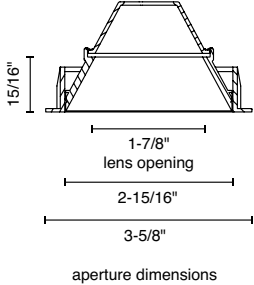
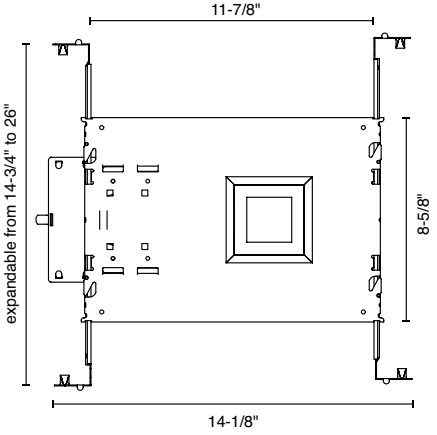
- Power Factor ≥ 0.9
- NOTES**
1. IC/ICAT/CP not available for 20LM and 27LM.
  2. B27K Beauty Series choose 98 CRI (actual 93). Available for 07LM, 10LM, 13LM only.
  3. 20LM and 27LM not available for 98CRI.
  4. EM12 not available for 83CRI in 07LM, 10LM or 13LM.
  5. No lens option available for S55, D65 or WH80 and is damp location rated.
  6. Driver uses logarithmic dimming curve as standard. For linear dimming curve add "LIN" after dimming code, i.e. DIM10LIN.
  7. Triac/ELV dimming not available in 07LM. Dimmable to < 10% in 10LM, 13LM, 120V only. Dimmable to < 1% in 20LM or 27LM.
  8. LUT/LUTP not available in 20LM or 27LM.
  9. DIM10 offered in 347V using a dedicated 347V Osram 0-10V 1% Driver. All other dimming options are offered in 347V using a miniature Step-Down Transformer integrated with the Electrical Box. Triac and ELV dimming are not available.

**MOUNTING OPTIONS**

**NC - NEW CONSTRUCTION TRIM**

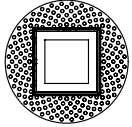
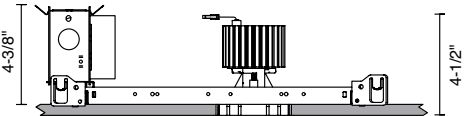


ceiling cutout  
3-1/4" square

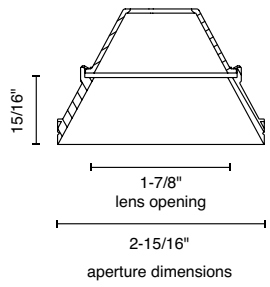
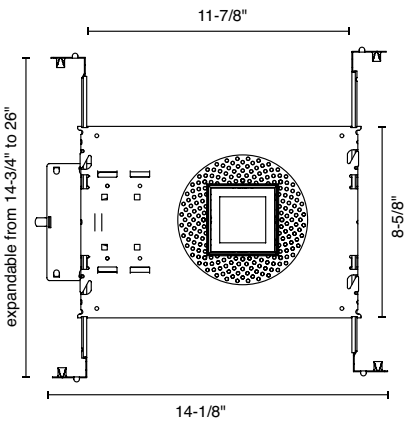


aperture dimensions

**NC - NEW CONSTRUCTION TRIMLESS**



ceiling cutout  
3-1/2" square



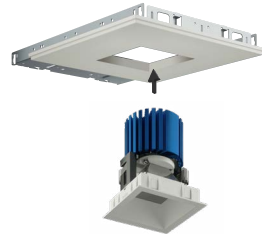
aperture dimensions



1. Fasten mud frame to ceiling.



2. Insert protective cover (included).  
Apply joint compound over the mud frame.



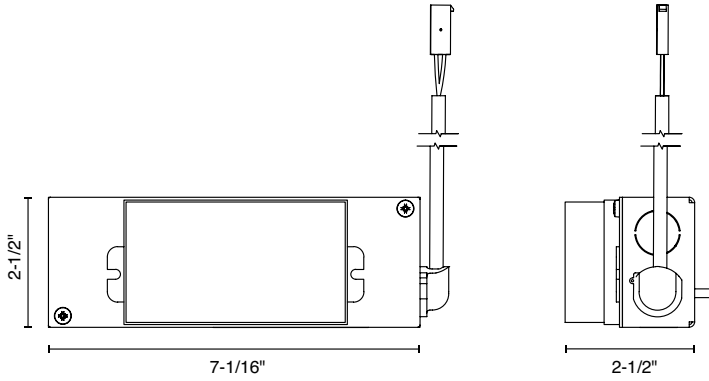
3. Install LED assembly.



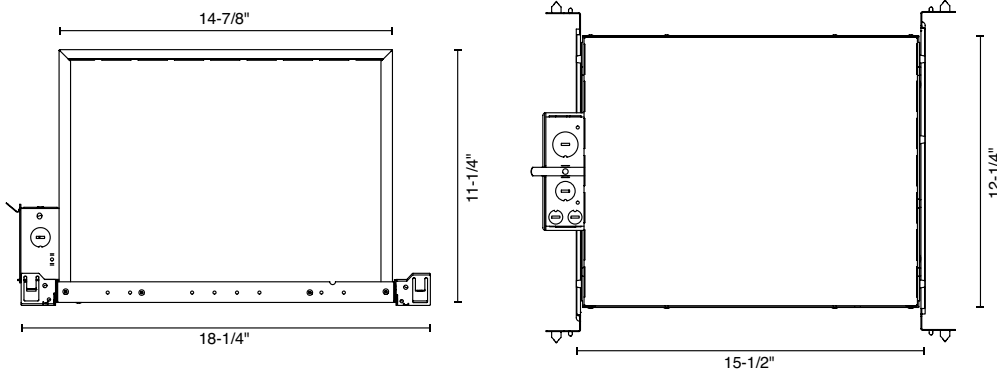
4. Install bezel.

**MOUNTING OPTIONS (CONTINUED)**

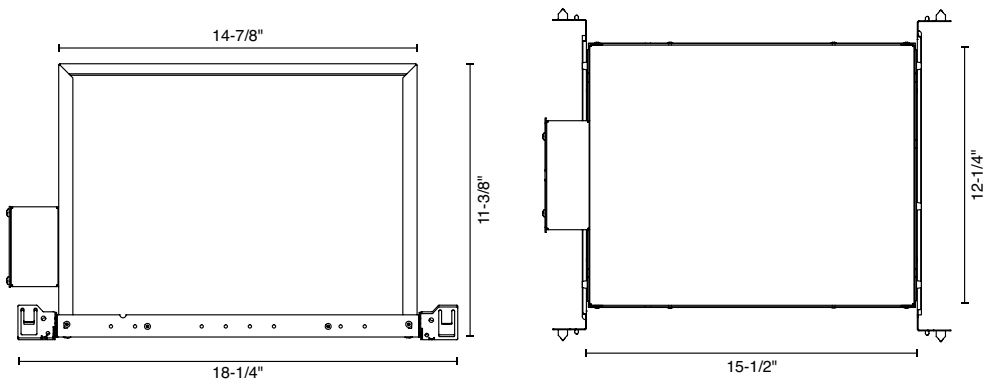
**RET - RETROFIT  
TRIM/TRIMLESS**



**IC - INSULATION CONTACT HOUSING  
TRIM/TRIMLESS**



**CP - CHICAGO PLENUM  
ICAT - INSULATION CONTACT / AIR TIGHT  
TRIM/TRIMLESS**





**ENERGY STAR - ORDERING CODE**

<b>SERIES</b>	NU3	
<b>TYPE</b>	QD QDT	square downlight square downlight trimless
<b>LED</b>	XTM19	Xicato XTM 19mm
<b>DELIVERED LUMENS</b>	10LM 13LM	870 lm 1130 lm
<b>CCT</b>	27K 30K 35K 40K	2700K 3000K 3500K 4000K
<b>CRI</b>	83 90	83 CRI 90 CRI
<b>REFLECTOR &amp; LM MULTIPLIER</b>	HE60 HE80 S55 WH80	60° high efficiency diffused lens (0.96) 80° high efficiency diffused lens (0.98) 55° specular with clear lens (0.97) 80° brilliant white with clear lens (0.99)
<b>VOLTAGE</b>	120 277	120V 277V
<b>DIMMING</b>	DIM10	eldoLED flicker free 0-10V dimming to 1%
<b>MOUNTING OPTIONS</b>	NC IC ICAT RET	new construction with ceiling fitting plate insulation contact housing insulation contact/airtight housing retrofit, no ceiling fitting plate
<b>TRIM COLOR</b>	WH	white Not applicable to trimless option. Do not include in trimless ordering code.
<b>BEZEL COLOR</b>	WH	white
<b>ENERGY STAR</b>	ES	energy star

**ORDERING CODE**

Follow the steps to specify your fixture, example:

NU3 - QD - XTM19 - 13LM - 27K - 90 - HE60 - 120 - DIM10 - IC - WH - WH - ES

**Zonal Lumen Summary**

Zone	Lumens	%Lamp	%Fixt
0-20	377.31	N.A.	34.40
0-30	684.78	N.A.	62.50
0-40	932.67	N.A.	85.10
0-60	1053.44	N.A.	96.10
0-80	1089.82	N.A.	99.50
0-90	1093.01	N.A.	99.80
10-90	982.64	N.A.	89.70
20-40	555.35	N.A.	50.70
20-50	643.82	N.A.	58.80
40-70	144.80	N.A.	13.20
60-80	36.37	N.A.	3.30
70-80	12.35	N.A.	1.10
80-90	3.19	N.A.	0.30
90-110	0.94	N.A.	0.10
90-120	1.35	N.A.	0.10
90-130	1.73	N.A.	0.20
90-150	2.31	N.A.	0.20
90-180	2.66	N.A.	0.20
110-180	1.72	N.A.	0.20
0-180	1095.67	N.A.	100.00

**Zonal Lumen Summary**

Zone	Lumens
0-10	110.37
10-20	266.95
20-30	307.46
30-40	247.89
40-50	88.46
50-60	32.31
60-70	24.03
70-80	12.35
80-90	3.19
90-100	0.50
100-110	0.44
110-120	0.41
120-130	0.37
130-140	0.32
140-150	0.26
150-160	0.19
160-170	0.12
170-180	0.04

Total Luminaire Efficiency = N.A. %

**Luminaire Data (cd/sq.m)**

Angle In Degrees	Average 0-Deg	Average 45-Deg	Average 90-Deg
45	14670	14670	14670
55	6117	6117	6117
65	5779	5779	5779
75	4407	4407	4407
85	3077	3077	3077

