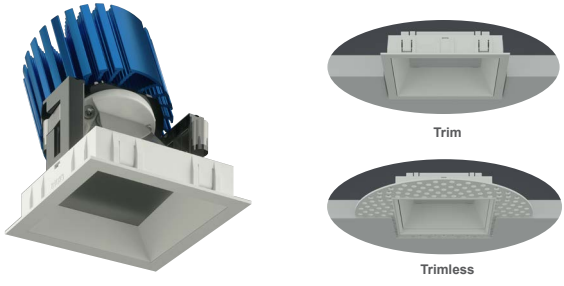


JOB NAME _____
CONTACT _____
ORDERING CODE _____

NU3" Square Wall wash Xicato

XICATO  **eldoLED**
your product | our drive



DESCRIPTION

The NU3QW 3" recessed wall wash by ALPHABET offers multiple cutting edge LED technologies, premium performance, thoughtful construction and pleasing aesthetics. Offered standard with premium dimming using EldoLED 1% flicker free drivers 120V-277V universal voltage. Also offered 347V. An asymmetric reflector with a highly-efficient BrightView angle-bending lens produces excellent wall washing with no scalloping.

For the trim version, a minimalistic look is achieved with an ultrathin 1/16" trim that is only 5/16" wide. Color choices of both trim and bezel are offered for a customized look. For the trimless version, a perforated, mud up, regressed trim assembly provides for clean, trim free installation. Perforated mud frame's integrated lip helps guide the joint compound creating a sharp and clean opening.

HOUSING

Electrocoated 16-gauge cold-rolled steel provides enhanced structural reinforcement and rust prevention. Superior, UL-certified, injection-molded commercial-grade Lexan™ (PC) is used for the frame and regressed bezel trim. Lexan provides unmatched durability and impact resistance, and is tested for UV resistance and water exposure in outdoor applications. The thermally-advanced, anodized heat sink uses 6063 aluminum alloy. Wet location rated is offered standard. A 90-minute constant-power IOTA emergency battery backup is available.

MOUNTING

An advanced mounting system allows for quick and secure installation with LED and driver serviceability from below the ceiling. The LED assembly uses die-cast aluminum mounting clamp grips (MCG) that swing out to tighten onto variable ceiling thicknesses. Integrated rubber feet on each MCG provide a non-slip vibration-resistant installation. The hidden MCG system is accessible from below ceiling by removing the snap-in lens/bezel assembly with either the included suction cup or a screwdriver blade. Integrated bar hangers feature integral toothed nails, T-bar mounting slots with locking holes, tabs for joist positioning. Retrofit mounting option allows for installation from below ceiling by use of compact driver box. No risk damaging LED or bezel assembly during installation, these are installed during last steps. Fixture and driver are easily removed for servicing after install without damaging drywall.

MOUNTING DIMENSIONS	CEILING THICKNESS	CEILING CUTOUT	New Construction Bar Hangers (included)	Mounting Length: 14-3/4" to 26"
Trim	1/8" to 1-1/4"	3-1/4" square	Extension Kit p/n: K20266 (ordered separately, 1 per fixture)	Extends a pair of Bar Hangers Total Mounting Length: 29" to 48"
Trimless	3/8" to 1-3/4"	3-1/2" square		

LISTINGS

- ETLus Listed to UL1598, cETL Listed to CSA C22.2 #250.0
- IP65 with lens - Suitable for wet locations with lens - Suitable for damp locations without lens
- Non-conductive, Lexan dead-front construction
- Made in the USA - meets the requirements of the Buy American provision within the ARRA

RATINGS / CERTIFICATIONS	NC	RET	IC	ICAT	CP
Type non-IC	✓	✓			
Type IC			✓	✓	✓
Chicago Plenum (CCEA)					✓
Suitable for air handling plenums				✓	✓
Reduced airflow (with lens) ASTM E283	✓	✓	✓	✓	✓

LED INFO

- SDCM = 1X2 MacAdam Ellipse, Duv +/- 0.001, Lumen Maintenance: L₉₀ > 55,000 hrs

XICATO XTM MODULE - ORDERING CODE

SERIES	NU3	
TYPE	QW QWT	square wall wash square wall wash trimless
LED	XTM19 Xicato XTM 19mm	
DELIVERED LUMENS	07LM 10LM 13LM 20LM ^{1,3} 27LM ^{1,3}	550 lm 790 lm 1030 lm 1570 lm 2120 lm
CCT	27K B27K ² 30K V30K 35K 40K	2700K 2700K beauty 3000K 3000K vibrant 3500K 4000K
CRI	83 98	83 CRI 98 CRI
REFLECTOR	WW	wall wash with diffused angle bending lens
VOLTAGE	120 UNV 347 ⁸	120V 120V-277V 347V
DIMMING	DIM10 ⁵ DIM10Z ⁵ DALI ⁵ DALIZ ⁵ DMXZ LUT ⁷ LUTP ⁷ ELV ⁶	eldoLED flicker free 0-10V dimming to 1% eldoLED flicker free 0-10V dimming to 0% eldoLED flicker free DALI dimming to 1% eldoLED flicker free DALI dimming to 0% flicker free DMX dimming to 0% Lutron Hi-lume EcoSystem dimming to 1%, Soft-on & Fade-to-Black Lutron Hi-lume Premier EcoSystem dimming to 0.1%, Soft-on & Fade-to-Black leading & trailing edge dimming (Triac/ELV)
MOUNTING OPTIONS	NC IC ¹ ICAT ¹ CP ¹ RET	new construction with ceiling fitting plate insulation contact housing insulation contact/airtight housing chicago plenum housing retrofit, no ceiling fitting plate
TRIM COLOR	BK WH MC BZ WT	black white matte chrome bronze wheat <small>Not applicable to trimless option. Do not include in trimless ordering code.</small>
BEZEL COLOR	BK WH MC BZ WT	black white matte chrome bronze wheat
ELECTRICAL OPTIONS	EM7 EM12 ⁴	emergency battery backup, 90 minutes at 7 watts to LED emergency battery backup, 90 minutes at 12 watts to LED

ORDERING CODE _____

Follow the steps to specify your fixture, example:
NU3 - QW - XTM19 - 13LM - 35K - 98 - WW - 120 - DIM10 - NC - WH - WH - EM7

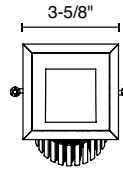
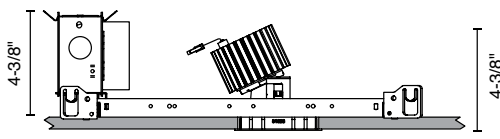
XTM19 (LED)	POWER	
	W (83 CRI)	W (98 CRI)
DELIVERED LM		
550	10	11
790	12	15
1030	17	21
1570	26	N/A
2120	29	N/A

Power Factor ≥ 0.9

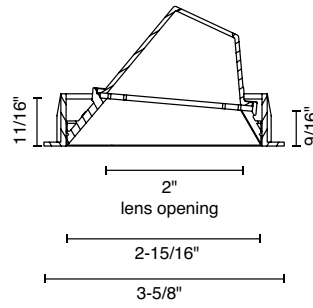
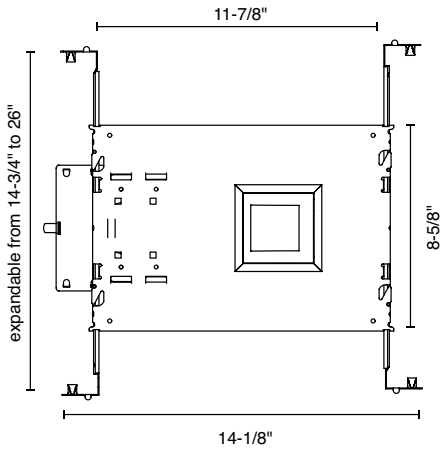
- NOTES
1. IC/ICAT/CP not available for 20LM and 27LM.
 2. B27K Beauty Series choose 98 CRI (actual 93). Available for 07LM, 10LM or 13LM only.
 3. 20LM and 27LM not available for 98CRI.
 4. EM12 not available for 83CRI in 07LM, 10LM or 13LM.
 5. Driver uses logarithmic dimming curve as standard. For linear dimming curve add *LIN* after dimming code, i.e. DIM10LIN.
 6. Triac/ELV dimming not available in 07LM. Dimmable to < 10% in 10LM, 13LM, 120V only. Dimmable to < 1% in 20LM or 27LM.
 7. LUT/LUTP not available in 20LM or 27LM.
 8. DIM10 offered in 347V using a dedicated 347V Osram 0-10V 1% Driver. All other dimming option are offered in 347V using a miniature Step-Down Transformer integrated with the Electrical Box. Triac and ELV dimming are not available

MOUNTING OPTIONS

NC - NEW CONSTRUCTION TRIM

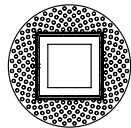
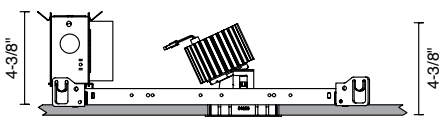


ceiling cutout
3-1/4" square

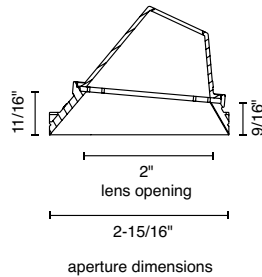
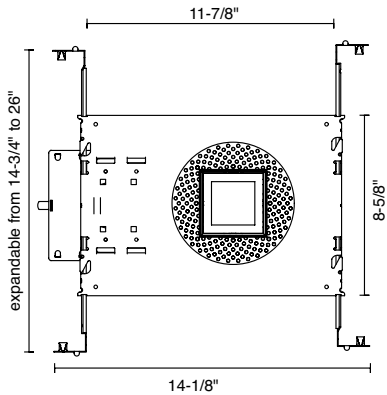


aperture dimensions

NC - NEW CONSTRUCTION TRIMLESS



ceiling cutout
3-1/2" square



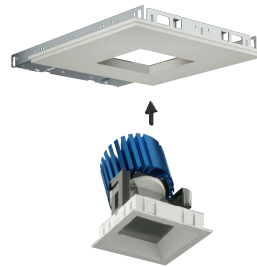
aperture dimensions



1. Fasten mud frame to ceiling.



2. Insert protective cover (included).
Apply joint compound over the mud frame.



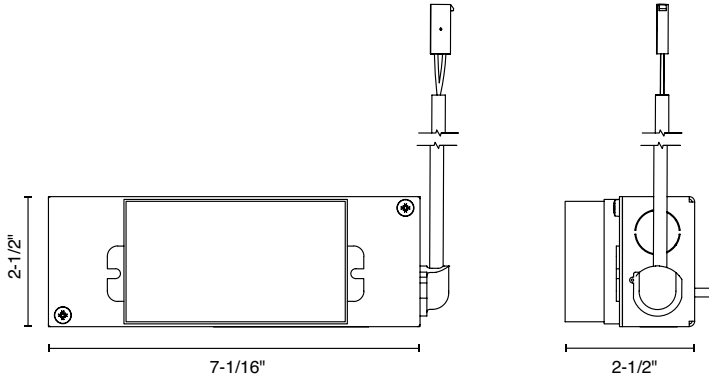
3. Install LED assembly.



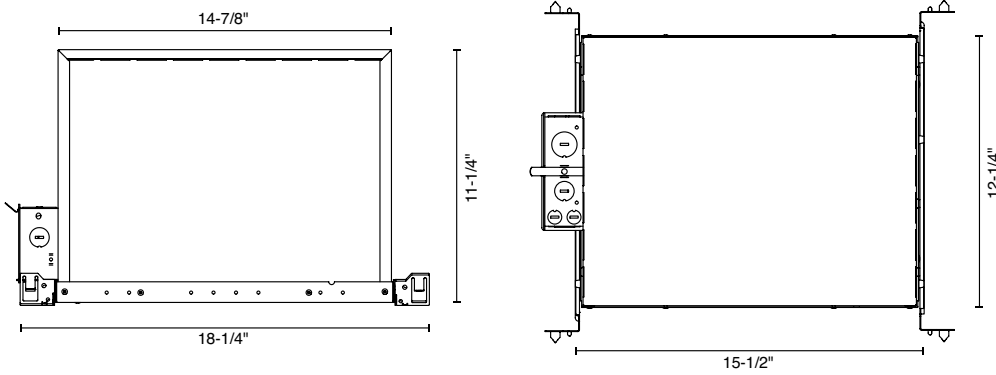
4. Install bezel.

MOUNTING OPTIONS (CONTINUED)

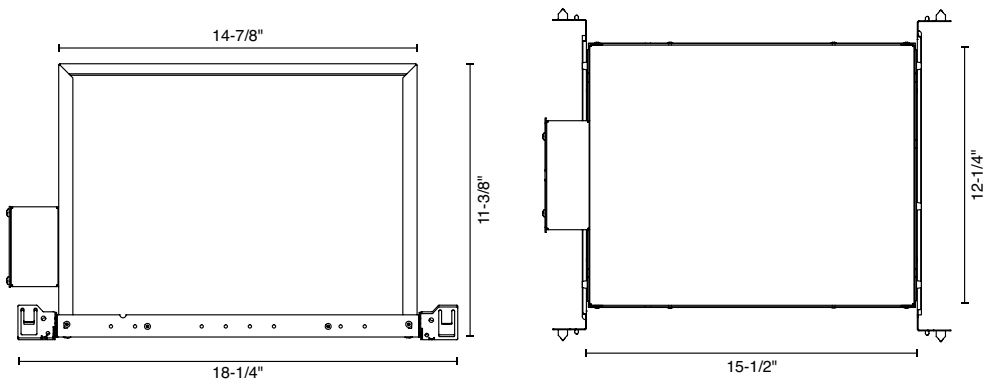
**RET - RETROFIT
TRIM/TRIMLESS**



**IC - INSULATION CONTACT HOUSING
TRIM/TRIMLESS**



**CP - CHICAGO PLENUM
ICAT - INSULATION CONTACT / AIR TIGHT
TRIM/TRIMLESS**





ENERGY STAR - ORDERING CODE

SERIES	NU3	
TYPE	QW QWT	square wall wash square wall wash trimless
LED	XTM19	Xicato XTM 19mm
DELIVERED LUMENS	10LM 13LM	790 lm 1030 lm
CCT	27K 30K 35K 40K	2700K 3000K 3500K 4000K
CRI	83 90	83 CRI 90 CRI
REFLECTOR	WW	wall wash with diffused angle bending lens
VOLTAGE	120 277	120V 277V
DIMMING	DIM10	eldoLED flicker free 0-10V dimming to 1%
MOUNTING OPTIONS	NC IC ICAT RET	new construction with ceiling fitting plate insulation contact housing insulation contact/airtight housing retrofit, no ceiling fitting plate
TRIM COLOR	WH	white Not applicable to trimless option. Do not include in trimless ordering code.
BEZEL COLOR	WH	white
ELECTRICAL OPTIONS	ES	energy star

ORDERING CODE

Follow the steps to specify your fixture, example:
NU3 - QW - XTM19 - 13LM - 27K - 90 - WW - 120 - DIM10 - IC - WH - WH - ES

Zonal Lumen Summary

Zone	Lumens	%Lamp	%Fixt
0-20	136.69	16.50	16.50
0-30	292.70	35.30	35.30
0-40	475.33	57.30	57.30
0-60	751.72	90.70	90.70
0-80	823.54	99.30	99.40
0-90	828.51	99.90	100.00
10-90	793.63	95.70	95.80
20-40	338.64	40.80	40.90
20-50	504.36	60.80	60.90
40-70	329.79	39.80	39.80
60-80	71.81	8.70	8.70
70-80	18.42	2.20	2.20
80-90	4.97	0.60	0.60
90-110	0.32	0.00	0.00
90-120	0.32	0.00	0.00
90-130	0.32	0.00	0.00
90-150	0.32	0.00	0.00
90-180	0.32	0.00	0.00
110-180	0.00	0.00	0.00
0-180	828.83	100.00	100.00

Zonal Lumen Summary

Zone	Lumens
0-10	34.88
10-20	101.80
20-30	156.01
30-40	182.63
40-50	165.72
50-60	110.68
60-70	53.39
70-80	18.42
80-90	4.97
90-100	0.32
100-110	0.00
110-120	0.00
120-130	0.00
130-140	0.00
140-150	0.00
150-160	0.00
160-170	0.00
170-180	0.00

Total Luminaire Efficiency = N.A. %

Luminance Data (cd/sq.m)

Angle In Degrees	Average 0-Deg	Average 45-Deg	Average 90-Deg
45	20375	39540	23915
55	8734	22017	8220
65	5101	5313	3579
75	2534	1921	1549
85	970	813	895

