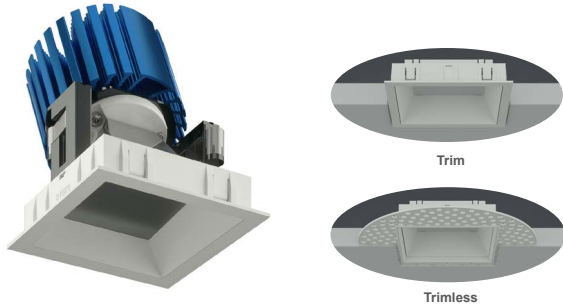


JOB NAME _____

CONTACT _____

ORDERING CODE _____

NU3" Square Wall Wash Tunable White



DESCRIPTION

The NU3QW-TW 3" recessed wall wash by ALPHABET offers economical and efficient, tunable CCT LED technology from Luminus or Nichia, premium performance, thoughtful construction and pleasing aesthetics. Available with optional Bluetooth controls or standard premium dimming using the EldoLED flicker-free driver with LightShape technology at 120V-277V universal voltage, or 347V. An asymmetric reflector with a highly-efficient BrightView angle-bending lens produces excellent wall washing with no scalloping. Optional integrated nLight® interface for Acuity Controls compatibility. Optional Casambi interface for Bluetooth® control. DALI and 0-10V compatible dimming.

For the trim version, a minimalistic look is achieved with an ultrathin 1/16" trim that is only 5/16" wide. Color choices of both trim and bezel are offered for a customized look. For the trimless version, a perforated, mud up, regressed trim assembly provides for clean, trim free installation. Perforated mud frame's integrated lip helps guide the joint compound creating a sharp and clean opening.

HOUSING

Electrocoated 16-gauge cold-rolled steel provides enhanced structural reinforcement and rust prevention. Superior, UL-certified, injection-molded commercial-grade Lexan™ (PC) is used for the frame and regressed bezel trim. Lexan provides unmatched durability and impact resistance, and is tested for UV resistance and water exposure in outdoor applications. The thermally-advanced, anodized heat sink uses 6063 aluminum alloy. Wet location rated is offered standard.

MOUNTING

For servicing the driver/j-box, access above ceiling is required. An advanced mounting system allows for quick and secure installation with LED and driver serviceability from below the ceiling. The LED assembly uses die-cast aluminum mounting clamp grips (MCG) that swing out to tighten onto variable ceiling thicknesses. Integrated rubber feet on each MCG provide a non-slip vibration-resistant installation. The hidden MCG system is accessible from below ceiling by removing the snap-in lens/bezel assembly with either the included suction cup or a screwdriver blade. Integrated bar hangers feature integral toothed nails, T-bar mounting slots with locking holes, tabs for joist positioning. No risk damaging LED or bezel assembly during installation, these are installed during last steps. Fixture and driver are easily removed for servicing after install without damaging drywall.

| MOUNTING DIMENSIONS | CEILING THICKNESS | CEILING CUTOUT | New Construction Bar Hangers (included) | Mounting Length: 14-3/4" to 26" |
|---------------------|-------------------|----------------|---|---|
| Trim | 1/8" to 1-1/4" | 3-1/4" square | Extension Kit p/n: K20266 (ordered separately, 1 per fixture) | Extends a pair of Bar Hangers Total Mounting Length: 29" to 48" |
| Trimless | 3/8" to 1-3/4" | 3-1/2" square | | |

LISTINGS

- ETLus Listed to UL1598, cETL Listed to CSA C22.2 #250.0
- IP65 with lens - Suitable for wet locations with lens - Suitable for damp locations without lens
- Non-conductive, Lexan dead-front construction
- Made in the USA - meets the requirements of the Buy American provision within the ARRA

| RATINGS / CERTIFICATIONS | NC |
|---------------------------------------|----|
| Type non-IC | ✓ |
| Type IC | |
| Chicago Plenum (CCEA) | |
| Suitable for air handling plenums | |
| Reduced airflow (with lens) ASTM E283 | ✓ |

LED INFO

- Luminus tunable white COB: 95 CRI, R9 > 70: SDCM = 4-step MacAdam Ellipse; Lumen Maintenance: L₇₀ > 54,000 hrs
- Nichia tunable white COB: 80 CRI, R9 > 0: SDCM = 3-step MacAdam Ellipse; Lumen Maintenance: L₉₀ > 33,000 hrs

LUMINUS TUNABLE WHITE - ORDERING CODE

| SERIES | NU3 | |
|------------------|---|--|
| TYPE | QW QWT | square wall wash square wall wash trimless |
| LED | TW Tunable White (Luminus) | |
| DELIVERED LUMENS | 07LM 460 lm 10LM 650 lm 13LM 870 lm 16LM 1040 lm 20LM 1300 lm | Calculated Delivered Lumens = [Delivered Lumen Value] x [CCT Multiplier] Standard Configuration: 3500K |
| CCT | 2765 | 2700K to 6500K tunable white |
| | CCT | 2700K 3000K 3500K 4000K 5000K 5700K 6500K |
| | CCT MULTIPLIER FOR LUMEN OUTPUT | 0.91 0.98 1.00 0.99 1.00 1.01 1.02 |
| | EML RATIO ² | 0.49 0.57 0.68 0.79 0.96 1.04 1.12 |
| CRI | 95 | 95 CRI max at 3500K, 90 CRI at 6500K |
| REFLECTOR | WW | wall wash with diffused angle bending lens |
| VOLTAGE | 120 UNV 347 ³ | 120V 120V-277V 347V |
| DIMMING | CAS NLT DIM10Z ¹ DALIZ | Casambi Bluetooth dimming to 0% nLight control interface: Standard Cat-5/RJ45 connection (female), dimming to 0% eldoLED flicker free 0-10V dimming to 0% eldoLED flicker free DALI dimming to 0% |
| MOUNTING OPTIONS | NC | new construction with ceiling fitting plate |
| TRIM COLOR | BK WH MC BZ WT | black white matte chrome bronze wheat Not applicable to trimless option. Do not include in trimless ordering code. |
| BEZEL COLOR | BK WH MC BZ WT | black white matte chrome bronze wheat |

ORDERING CODE _____

Follow the steps to specify your fixture, example:
NU3 - QW - TW - 13LM - 2765 - 95 - WW - 120 - CAS - NC - WH - WH

| LUMINUS (LED) | POWER |
|---------------|------------|
| DELIVERED LM | W (95 CRI) |
| 460 | 10 |
| 650 | 13 |
| 870 | 15 |
| 1040 | 19 |
| 1300 | 25 |

Power Factor ≥ 0.9

- NOTES**
1. Requires 2 wall controllers (see wiring diagram).
 2. EML = equivalent melanopic lux. To calculate EML, multiply the measured photopic lux by the EML ratio for the given CCT.
Example: 254 lux x 0.79 = 200 melanopic lux at 4000K.
 3. 347V offered using a miniature Step-Down Transformer integrated with the Electrical Box. Triac and ELV dimming are not available.

NICHIA TUNABLE WHITE - ORDERING CODE

| | | | | | | | | | | | | | | |
|--------------------------------------|---|--|-------|-------|-------|-------|-------|-------|------------------------|------|------|------|------|------|
| SERIES | NU3 | | | | | | | | | | | | | |
| TYPE | QW QWT | square wall wash square wall wash trimless | | | | | | | | | | | | |
| LED | TW | Tunable White (Nichia) | | | | | | | | | | | | |
| DELIVERED LUMENS | 13LM 16LM 20LM 25LM | 1050 lm 1300 lm 1600 lm 2000 lm <small>Calculated Delivered Lumens = [Delivered Lumen Value] x [CCT Multiplier] Standard Configuration: 3500K</small> | | | | | | | | | | | | |
| CCT | 2750 | 2700K to 5000K tunable white <table border="1"> <tr> <td>cct</td> <td>2700K</td> <td>3000K</td> <td>3500K</td> <td>4000K</td> <td>5000K</td> </tr> <tr> <td>EML RATIO²</td> <td>0.43</td> <td>0.51</td> <td>0.63</td> <td>0.69</td> <td>0.80</td> </tr> </table> | cct | 2700K | 3000K | 3500K | 4000K | 5000K | EML RATIO ² | 0.43 | 0.51 | 0.63 | 0.69 | 0.80 |
| cct | 2700K | 3000K | 3500K | 4000K | 5000K | | | | | | | | | |
| EML RATIO ² | 0.43 | 0.51 | 0.63 | 0.69 | 0.80 | | | | | | | | | |
| CRI | 80 | 80+ CRI | | | | | | | | | | | | |
| REFLECTOR & LM MULTIPLIER | WW | wall wash with diffused angle bending lens | | | | | | | | | | | | |
| VOLTAGE | 120 UNV 347³ | 120V 120V-277V 347V | | | | | | | | | | | | |
| DIMMING | CAS NLT DIM10Z¹ DALIZ | Casambi Bluetooth dimming to 0% nLight control interface: Standard Cat-5/RJ45 connection (female), dimming to 0% eldoLED flicker free 0-10V dimming to 0% eldoLED flicker free DALI dimming to 0% | | | | | | | | | | | | |
| MOUNTING OPTIONS | NC | new construction with ceiling fitting plate | | | | | | | | | | | | |
| TRIM COLOR | BK WH MC BZ WT | black white matte chrome bronze wheat <small>Not applicable to trimless option. Do not include in trimless ordering code.</small> | | | | | | | | | | | | |
| BEZEL COLOR | BK WH MC BZ WT | black white matte chrome bronze wheat | | | | | | | | | | | | |

ORDERING CODE

Follow the steps to specify your fixture, example:

NU3 - QW - TW - 13LM - 2750 - 80 - WW - 120 - CAS - NC - WH - WH

| NICHIA (LED) | POWER | |
|--------------|------------------|------------------|
| | W (80 CRI) 2700K | W (80 CRI) 5000K |
| 1050 | 15 | 12 |
| 1300 | 18 | 15 |
| 1600 | 22 | 18 |
| 2000 | 29 | 24 |

Power Factor ≥ 0.9

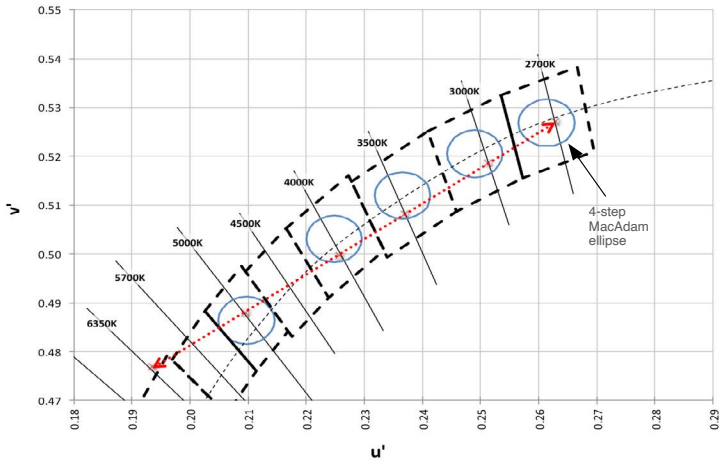
NOTES

- Requires 2 wall controllers (see wiring diagram).
- EML = equivalent melanopic lux. To calculate EML, multiply the measured photopic lux by the EML ratio for the given CCT.
Example: 290 lux x 0.69 = 200 melanopic lux at 4000K.
- 347V offered using a miniature Step-Down Transformer integrated with the Electrical Box. Triac and ELV dimming are not available.

TUNABLE WHITE

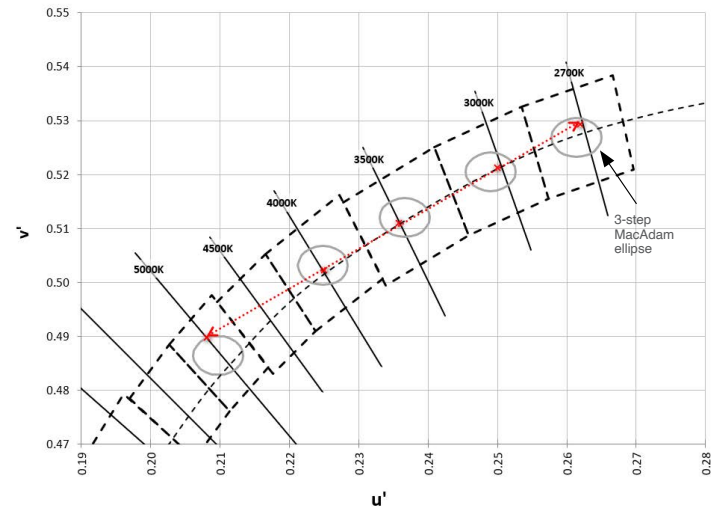
LUMINUS 95CRI

Chromaticity Coordinates (CIE 1976) & CCT range



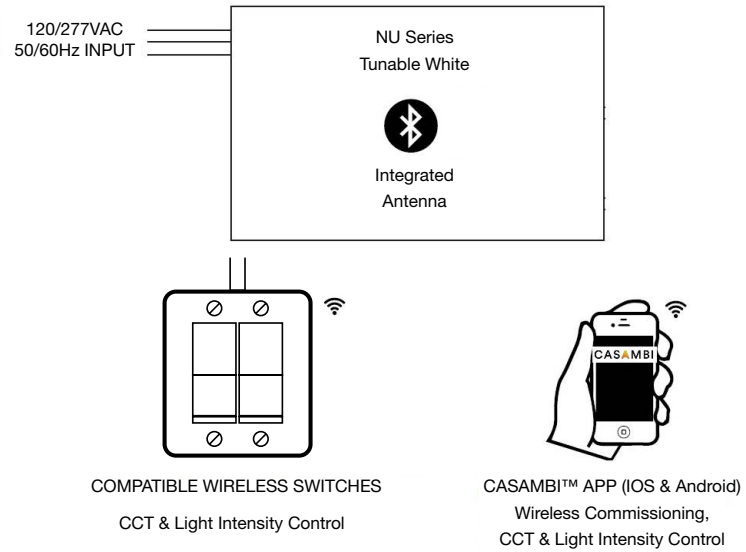
NICHIA 80CRI

Chromaticity Coordinates (CIE 1976) & CCT range

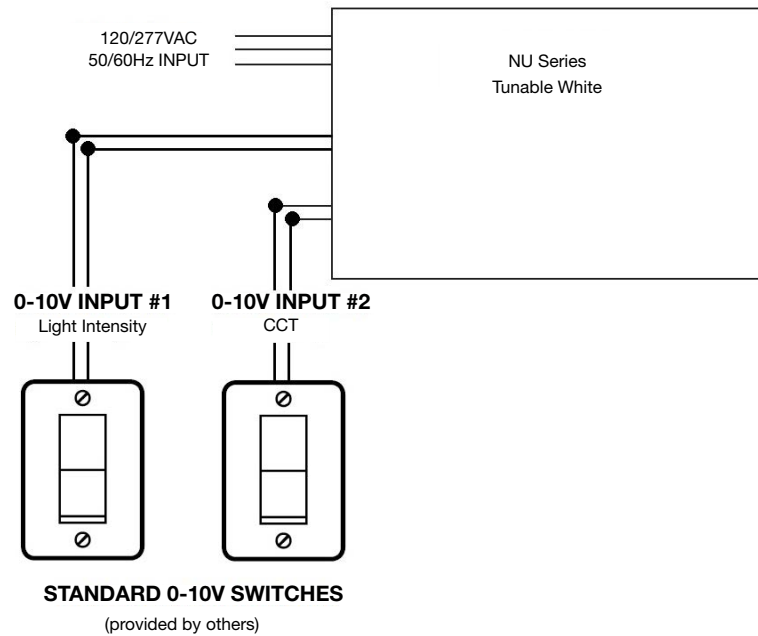


WIRING DIAGRAMS

"CAS" CASAMBI CONTROLS



"DIM10Z" HARDWIRED 0-10V CONTROL

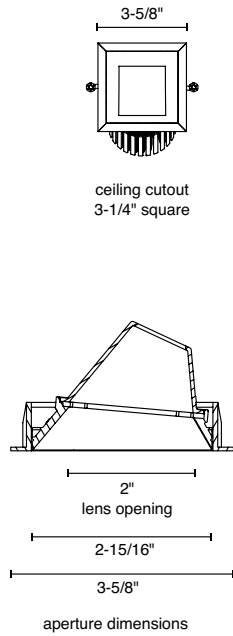
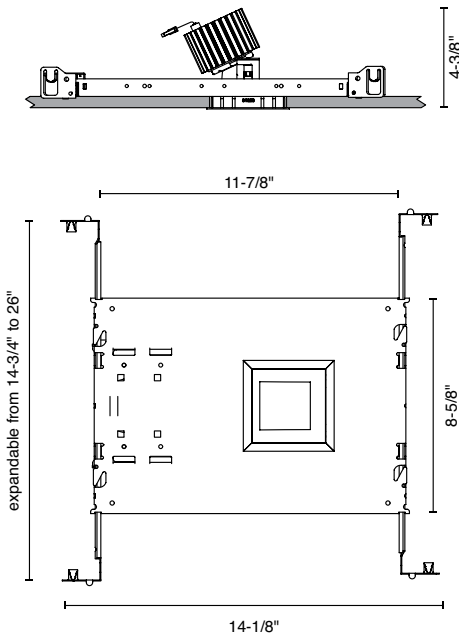


NOTES

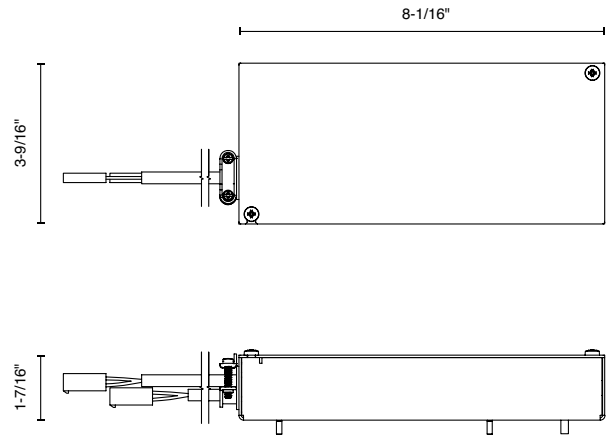
1 Consult factory to order compatible wireless switches.

MOUNTING OPTIONS

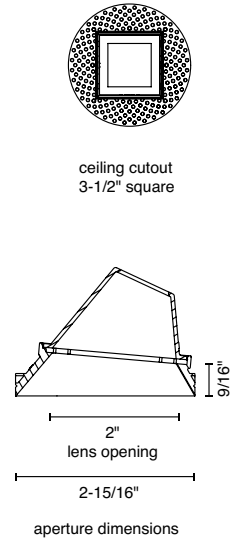
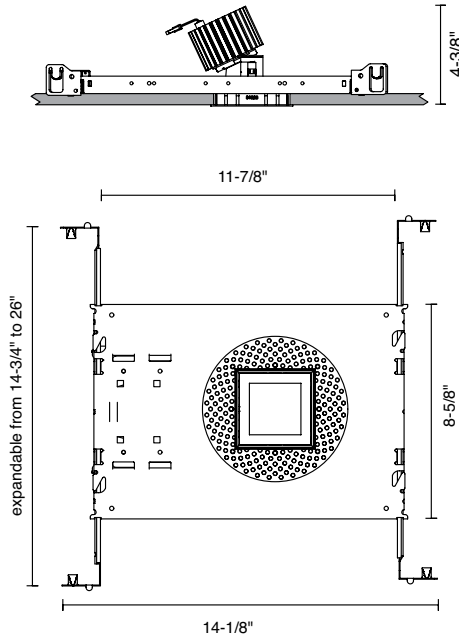
NC - NEW CONSTRUCTION TRIM



NC - DRIVER BOX SIZE TRIM/TRIMLESS



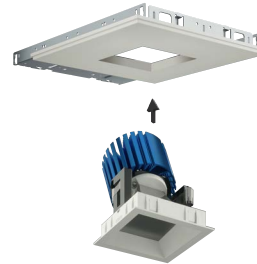
NC - NEW CONSTRUCTION TRIMLESS



1. Fasten mud frame to ceiling.



2. Insert protective cover (included).
Apply joint compound over the mud frame.



3. Install LED assembly.



4. Install bezel.

For servicing the driver/j-box, access above ceiling is required.

T-Bar type ceilings with removable adjacent tile access recommended. Hard lid ceilings may require access doors directly adjacent to luminaire.