



JOB NAME _____

CONTACT _____

ORDERING CODE _____

NU3" Round Downlight Xicato

XICATO



eldoLED
your product | our drive



DESCRIPTION

The NU3RD 3" recessed downlight by ALPHABET offers multiple cutting edge LED technologies, premium performance, thoughtful construction and pleasing aesthetics. Offered standard with premium dimming using EldoLED 1% flicker free drivers 120V-277V universal voltage. Also offered 347V. Several beam angles and LITEOPTICS available, plus an optional high-efficiency BrightView diffused lens for smooth light distribution and obscured LED image.

For the trim version, a minimalistic look is achieved with an ultrathin 1/16" trim that is only 5/16" wide. Color choices of both trim and bezel are offered for a customized look. For the trimless version, a perforated, mud up, regressed trim assembly provides for clean, trim free installation. Perforated mud frame's integrated lip helps guide the joint compound creating a sharp and clean opening.

HOUSING

Electrocoated 16-gauge cold-rolled steel provides enhanced structural reinforcement and rust prevention. Superior, UL-certified, injection-molded commercial-grade Lexan™ (PC) is used for the frame and regressed bezel trim. Lexan provides unmatched durability and impact resistance, and is tested for UV resistance and water exposure in outdoor applications. The thermally-advanced, anodized heat sink uses 6063 aluminum alloy. Wet location rated is offered standard. A 90-minute constant-power IOTA emergency battery backup is available.

MOUNTING

An advanced mounting system allows for quick and secure installation with LED and driver serviceability from below the ceiling. The LED assembly uses die-cast aluminum mounting clamp grips (MCG) that swing out to tighten onto variable ceiling thicknesses. Integrated rubber feet on each MCG provide a non-slip vibration-resistant installation. The hidden MCG system is accessible from below ceiling by removing the snap-in lens/bezel assembly with either the included suction cup or a screwdriver blade. Integrated bar hangers feature integral toothed nails, T-bar mounting slots with locking holes, tabs for joist positioning. Retrofit mounting option allows for installation from below ceiling by use of compact driver box. No risk damaging LED or bezel assembly during installation, these are installed during last steps. Fixture and driver are easily removed for servicing after install without damaging drywall.

MOUNTING DIMENSIONS	CEILING THICKNESS	CEILING CUTOUT	New Construction Bar Hangers (included)	Mounting Length: 14-3/4" to 26"
Trim	1/8" to 1-1/4"	3-3/8" diameter	Extension Kit p/n: K20266 (ordered separately, 1 per fixture)	Extends a pair of Bar Hangers Total Mounting Length: 29" to 48"
Trimless	3/8" to 1-3/4"	3-1/2" diameter		

LISTINGS

- ETLus Listed to UL 1598, cETL Listed to CSA C22.2 #250.0
- IP65 with lens - Suitable for wet locations with lens - Suitable for damp locations without lens
- Non-conductive, Lexan dead-front construction
- Made in the USA - meets the requirements of the Buy American provision within the ARRA

RATINGS / CERTIFICATIONS	NC	RET	IC	ICAT	CP
Type non-IC	✓	✓			
Type IC			✓	✓	✓
Chicago Plenum (CCEA)					✓
Suitable for air handling plenums				✓	✓
Reduced airflow (with lens) ASTM E283	✓	✓	✓	✓	✓

LED INFO

- SDCM = 1X2 MacAdam Ellipse, Duv +/- 0.001, Lumen Maintenance: L₉₀ > 55,000 hrs

XICATO XTM MODULE - ORDERING CODE

SERIES	NU3	
TYPE	RD RDT	round downlight round downlight trimless
LED	XTM19	Xicato XTM 19mm
DELIVERED LUMENS	07LM 10LM 13LM 20LM ^{1,3} 27LM ^{1,3}	570 lm 810 lm 1060 lm 1620 lm 2190 lm
CCT	27K B27K ² 30K V30K 35K 40K	2700K 2700K beauty 3000K 3000K vibrant 3500K 4000K
CRI	83 98	83 CRI 98 CRI
REFLECTOR & LM MULTIPLIER	HE45 HE60 HE80 S35 S50 D50 WH80	45° high efficiency diffused lens (0.94) 60° high efficiency diffused lens (0.96) 80° high efficiency diffused lens (0.98) 35° specular with clear lens (0.99) 50° specular with clear lens (1.00) 50° diffused with clear lens (0.92) 80° brilliant white with clear lens (0.99) (15° narrow beam angle, see page 2 for details.)
NO LENS OPTION	NL ⁵	no lens
ACCESSORIES	HCL ¹⁰	honeycomb louver
VOLTAGE	120 UNV 347 ⁹	120V 120V-277V 347V
DIMMING	DIM10 ^{6,9} DIM10Z ² DALI ⁶ DALIZ ⁶ LUT ⁸ LUTP ⁸ ELV ⁷	eldoLED flicker free 0-10V dimming to 1% eldoLED flicker free 0-10V dimming to 0% eldoLED flicker free DALI dimming to 1% eldoLED flicker free DALI dimming to 0% Lutron Hi-lume EcoSystem dimming to 1%, Soft-on & Fade-to-Black Lutron Hi-lume Premier EcoSystem dimming to 0.1%, Soft-on & Fade-to-Black leading & trailing edge dimming (Triac/ELV)
MOUNTING OPTIONS	NC IC ¹ ICAT ¹ CP ¹ RET	new construction with ceiling fitting plate insulation contact housing insulation contact/airtight housing chicago plenum housing retrofit, no ceiling fitting plate
TRIM COLOR	BK WH MC BZ WT	black white matte chrome bronze wheat Not applicable to trimless option. Do not include in trimless ordering code.
BEZEL COLOR	BK WH MC BZ WT	black white matte chrome bronze wheat
ELECTRICAL OPTIONS	EM7 EM12 ⁴	emergency battery backup, 90 minutes at 7 watts to LED emergency battery backup, 90 minutes at 12 watts to LED

ORDERING CODE

Follow the steps to specify your fixture, example:

NU3 - RD - XTM19 - 13LM - 35K - 98 - S50 - 120 - DIM10 - NC - WH - WH - EM7

XTM19 (LED)	POWER	
	W (83 CRI)	W (98 CRI)
DELIVERED LM		
570	10	11
810	12	15
1060	17	21
1620	26	N/A
2190	29	N/A

Power Factor ≥ 0.9

NOTES

1. IC/ICAT/CP not available for 20LM or 27LM.
2. B27K Beauty Series choose 98 CRI (actual 93). Available for 07LM, 10LM or 13LM only.
3. 20LM and 27LM not available for 98CRI.
4. EM12 not available for 83CRI in 07LM, 10LM or 13LM.
5. No lens option available for S35, S50, D50 or WH80 only, and is damp location rated.
6. Driver uses logarithmic dimming curve as standard. For linear dimming curve add "LIN" after dimming code, i.e. DIM10LIN.
7. Triac/ELV dimming not available in 07LM. Dimmable to < 10% in 10LM, 13LM, 120V only. Dimmable to < 1% in 20LM or 27LM.
8. LUT/LUTP not available in 20LM or 27LM.
9. DIM10 offered in 347V using a dedicated 347V Osram 0-10V 1% Driver; this requires above ceiling access for maintenance of the driver. For all other dimming options 347V is offered using a miniature Step-Down Transformer integrated with the Electrical Box. Triac and ELV dimming are not available.
10. HCL not available with lens. Multiply delivered lumens by (0.78) and beam spread by (0.80) when honeycomb louver is chosen.

15° NARROW BEAM - ORDERING CODE

SERIES	NU3	
TYPE	RD RDT	round downlight round downlight trimless
LED	XTM09	Xicato XTM 9mm
DELIVERED LUMENS	07LM 10LM 13LM 16LM	680 lm 930 lm 1220 lm 1460 lm
CCT	27K 30K V30K 35K 40K	2700K 3000K 3000K vibrant 3500K 4000K
CRI	83 98¹	83 CRI 98 CRI
REFLECTOR	S15	15° specular with clear lens
NO LENS OPTION	NL	no lens
ACCESSORIES	HCL⁸	honeycomb louver
VOLTAGE	120 UNV 347⁷	120V 120V-277V 347V
DIMMING	DIM10⁴ DIM10Z⁴ DALI⁴ DALIZ⁴ LUT⁵ LUTP⁵ ELV⁵	eldoLED flicker free 0-10V dimming to 1% eldoLED flicker free 0-10V dimming to 0% eldoLED flicker free DALI dimming to 1% eldoLED flicker free DALI dimming to 0% Lutron Hi-lume EcoSystem dimming to 1%, Soft-on & Fade-to-Black Lutron Hi-lume Premier EcoSystem dimming to 0.1%, Soft-on & Fade-to-Black leading & trailing edge dimming (Triac/ELV)
MOUNTING OPTIONS	NC IC² ICAT² CP² RET	new construction with ceiling fitting plate insulation contact housing insulation contact/airtight housing chicago plenum housing retrofit, no ceiling fitting plate
TRIM COLOR	BK WH MC BZ WT	black white matte chrome bronze wheat Not applicable to trimless option. Do not include in trimless ordering code.
BEZEL COLOR	BK WH MC BZ WT	black white matte chrome bronze wheat
ELECTRICAL OPTIONS	EM7 EM12³	emergency battery backup, 90 minutes at 7 watts to LED emergency battery backup, 90 minutes at 12 watts to LED

ORDERING CODE

Follow the steps to specify your fixture, example:

NU3 - RD - XTM09 - 13LM - 30K - 83 - S15 - 120 - DIM10 - NC - WH - WH - EM7

XTM09 (LED)	POWER	
	W (83 CRI)	W (98 CRI)
680	12	14
930	17	21
1220	24	31
1460	31	N/A

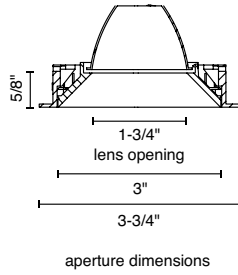
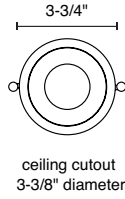
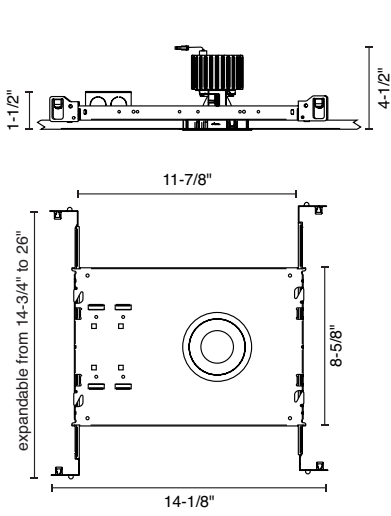
Power Factor ≥ 0.9

NOTES

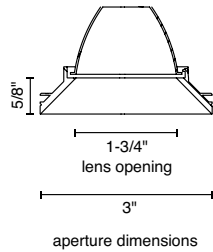
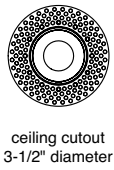
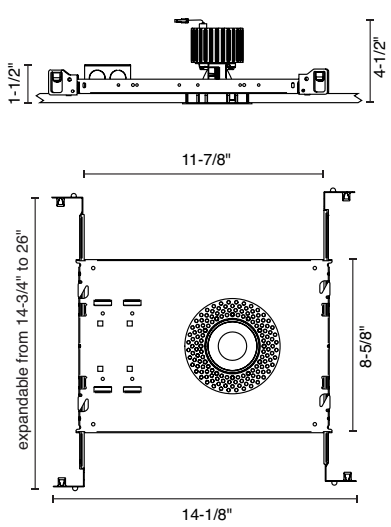
- 98 CRI not available for 16LM.
- IC/ICAT/CP not available for 83CRI & 98CRI in 07LM, 10LM, 13LM or 16LM.
- EM12 not available for 83CRI in 07LM or 10LM.
- Driver uses logarithmic dimming curve as standard. For linear dimming curve add "LIN" after dimming code, i.e. DIM10LIN.
- Triac/ELV dimming to < 10% in 120V only.
- LUT/LUTP not available in 13LM or 16LM.
- DIM10 offered in 347V using a dedicated 347V Osram 0-10V 1% Driver; this requires above ceiling access for maintenance of the driver. For all other dimming options 347V is offered using a miniature Step-Down Transformer integrated with the Electrical Box. Triac and ELV dimming are not available.
- HCL not available with lens. Multiply delivered lumens by (0.78) and beam spread by (0.80) when honeycomb louver is chosen.

MOUNTING OPTIONS

**NC - NEW CONSTRUCTION
TRIM**



**NC - NEW CONSTRUCTION
TRIMLESS**



1. Fasten mud frame to ceiling.



2. Insert protective cover (included).
Apply joint compound over the mud frame.



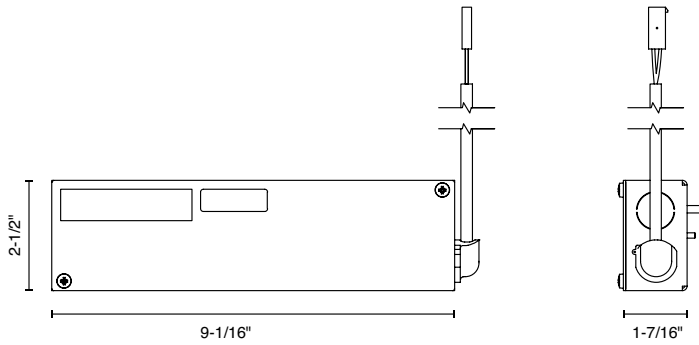
3. Install LED assembly.



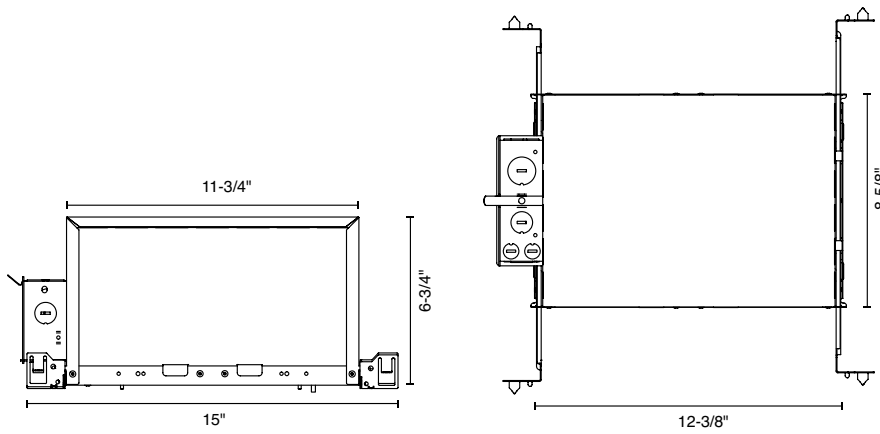
4. Install bezel.

MOUNTING OPTIONS (CONTINUED)

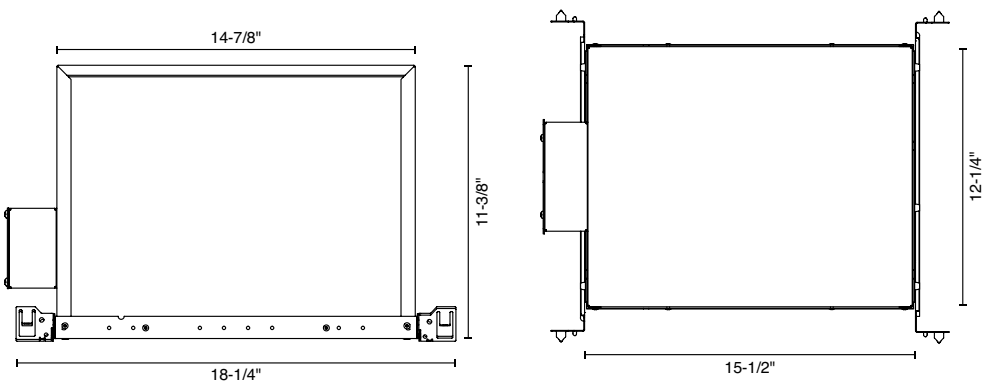
**RET - RETROFIT
TRIM/TRIMLESS**



**IC - INSULATION CONTACT HOUSING
TRIM/TRIMLESS**



**CP - CHICAGO PLENUM
ICAT - INSULATION CONTACT / AIR TIGHT
TRIM/TRIMLESS**





ENERGY STAR - ORDERING CODE

SERIES	NU3	
TYPE	RD RDT	round downlight round downlight trimless
LED	XTM19	Xicato XTM 19mm
DELIVERED LUMENS	10LM 13LM	810 lm 1060 lm
CCT	27K 30K 35K 40K	2700K 3000K 3500K 4000K
CRI	83 90	83 CRI 90 CRI
REFLECTOR & LM MULTIPLIER	HE45 HE60 HE80 S35 S50 WH80	45° high efficiency diffused lens (0.94) 60° high efficiency diffused lens (0.96) 80° high efficiency diffused lens (0.98) 35° specular with clear lens (0.99) 50° specular with clear lens (1.00) 80° brilliant white with clear lens (0.99)
VOLTAGE	120 277	120V 277V
DIMMING	DIM10	eldoLED flicker free 0-10V dimming to 1%
MOUNTING OPTIONS	NC IC ICAT RET	new construction with ceiling fitting plate insulation contact housing insulation contact/airtight housing retrofit, no ceiling fitting plate
TRIM COLOR	WH	white Not applicable to trimless option. Do not include in trimless ordering code.
BEZEL COLOR	WH	white
ENERGY STAR	ES	energy star

ORDERING CODE

Follow the steps to specify your fixture, example:

NU3 - RD - XTM19 - 13LM - 27K - 90 - S35 - 120 - DIM10 - IC - WH - WH - ES

Zonal Lumen Summary

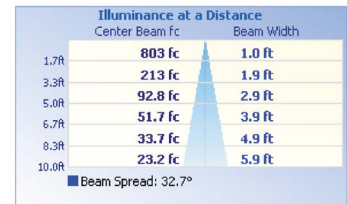
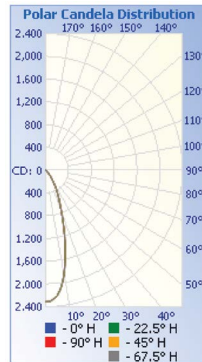
Zone	Lumens	%Lamp	%Fixt
0-20	519.87	56.90	56.80
0-30	756.57	82.90	82.70
0-40	873.57	95.70	95.50
0-60	904.76	99.10	98.90
0-80	914.06	100.10	99.90
0-90	915.03	100.20	100.00
10-90	728.58	79.80	79.60
20-40	353.71	38.70	38.70
20-50	376.56	41.20	41.20
40-70	37.97	4.20	4.10
60-80	9.30	1.00	1.00
70-80	2.52	0.30	0.30
80-90	0.97	0.10	0.10
90-110	0.03	0.00	0.00
90-120	0.03	0.00	0.00
90-130	0.03	0.00	0.00
90-150	0.03	0.00	0.00
90-180	0.03	0.00	0.00
110-180	0.00	0.00	0.00
0-180	915.07	100.20	100.00

Zonal Lumen Summary

Zone	Lumens
0-10	186.46
10-20	333.41
20-30	236.71
30-40	117.00
40-50	22.86
50-60	8.33
60-70	6.79
70-80	2.52
80-90	0.97
90-100	0.03
100-110	0.00
110-120	0.00
120-130	0.00
130-140	0.00
140-150	0.00
150-160	0.00
160-170	0.00
170-180	0.00

Luminance Data (cd/sq.m)

Angle In Degrees	Average 0-Deg	Average 45-Deg	Average 90-Deg
45	0	12943	9152
55	0	4382	3099
65	0	3015	2132
75	0	766	541
85	0	325	230



NU3-RD-XTM19-13LM-30K-83-S35-120-DIM10-RET-WH-WH-ES