

JOB NAME \_\_\_\_\_

CONTACT \_\_\_\_\_

ORDERING CODE \_\_\_\_\_

# NU3" Round Downlight SunLike



**DESCRIPTION**  
The NU3RD-SUN 3" recessed downlight by ALPHABET produces a spectrum that mimics natural sunlight for high quality light with Human Centric benefit and high EML ratios. Offered standard with premium dimming using EldoLED 1% flicker free drivers 120V-277V universal voltage. Also offered 347V. Several beam angles available, plus an optional high-efficiency BrightView diffused lens for smooth light distribution and obscured LED image.

For the trim version, a minimalistic look is achieved with an ultrathin 1/16" trim that is only 5/16" wide. Color choices of both trim and bezel are offered for a customized look. For the trimless version, a perforated, mud up, regressed trim assembly provides for clean, trim free installation. Perforated mud frame's integrated lip helps guide the joint compound creating a sharp and clean opening.

**HOUSING**  
Electrocoated 16-gauge cold-rolled steel provides enhanced structural reinforcement and rust prevention. Superior, UL-certified, injection-molded commercial-grade Lexan™ (PC) is used for the frame and regressed bezel trim. Lexan provides unmatched durability and impact resistance, and is tested for UV resistance and water exposure in outdoor applications. The thermally-advanced, anodized heat sink uses 6063 aluminum alloy. Wet location rated is offered standard. A 90-minute constant-power IOTA emergency battery backup is available.

**MOUNTING**  
An advanced mounting system allows for quick and secure installation with LED and driver serviceability from below the ceiling. The LED assembly uses die-cast aluminum mounting clamp grips (MCG) that swing out to tighten onto variable ceiling thicknesses. Integrated rubber feet on each MCG provide a non-slip vibration-resistant installation. The hidden MCG system is accessible from below ceiling by removing the snap-in lens/bezel assembly with either the included suction cup or a screwdriver blade. Integrated bar hangers feature integral toothed nails, T-bar mounting slots with locking holes, tabs for joist positioning. Retrofit mounting option allows for installation from below ceiling by use of compact driver box. No risk damaging LED or bezel assembly during installation, these are installed during last steps. Fixture and driver are easily removed for servicing after install without damaging drywall.

MOUNTING DIMENSIONS	CEILING THICKNESS	CEILING CUTOUT	New Construction Bar Hangers (included)	Mounting Length: 14-3/4" to 26"
Trim	1/8" to 1-1/4"	3-3/8" diameter	Extension Kit p/n: K20266 (ordered separately, 1 per fixture)	Extends a pair of Bar Hangers Total Mounting Length: 29" to 48"
Trimless	3/8" to 1-3/4"	3-1/2" diameter		

- LISTINGS**
- ETLus Listed to UL1598, cETL Listed to CSA C22.2 #250.0
  - IP65 with lens - Suitable for wet locations with lens - Suitable for damp locations without lens
  - Non-conductive, Lexan dead-front construction
  - Made in the USA - meets the requirements of the Buy American provision within the ARRA

RATINGS / CERTIFICATIONS	NC	RET	IC	ICAT	CP
Type non-IC	✓	✓			
Type IC			✓	✓	✓
Chicago Plenum (CEEA)					✓
Suitable for air handling plenums				✓	✓
Reduced airflow (with lens) ASTM E283	✓	✓	✓	✓	✓

**LED INFO**  
- Seoul Semiconductor SunLike Acrich MJT COB:  
97 CRI: SDCM = 3-step MacAdam Ellipse; Lumen Maintenance: L<sub>70</sub> > 49,500 hrs

ORDERING CODE																			
<b>SERIES</b>	<b>NU3</b>																		
<b>TYPE</b>	<b>RD</b> round downlight <b>RDT</b> round downlight trimless																		
<b>LED</b>	<b>SUN</b> SunLike (Seoul Semiconductor)																		
<b>DELIVERED LUMENS</b>	<b>07LM</b> 510 lm <b>10LM</b> 750 lm <b>13LM</b> 905 lm <b>20LM</b> 1440 lm Calculated Delivered Lumens = [Delivered Lumen Value] x [CCT Multiplier] x [Reflector Multiplier] Standard Configuration: 3000K S30																		
<b>CCT</b>	<table border="1"> <thead> <tr> <th>CCT</th> <th>2700K</th> <th>3000K</th> <th>3500K</th> <th>4000K</th> <th>5000K</th> </tr> </thead> <tbody> <tr> <td>CCT MULTIPLIER FOR LUMEN OUTPUT</td> <td>0.96</td> <td>1.00</td> <td>1.03</td> <td>1.08</td> <td>1.14</td> </tr> <tr> <td>EML RATIO<sup>5</sup></td> <td>N/A</td> <td>0.57</td> <td>0.67</td> <td>0.76</td> <td>0.87</td> </tr> </tbody> </table>	CCT	2700K	3000K	3500K	4000K	5000K	CCT MULTIPLIER FOR LUMEN OUTPUT	0.96	1.00	1.03	1.08	1.14	EML RATIO <sup>5</sup>	N/A	0.57	0.67	0.76	0.87
CCT	2700K	3000K	3500K	4000K	5000K														
CCT MULTIPLIER FOR LUMEN OUTPUT	0.96	1.00	1.03	1.08	1.14														
EML RATIO <sup>5</sup>	N/A	0.57	0.67	0.76	0.87														
<b>CRI</b>	<b>97</b> 97 CRI																		
<b>REFLECTOR &amp; LM MULTIPLIER</b>	<b>HE40</b> 40° high efficiency diffused lens (0.89) <b>HE50</b> 50° high efficiency diffused lens (0.89) <b>HE60</b> 60° high efficiency diffused lens (0.83) <b>S30</b> 30° specular with clear lens (1.00) <b>D60</b> 60° diffused with clear lens (0.93) <b>WH60</b> 60° brilliant white with clear lens (0.93)																		
<b>NO LENS OPTION</b>	<b>NL<sup>2</sup></b> no lens																		
<b>ACCESSORIES</b>	<b>HCL<sup>8</sup></b> honeycomb louver																		
<b>VOLTAGE</b>	<b>120 UNV</b> 120V <b>347<sup>7</sup></b> 120V-277V 347V																		
<b>DIMMING</b>	<b>DIM10<sup>3</sup></b> eldoLED flicker free 0-10V dimming to 1% <b>DIM10Z<sup>3</sup></b> eldoLED flicker free 0-10V dimming to 0% <b>DALI<sup>6</sup></b> eldoLED flicker free DALI dimming to 1% <b>DALIZ<sup>3</sup></b> eldoLED flicker free DALI dimming to 0% <b>LUT<sup>6</sup></b> Lutron Hi-lume EcoSystem dimming to 1%, <b>LUTP<sup>6</sup></b> Soft-on & Fade-to-Black Lutron Hi-lume Premier EcoSystem dimming to 0.1%, <b>ELV<sup>4</sup></b> Soft-on & Fade-to-Black leading & trailing edge (Triac/ELV) dimming to < 10% <b>ELV1<sup>4</sup></b> leading & trailing edge (Triac/ELV) dimming to 1%																		
<b>MOUNTING OPTIONS</b>	<b>NC</b> new construction with ceiling fitting plate <b>IC<sup>1</sup></b> insulation contact housing <b>ICAT<sup>1</sup></b> insulation contact/airtight housing <b>CP<sup>1</sup></b> chicago plenum housing <b>RET</b> retrofit, no ceiling fitting plate																		
<b>TRIM COLOR</b>	<b>BK</b> black <b>WH</b> white <b>MC</b> matte chrome <b>BZ</b> bronze <b>WT</b> wheat Not applicable to trimless option. Do not include in trimless ordering code.																		
<b>BEZEL COLOR</b>	<b>BK</b> black <b>WH</b> white <b>MC</b> matte chrome <b>BZ</b> bronze <b>WT</b> wheat																		
<b>ELECTRICAL OPTIONS</b>	<b>EM7</b> emergency battery backup, 90 minutes at 7 watts to LED <b>EM12</b> emergency battery backup, 90 minutes at 12 watts to LED																		

**ORDERING CODE** \_\_\_\_\_

Follow the steps to specify your fixture, example:  
**NU3 - RD - SUN - 13LM - 35K - 97 - HE40 - 120 - DIM10 - NC - WH - WH - EM7**

SEOUL (LED)	POWER
DELIVERED LM	W (97CRI)
510	9
750	13
905	16
1440	26

**Power Factor ≥ 0.9**

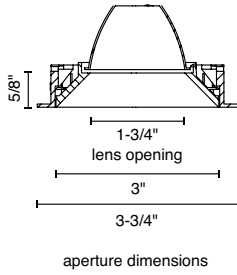
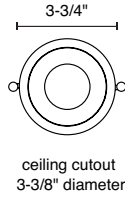
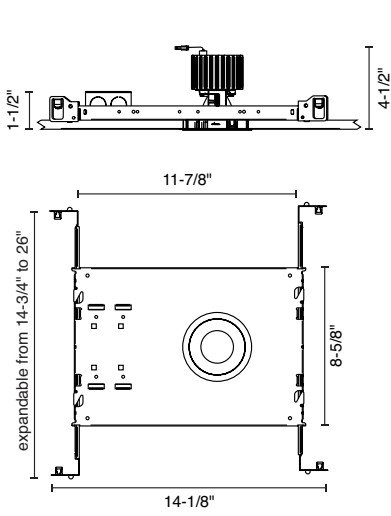
**NOTES**

1. IC/ICAT/CP not available in 20LM.
2. No lens option available for S30, D60, or WH60 and is damp location rated.
3. Driver uses logarithmic dimming curve as standard. For linear dimming curve add "LIN" after dimming code, i.e. DIM10LIN.
4. Triac/ELV dimming available in 120V only.
5. EML = equivalent melanopic lux. To calculate EML, multiply the measured photopic lux by the EML ratio for the given CCT. Example: 264 lux x 0.76 = 200 melanopic lux at 4000K.
6. LUT/LUTP not available in 20LM.
7. DIM10 offered in 347V using a dedicated 347V Osram 0-10V 1% Driver; this requires above ceiling access for maintenance of the driver. For all other dimming options 347V is offered using a miniature Step-Down Transformer integrated with the Electrical Box. Triac and ELV dimming are not available.
8. HCL not available with lens. Multiply delivered lumens by (0.78) and beam spread by (0.80) when honeycomb louver is chosen.

**MOUNTING OPTIONS**

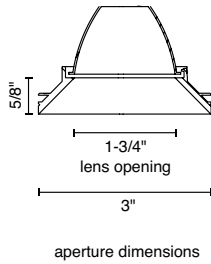
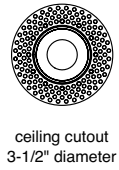
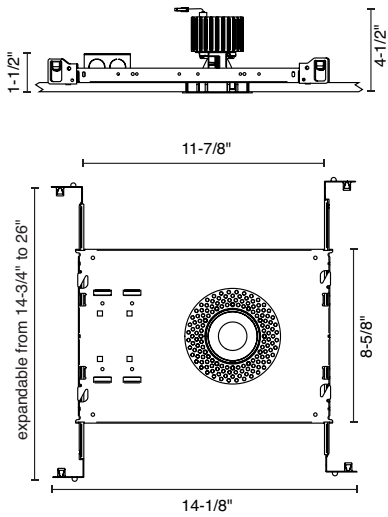
**NC - NEW CONSTRUCTION**

**TRIM**



**NC - NEW CONSTRUCTION**

**TRIMLESS**



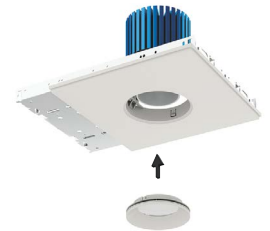
1. Fasten mud frame to ceiling.



2. Insert protective cover (included).  
Apply joint compound over the mud frame.



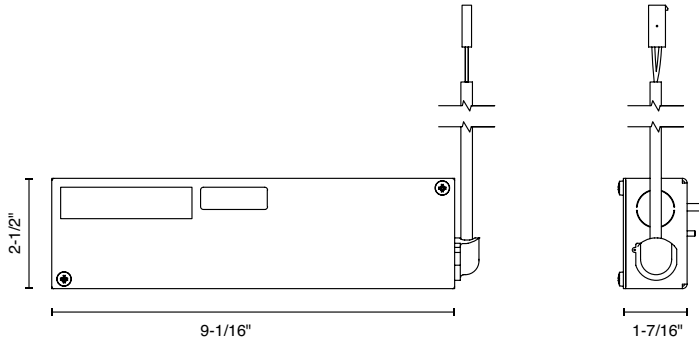
3. Install LED assembly.



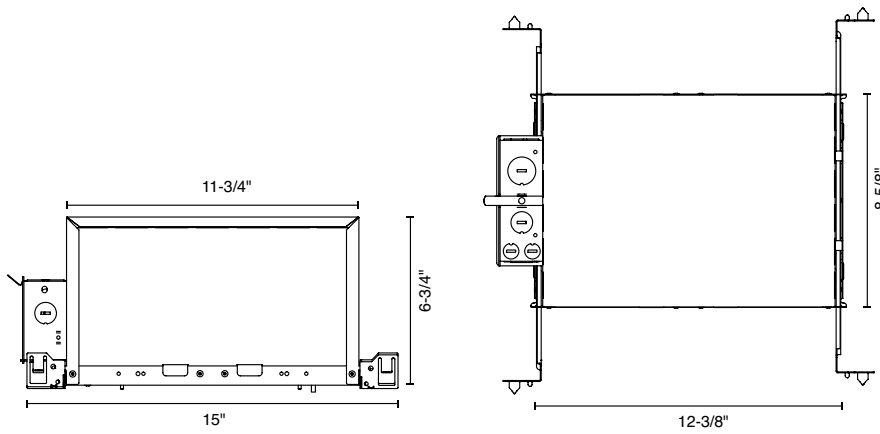
4. Install Bezel

**MOUNTING OPTIONS (CONTINUED)**

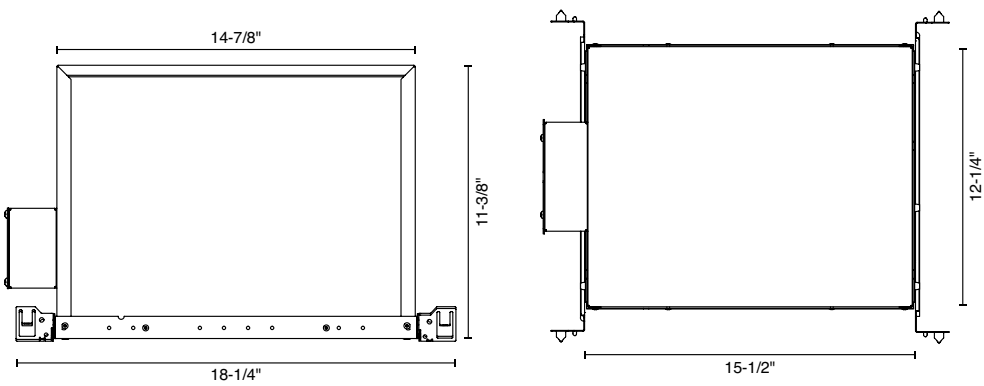
**RET - RETROFIT  
TRIM/TRIMLESS**



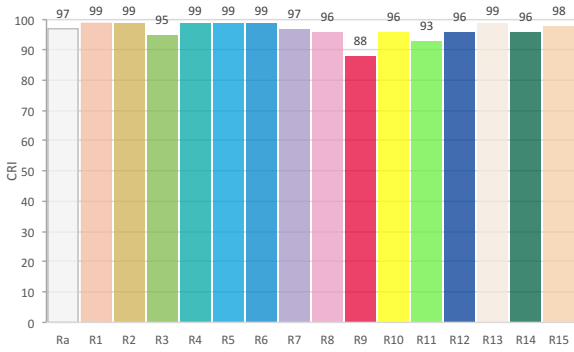
**IC - INSULATION CONTACT HOUSING  
TRIM/TRIMLESS**



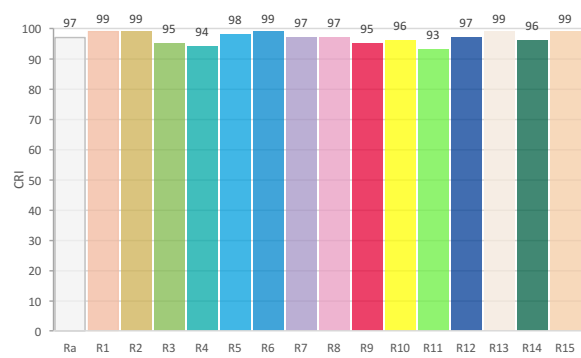
**CP - CHICAGO PLENUM  
ICAT - INSULATION CONTACT / AIR TIGHT  
TRIM/TRIMLESS**



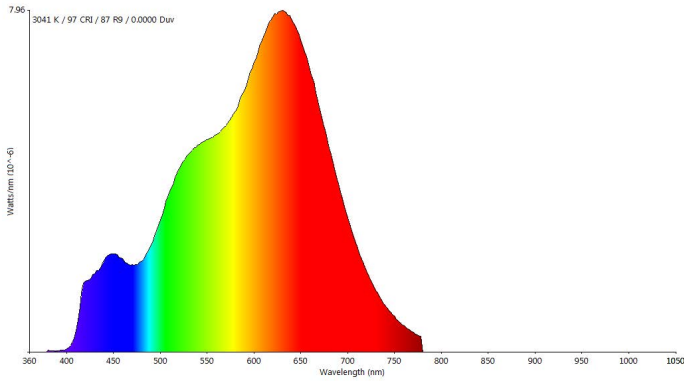
**SPECTRUM DATA**



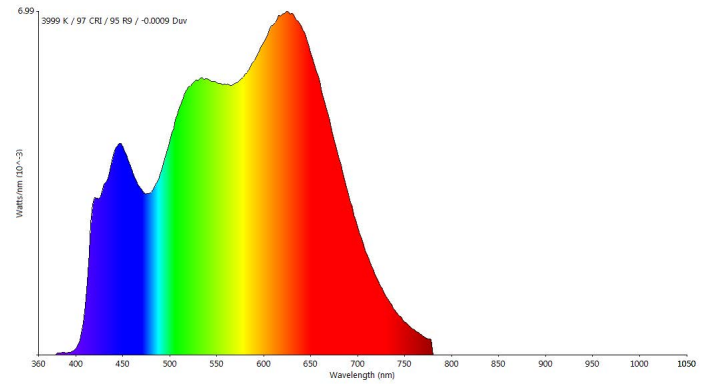
**3000K R-VALUES**



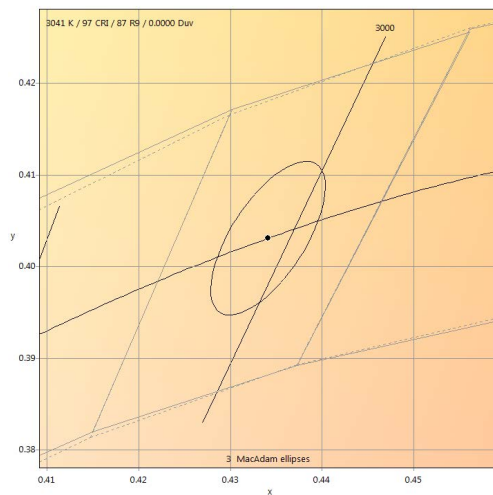
**4000K R-VALUES**



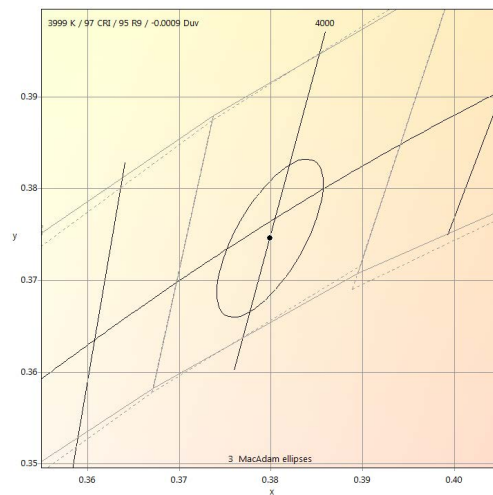
**SUNLIKE 3000K SPECTRUM**



**SUNLIKE 4000K SPECTRUM**



**3000K**



**4000K**