



JOB NAME \_\_\_\_\_

CONTACT \_\_\_\_\_

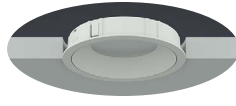
ORDERING CODE \_\_\_\_\_

# NU3" Round Wall Wash Xicato

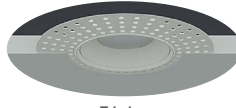
**XICATO**



**eldoLED**  
your product | our drive



Trim



Trimless

**DESCRIPTION**

The NU3RW 3" recessed wall wash by ALPHABET offers multiple cutting edge LED technologies, premium performance, thoughtful construction and pleasing aesthetics. Offered standard with premium dimming using EldoLED 1% flicker free drivers 120V-277V universal voltage. Also offered 347V. An asymmetric reflector with a highly-efficient BrightView angle-bending lens produces excellent wall washing with no scalloping.

For the trim version, a minimalistic look is achieved with an ultrathin 1/16" trim that is only 5/16" wide. Color choices of both trim and bezel are offered for a customized look. For the trimless version, a perforated, mud up, regressed trim assembly provides for clean, trim free installation. Perforated mud frame's integrated lip helps guide the joint compound creating a sharp and clean opening.

**HOUSING**

Electrocoated 16-gauge cold-rolled steel provides enhanced structural reinforcement and rust prevention. Superior, UL-certified, injection-molded commercial-grade Lexan™ (PC) is used for the frame and regressed bezel trim. Lexan provides unmatched durability and impact resistance, and is tested for UV resistance and water exposure in outdoor applications. The thermally-advanced, anodized heat sink uses 6063 aluminum alloy. Wet location rated is offered standard. A 90-minute constant-power IOTA emergency battery backup is available.

**MOUNTING**

An advanced mounting system allows for quick and secure installation with LED and driver serviceability from below the ceiling. The LED assembly uses die-cast aluminum mounting clamp grips (MCG) that swing out to tighten onto variable ceiling thicknesses. Integrated rubber feet on each MCG provide a non-slip vibration-resistant installation. The hidden MCG system is accessible from below ceiling by removing the snap-in lens/bezel assembly with either the included suction cup or a screwdriver blade. Integrated bar hangers feature integral toothed nails, T-bar mounting slots with locking holes, tabs for joist positioning. Retrofit mounting option allows for installation from below ceiling by use of compact driver box. No risk damaging LED or bezel assembly during installation, these are installed during last steps. Fixture and driver are easily removed for servicing after install without damaging drywall.

MOUNTING DIMENSIONS	CEILING THICKNESS	CEILING CUTOUT		
Trim	1/8" to 1-1/4"	3-3/8" diameter	New Construction Bar Hangers (included)	Mounting Length: 14-3/4" to 26"
Trimless	3/8" to 1-3/4"	3-1/2" diameter	Extension Kit p/n: K20266 (ordered separately, 1 per fixture)	Extends a pair of Bar Hangers Total Mounting Length: 29" to 48"

**LISTINGS**

- ETLus Listed to UL 1598, cETL Listed to CSA C22.2 #250.0
- IP65 with lens - Suitable for wet locations with lens - Suitable for damp locations without lens
- Non-conductive, Lexan dead-front construction
- Made in the USA - meets the requirements of the Buy American provision within the ARRA

RATINGS / CERTIFICATIONS	NC	RET	IC	ICAT	CP
Type non-IC	✓	✓			
Type IC			✓	✓	✓
Chicago Plenum (CCEA)					✓
Suitable for air handling plenums				✓	✓
Reduced airflow (with lens) ASTM E283	✓	✓	✓	✓	✓

**LED INFO**

- SDCM = 1X2 MacAdam Ellipse, Duv +/- 0.001, Lumen Maintenance: L<sub>90</sub> > 55,000 hrs

**XICATO XTM MODULE - ORDERING CODE**

<b>SERIES</b>	<b>NU3</b>	
<b>TYPE</b>	<b>RW</b>	round wall wash
	<b>RWT</b>	round wall wash trimless
<b>LED</b>	<b>XTM19</b>	Xicato XTM 19mm
<b>DELIVERED LUMENS</b>	<b>07LM</b>	570 lm
	<b>10LM</b>	810 lm
	<b>13LM</b>	1050 lm
	<b>20LM<sup>1,3</sup></b>	1620 lm
	<b>27LM<sup>1,3</sup></b>	2180 lm
<b>CCT</b>	<b>27K</b>	2700K
	<b>B27K<sup>2</sup></b>	2700K beauty
	<b>30K</b>	3000K
	<b>V30K</b>	3000K vibrant
	<b>35K</b>	3500K
	<b>40K</b>	4000K
<b>CRI</b>	<b>83</b>	83 CRI
	<b>98<sup>3</sup></b>	98 CRI
<b>REFLECTOR</b>	<b>WW</b>	wall wash with diffused angle bending lens
<b>VOLTAGE</b>	<b>120</b>	120V
	<b>UNV</b>	120V-277V
	<b>347<sup>5</sup></b>	347V
<b>DIMMING</b>	<b>DIM10<sup>5</sup></b>	eldoLED flicker free 0-10V dimming to 1%
	<b>DIM10Z<sup>5</sup></b>	eldoLED flicker free 0-10V dimming to 0%
	<b>DAL1<sup>5</sup></b>	eldoLED flicker free DALI dimming to 1%
	<b>DALIZ<sup>5</sup></b>	eldoLED flicker free DALI dimming to 0%
	<b>LUT<sup>7</sup></b>	Lutron Hi-lume EcoSystem dimming to 1%, Soft-on & Fade-to-Black
	<b>LUTP<sup>7</sup></b>	Lutron Hi-lume Premier EcoSystem dimming to 0.1%, Soft-on & Fade-to-Black
	<b>ELV<sup>6</sup></b>	leading & trailing edge dimming (Triac/ELV)
<b>MOUNTING OPTIONS</b>	<b>NC</b>	new construction with ceiling fitting plate
	<b>IC<sup>1</sup></b>	insulation contact housing
	<b>ICAT<sup>1</sup></b>	insulation contact/airtight housing
	<b>CP<sup>1</sup></b>	chicago plenum housing
	<b>RET</b>	retrofit, no ceiling fitting plate
<b>TRIM COLOR</b>	<b>BK</b>	black
	<b>WH</b>	white
	<b>MC</b>	matte chrome
	<b>BZ</b>	bronze
	<b>WT</b>	wheat
	Not applicable to trimless option. Do not include in trimless ordering code.	
<b>BEZEL COLOR</b>	<b>BK</b>	black
	<b>WH</b>	white
	<b>MC</b>	matte chrome
	<b>BZ</b>	bronze
	<b>WT</b>	wheat
<b>ELECTRICAL OPTIONS</b>	<b>EM7</b>	emergency battery backup, 90 minutes at 7 watts to LED
	<b>EM12<sup>4</sup></b>	emergency battery backup, 90 minutes at 12 watts to LED

**ORDERING CODE** \_\_\_\_\_

Follow the steps to specify your fixture, example:  
**NU3 - RW - XTM19 - 13LM - 35K - 98 - WW - 120 - DIM10 - IC - WH - WH - EM7**

XTM19 (LED)	POWER	
	DELIVERED LM	W (83 CRI)
570	10	11
810	12	15
1050	17	21
1620	26	N/A
2180	29	N/A

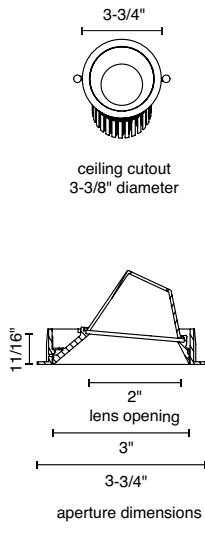
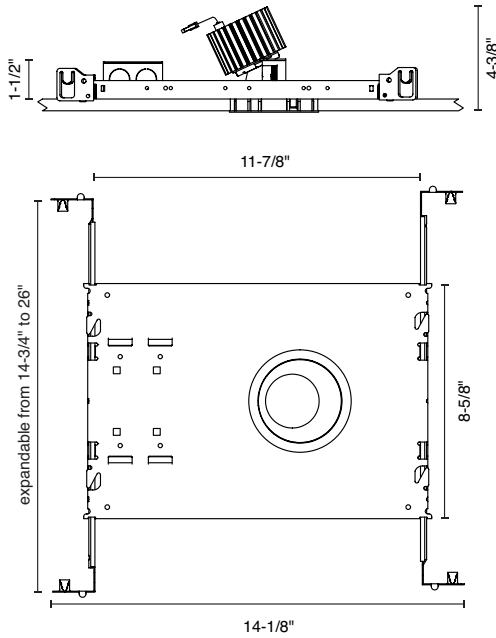
Power Factor ≥ 0.9

**NOTES**

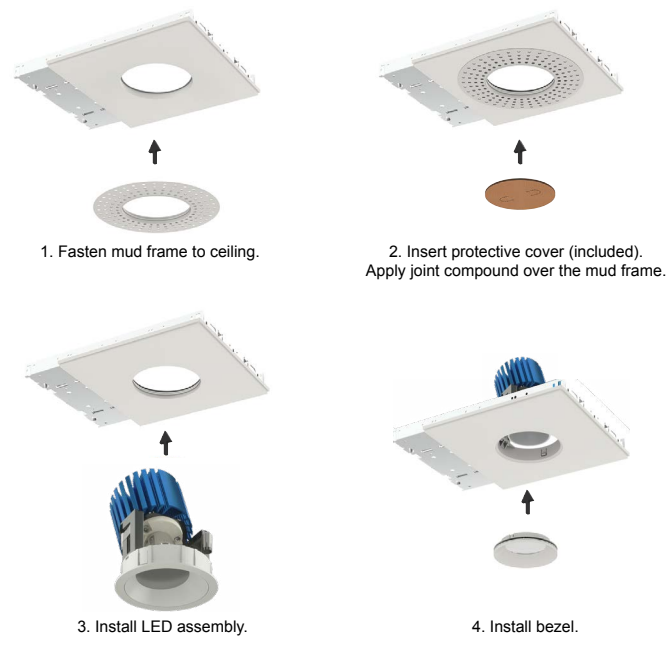
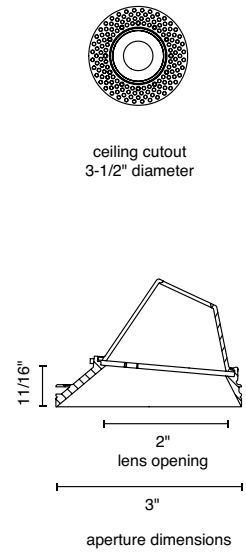
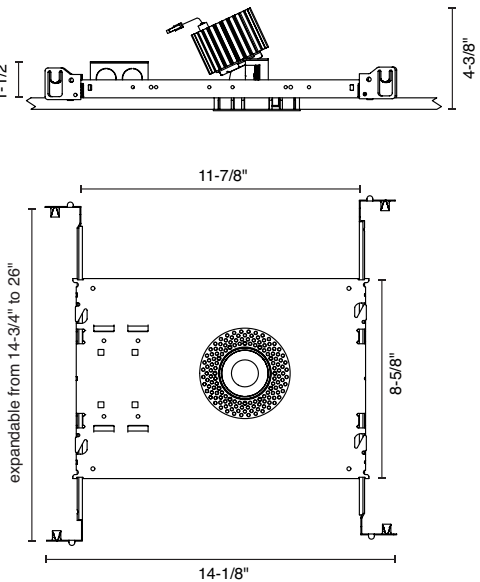
1. IC/ICAT/CP not available for 20LM and 27LM.
2. B27K Beauty Series choose 98 CRI (actual 93). Available for 07LM, 10LM or 13LM, 120V only.
3. 20LM and 27LM not available for 98CRI.
4. EM12 not available for 83CRI in 07LM, 10LM or 13LM.
5. Driver uses logarithmic dimming curve as standard. For linear dimming curve add "LIN" after dimming code, i.e. DIM10LIN.
6. Triac/ELV dimming not available in 07LM. Dimmable to <10% in 10LM, 13LM, 120V only. Dimmable to <1% in 20LM, 27LM.
7. LUT/LUTP not available in 20LM or 27LM.
8. DIM10 offered in 347V using a dedicated 347V Osram 0-10V 1% Driver; this requires above ceiling access for maintenance of the driver. For all other dimming options 347V is offered using a miniature Step-Down Transformer integrated with the Electrical Box. Triac and ELV dimming are not available.

**MOUNTING OPTIONS**

**NC - NEW CONSTRUCTION  
TRIM**

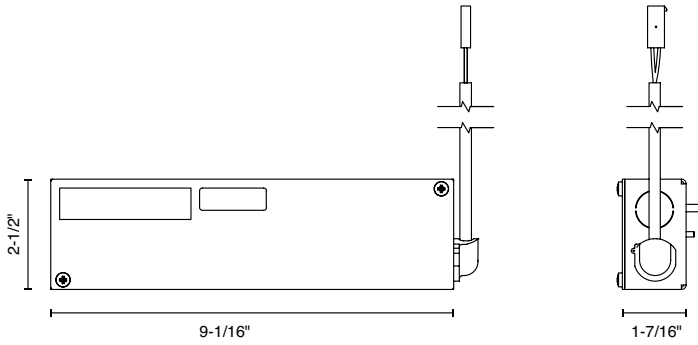


**NC - NEW CONSTRUCTION  
TRIMLESS**

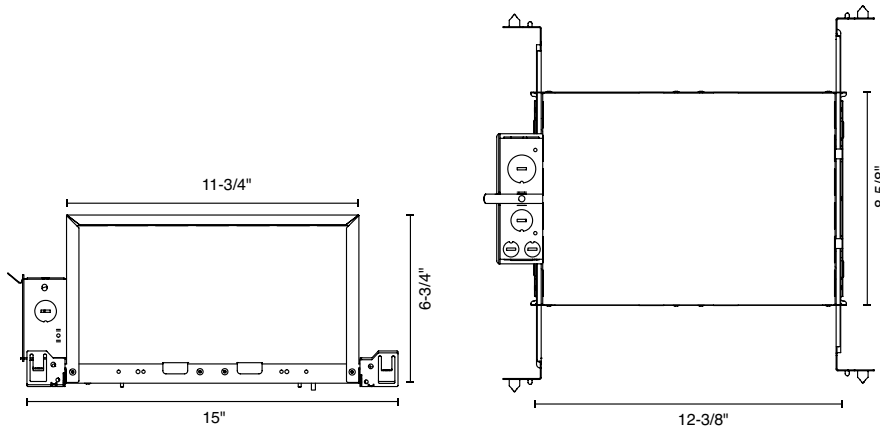


**MOUNTING OPTIONS (CONTINUED)**

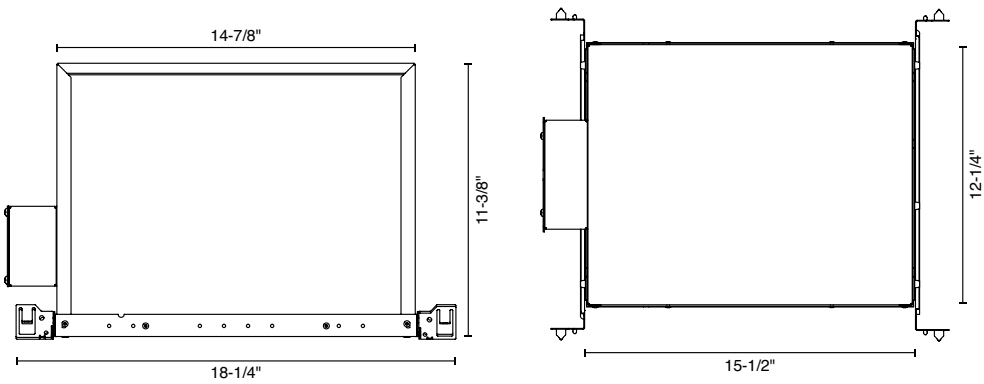
**RET - RETROFIT  
TRIM/TRIMLESS**



**IC - INSULATION CONTACT HOUSING  
TRIM/TRIMLESS**



**CP - CHICAGO PLENUM  
ICAT - INSULATION CONTACT / AIR TIGHT  
TRIM/TRIMLESS**





**ENERGY STAR - ORDERING CODE**

<b>SERIES</b>	NU3	
<b>TYPE</b>	RW RWT	round wall wash round wall wash trimless
<b>LED</b>	XTM19 Xicato XTM 19mm	
<b>DELIVERED LUMENS</b>	10LM 13LM	810 lm 1050 lm
<b>CCT</b>	27K 30K 35K 40K	2700K 3000K 3500K 4000K
<b>CRI</b>	83 90	83 CRI 90 CRI
<b>REFLECTOR</b>	WW	wall wash with diffused angle bending lens
<b>VOLTAGE</b>	120 277	120V 277V
<b>DIMMING</b>	DIM10 eldoLED flicker free 0-10V dimming to 1%	
<b>MOUNTING OPTIONS</b>	NC IC ICAT RET	new construction with ceiling fitting plate insulation contact housing insulation contact/airtight housing retrofit, no ceiling fitting plate
<b>TRIM COLOR</b>	WH	white Not applicable to trimless option. Do not include in trimless ordering code.
<b>BEZEL COLOR</b>	WH	white
<b>ELECTRICAL OPTIONS</b>	ES	energy star

**ORDERING CODE** \_\_\_\_\_

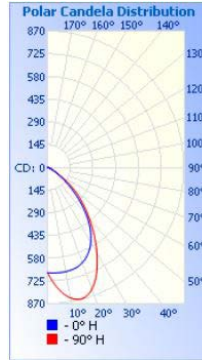
Follow the steps to specify your fixture, example:  
**NU3 - RW - XTM19 - 13LM - 27K - 90 - WW - 120 - DIM10 - IC - WH - WH - ES**

**Zonal Lumen Summary**

Zone	Lumens	%Lamp	%Fixt
0-20	242.99	20.90	20.90
0-30	499.25	42.90	42.90
0-40	767.52	66.00	66.00
0-60	1098.83	94.50	94.50
0-80	1158.05	99.60	99.60
0-90	1162.8	100.00	100.00
10-90	1099.51	94.50	94.50
20-40	524.54	45.10	45.10
20-50	738.47	63.50	63.50
40-70	374.12	32.20	32.20
60-80	59.22	5.10	5.10
70-80	16.41	1.40	1.40
80-90	4.75	0.40	0.40
90-110	0.17	0.00	0.00
90-120	0.17	0.00	0.00
90-130	0.17	0.00	0.00
90-150	0.17	0.00	0.00
90-180	0.17	0.00	0.00
110-180	0.00	0.00	0.00
0-180	1162.97	100.00	100.00

**Zonal Lumen Summary**

Zone	Lumens
0-10	63.29
10-20	179.70
20-30	256.27
30-40	268.27
40-50	213.94
50-60	117.37
60-70	42.81
70-80	16.41
80-90	4.75
90-100	0.17
100-110	0.00
110-120	0.00
120-130	0.00
130-140	0.00
140-150	0.00
150-160	0.00
160-170	0.00
170-180	0.00



Center Beam fc	Beam Width	Center Beam fc	Beam Width
1.7ft	2.6 ft	231 fc	1.6 ft
3.3ft	5.0 ft	61.4 fc	3.1 ft
5.0ft	7.6 ft	26.7 fc	4.7 ft
6.7ft	10.1 ft	14.9 fc	6.3 ft
8.3ft	12.5 ft	9.70 fc	7.8 ft
10.0ft	15.1 ft	6.68 fc	9.4 ft

■ Vert. Spread: 74.2°  
■ Horiz. Spread: 50.5°

NU3-RW-XTM19-13LM-30K-98-WW-120-DIM10-NC-WH-WH-ES