

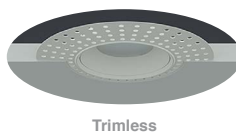
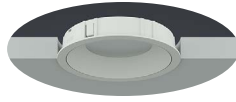


JOB NAME \_\_\_\_\_

CONTACT \_\_\_\_\_

ORDERING CODE \_\_\_\_\_

# NU3" Round Wall Wash SunLike



**DESCRIPTION**

The NU3RW-SUN 3" recessed wall wash by ALPHABET produces a spectrum that mimics natural sunlight for high quality light with Human Centric benefit and high EML ratios. Offered standard with premium dimming using EldoLED 1% flicker free drivers 120V-277V universal voltage. Also offered 347V. An asymmetric reflector with a highly-efficient BrightView angle-bending lens produces excellent wall washing with no scalloping.

For the trim version, a minimalistic look is achieved with an ultrathin 1/16" trim that is only 5/16" wide. Color choices of both trim and bezel are offered for a customized look. For the trimless version, a perforated, mud up, regressed trim assembly provides for clean, trim free installation. Perforated mud frame's integrated lip helps guide the joint compound creating a sharp and clean opening.

**HOUSING**

Electrocoated 16-gauge cold-rolled steel provides enhanced structural reinforcement and rust prevention. Superior, UL-certified, injection-molded commercial-grade Lexan™ (PC) is used for the frame and regressed bezel trim. Lexan provides unmatched durability and impact resistance, and is tested for UV resistance and water exposure in outdoor applications. The thermally-advanced, anodized heat sink uses 6063 aluminum alloy. Wet location rated is offered standard. A 90-minute constant-power IOTA emergency battery backup is available.

**MOUNTING**

An advanced mounting system allows for quick and secure installation with LED and driver serviceability from below the ceiling. The LED assembly uses die-cast aluminum mounting clamp grips (MCG) that swing out to tighten onto variable ceiling thicknesses. Integrated rubber feet on each MCG provide a non-slip vibration-resistant installation. The hidden MCG system is accessible from below ceiling by removing the snap-in lens/bezel assembly with either the included suction cup or a screwdriver blade. Integrated bar hangers feature integral toothed nails, T-bar mounting slots with locking holes, tabs for joist positioning. Retrofit mounting option allows for installation from below ceiling by use of compact driver box. No risk damaging LED or bezel assembly during installation, these are installed during last steps. Fixture and driver are easily removed for servicing after install without damaging drywall.

MOUNTING DIMENSIONS	CEILING THICKNESS	CEILING CUTOUT	New Construction Bar Hangers (included)	Mounting Length: 14-3/4" to 26"
Trim	1/8" to 1-1/4"	3-3/8" diameter	Extension Kit p/n: K20266 (ordered separately, 1 per fixture)	Extends a pair of Bar Hangers Total Mounting Length: 29" to 48"
Trimless	3/8" to 1-3/4"	3-1/2" diameter		

**LISTINGS**

- ETLus Listed to UL1598, cETL Listed to CSA C22.2 #250.0
- IP65 with lens - Suitable for wet locations with lens - Suitable for damp locations without lens
- Non-conductive, Lexan dead-front construction
- Made in the USA - meets the requirements of the Buy American provision within the ARRA

RATINGS / CERTIFICATIONS	NC	RET	IC	ICAT	CP
Type non-IC	✓	✓			
Type IC			✓	✓	✓
Chicago Plenum (CCEA)					✓
Suitable for air handling plenums				✓	✓
Reduced airflow (with lens) ASTM E283	✓	✓	✓	✓	✓

**LED INFO**

- Seoul Semiconductor SunLike Acrich MJT COB:  
97 CRI: SDCM = 3-step MacAdam Ellipse; Lumen Maintenance: L<sub>70</sub> > 49,500 hrs

**ORDERING CODE**

<b>SERIES</b>	NU3																			
<b>TYPE</b>	RW RWT	round wall wash round wall wash trimless																		
<b>LED</b>	SUN SunLike (Seoul Semiconductor)																			
<b>DELIVERED LUMENS</b>	07LM 560 lm 10LM 800 lm 13LM 1040 lm 20LM 1600 lm	Calculated Delivered Lumens = [Delivered Lumen Value] x [CCT Multiplier] Standard Configuration: 3000K																		
<b>CCT</b>	27K 2700K 30K 3000K 35K 3500K 40K 4000K 50K 5000K	<table border="1"> <thead> <tr> <th>CCT</th> <th>2700K</th> <th>3000K</th> <th>3500K</th> <th>4000K</th> <th>5000K</th> </tr> </thead> <tbody> <tr> <td>CCT MULTIPLIER FOR LUMEN OUTPUT</td> <td>0.96</td> <td>1.00</td> <td>1.03</td> <td>1.08</td> <td>1.14</td> </tr> <tr> <td>EML RATIO*</td> <td>N/A</td> <td>0.57</td> <td>0.67</td> <td>0.76</td> <td>0.87</td> </tr> </tbody> </table>	CCT	2700K	3000K	3500K	4000K	5000K	CCT MULTIPLIER FOR LUMEN OUTPUT	0.96	1.00	1.03	1.08	1.14	EML RATIO*	N/A	0.57	0.67	0.76	0.87
CCT	2700K	3000K	3500K	4000K	5000K															
CCT MULTIPLIER FOR LUMEN OUTPUT	0.96	1.00	1.03	1.08	1.14															
EML RATIO*	N/A	0.57	0.67	0.76	0.87															
<b>CRI</b>	97 97 CRI																			
<b>REFLECTOR</b>	WW wall wash with diffused angle bending lens																			
<b>VOLTAGE</b>	120 UNV 347 <sup>6</sup>	120V 120V-277V 347V																		
<b>DIMMING</b>	DIM10 <sup>2</sup> DIM10Z <sup>2</sup> DALI <sup>1</sup> DALIZ <sup>2</sup> LUT <sup>5</sup> LUTP <sup>5</sup> ELV <sup>3</sup> ELV1 <sup>3</sup>	eldoLED flicker free 0-10V dimming to 1% eldoLED flicker free 0-10V dimming to 0% eldoLED flicker free DALI dimming to 1% eldoLED flicker free DALI dimming to 0% Lutron Hi-lume EcoSystem dimming to 1%, Soft-on & Fade-to-Black Lutron Hi-lume Premier EcoSystem dimming to 0.1%, Soft-on & Fade-to-Black leading & trailing edge (Triac/ELV) dimming to < 10% leading & trailing edge (Triac/ELV) dimming to 1%																		
<b>MOUNTING OPTIONS</b>	NC IC <sup>1</sup> ICAT <sup>1</sup> CP <sup>1</sup> RET	new construction with ceiling fitting plate insulation contact housing insulation contact/airtight housing chicago plenum housing retrofit, no ceiling fitting plate																		
<b>TRIM COLOR</b>	WH MC BK BZ WT	white matte chrome black bronze wheat  Not applicable to trimless option. Do not include in trimless ordering code.																		
<b>BEZEL COLOR</b>	BK WH MC BZ WT	black white matte chrome bronze wheat																		
<b>ELECTRICAL OPTIONS</b>	EM7 EM12	emergency battery backup, 90 minutes at 7 watts to LED emergency battery backup, 90 minutes at 12 watts to LED																		

ORDERING CODE \_\_\_\_\_

Follow the steps to specify your fixture, example:  
NU3 - RW - SUN - 13LM - 35K - 97 - WW - 120 - DIM10 - NC - WH - WH - EM7

SEoul (LED)	POWER
DELIVERED LM	W (97CRI)
560	7
800	11
1040	13
1600	21

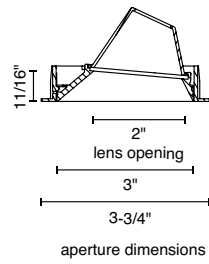
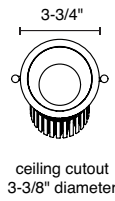
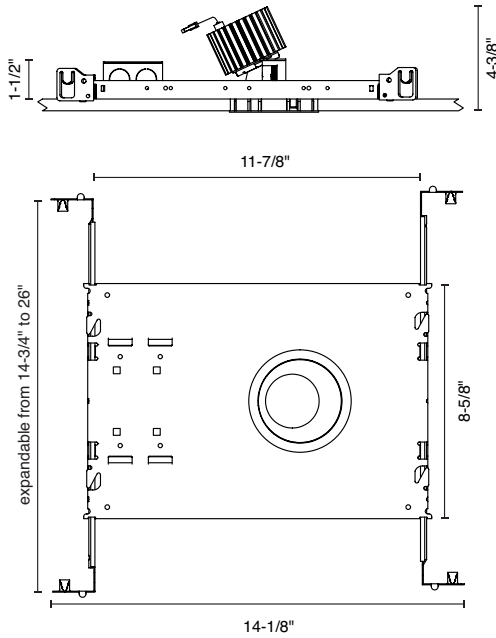
Power Factor ≥ 0.9

**NOTES**

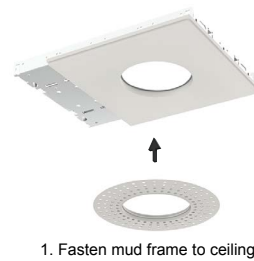
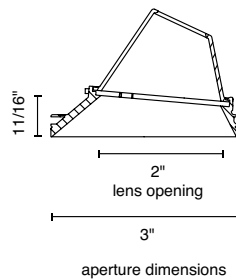
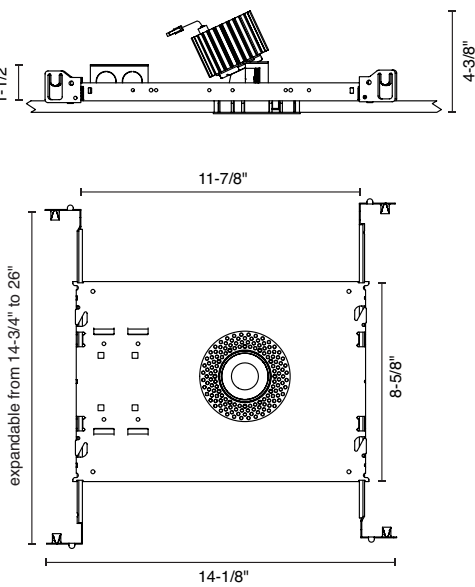
1. IC/ICAT/CP not available in 20LM.
2. Driver uses logarithmic dimming curve as standard. For linear dimming curve add "LIN" after dimming code, i.e. DIM10LIN.
3. Triac/ELV dimming available in 120V only.
4. EML = equivalent melanopic lux. To calculate EML, multiply the measured photopic lux by the EML ratio for the given CCT. Example: 264 lux x 0.76 = 200 melanopic lux at 4000K.
5. LUT/LUTP not available in 20LM.
6. DIM10 offered in 347V using a dedicated 347V Osram 0-10V 1% Driver; this requires above ceiling access for maintenance of the driver. For all other dimming options 347V is offered using a miniature Step-Down Transformer integrated with the Electrical Box. Triac and ELV dimming are not available.

**MOUNTING OPTIONS**

**NC - NEW CONSTRUCTION  
TRIM**



**NC - NEW CONSTRUCTION  
TRIMLESS**



1. Fasten mud frame to ceiling.



2. Insert protective cover (included).  
Apply joint compound over the mud frame.



3. Install LED assembly.

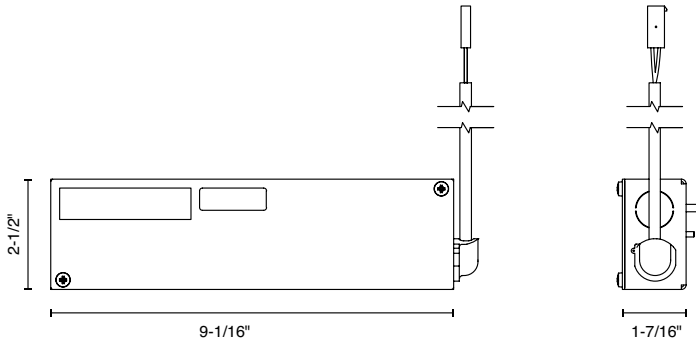


4. Install bezel.

**MOUNTING OPTIONS (CONTINUED)**

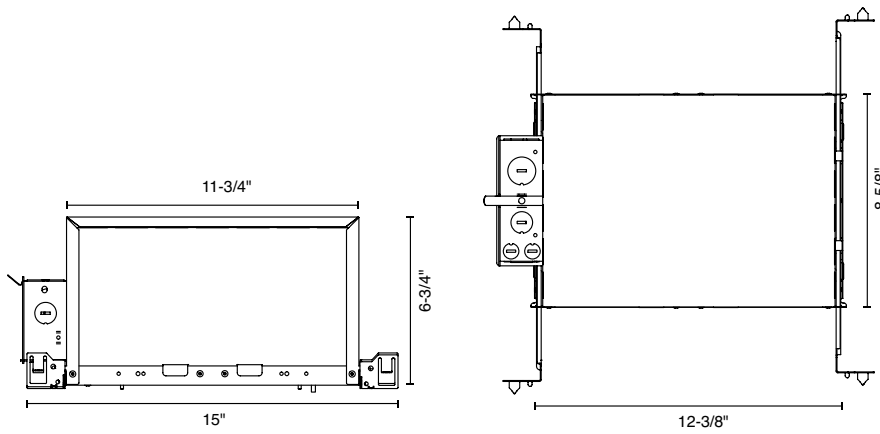
**RET - RETROFIT**

**TRIM/TRIMLESS**



**IC - INSULATION CONTACT HOUSING**

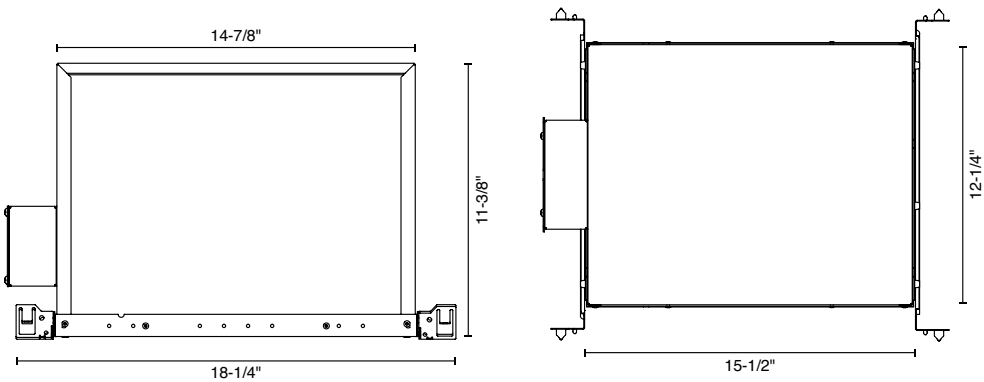
**TRIM/TRIMLESS**



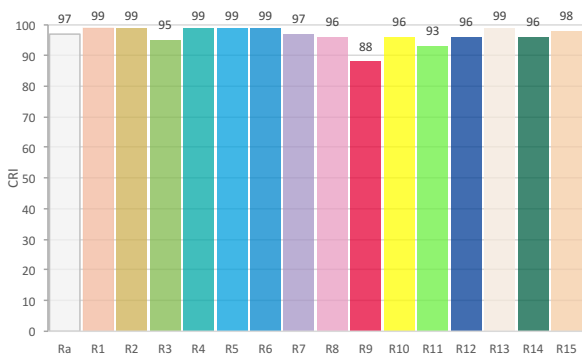
**CP - CHICAGO PLENUM**

**ICAT - INSULATION CONTACT / AIR TIGHT**

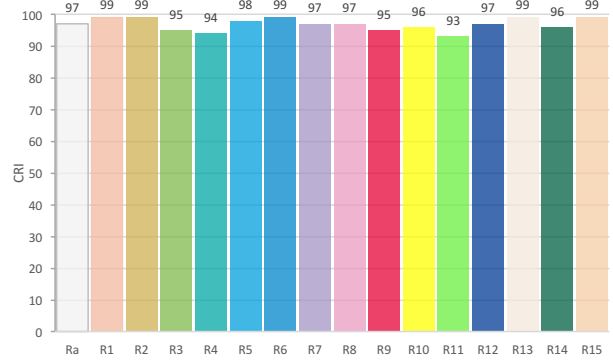
**TRIM/TRIMLESS**



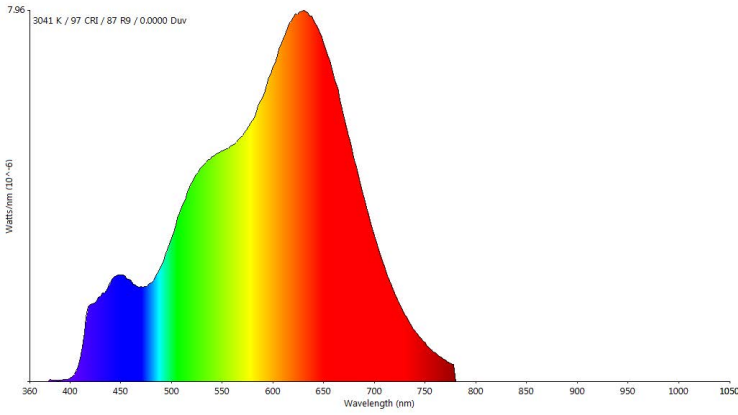
**SPECTRUM DATA**



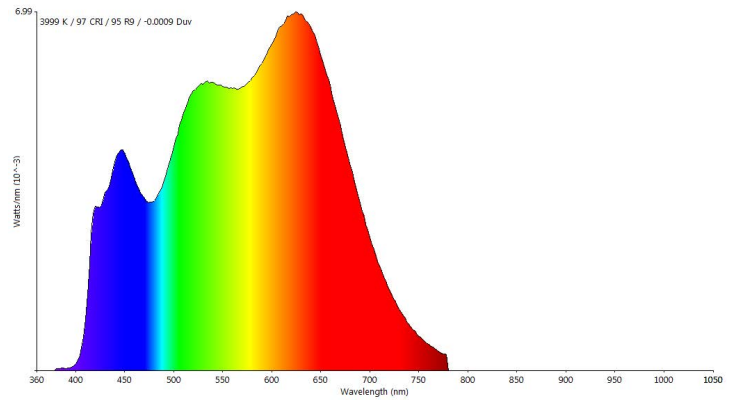
**3000K R-VALUES**



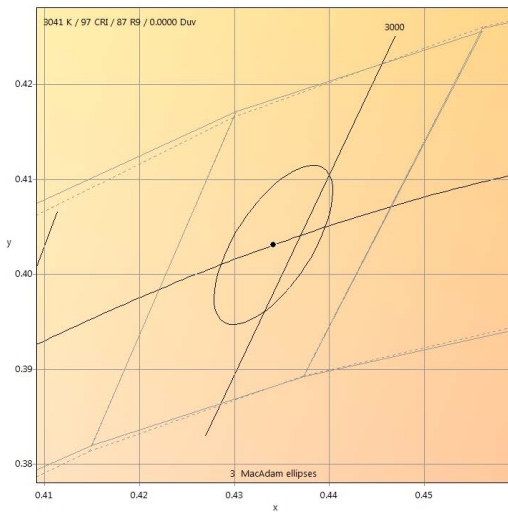
**4000K R-VALUES**



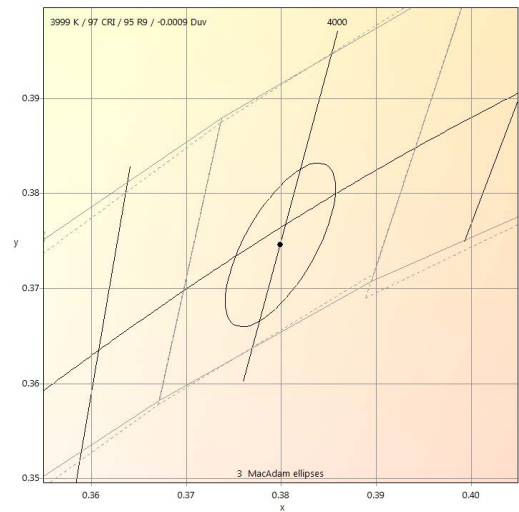
**SUNLIKE 3000K SPECTRUM**



**SUNLIKE 4000K SPECTRUM**



**3000K CIE**



**4000K CIE**