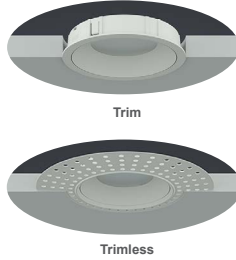


JOB NAME _____

CONTACT _____

ORDERING CODE _____

NU3" Round Wall Wash Tunable White



DESCRIPTION

The NU3RW-TW 3" recessed wall wash by ALPHABET offers economical and efficient, tunable CCT LED technology from Luminus or Nichia, premium performance, thoughtful construction and pleasing aesthetics. Available with optional Bluetooth controls or standard premium dimming using the EldoLED flicker-free driver with LightShape technology at 120V-277V universal voltage, or 347V. An asymmetric reflector with a highly-efficient BrightView angle-bending lens produces excellent wall washing with no scalloping. Optional integrated nLight® interface for Acuity Controls compatibility. Optional Casambi interface for Bluetooth® control. DALI and 0-10V compatible dimming.

For the trim version, a minimalistic look is achieved with an ultrathin 1/16" trim that is only 5/16" wide. Color choices of both trim and bezel are offered for a customized look. For the trimless version, a perforated, mud up, regressed trim assembly provides for clean, trim free installation. Perforated mud frame's integrated lip helps guide the joint compound creating a sharp and clean opening.

HOUSING

Electrocoated 16-gauge cold-rolled steel provides enhanced structural reinforcement and rust prevention. Superior, UL-certified, injection-molded commercial-grade Lexan™ (PC) is used for the frame and regressed bezel trim. Lexan provides unmatched durability and impact resistance, and is tested for UV resistance and water exposure in outdoor applications. The thermally-advanced, anodized heat sink uses 6063 aluminum alloy. Wet location rated is offered standard.

MOUNTING

For servicing the driver/j-box, access above ceiling is required. An advanced mounting system allows for quick and secure installation with LED and driver serviceability from below the ceiling. The LED assembly uses die-cast aluminum mounting clamp grips (MCG) that swing out to tighten onto variable ceiling thicknesses. Integrated rubber feet on each MCG provide a non-slip vibration-resistant installation. The hidden MCG system is accessible from below ceiling by removing the snap-in lens/bezel assembly with either the included suction cup or a screwdriver blade. Integrated bar hangers feature integral toothed nails, T-bar mounting slots with locking holes, tabs for joist positioning. No risk damaging LED or bezel assembly during installation, these are installed during last steps. Fixture and driver are easily removed for servicing after install without damaging drywall.

MOUNTING DIMENSIONS	CEILING THICKNESS	CEILING CUTOUT	New Construction Bar Hangers (included)	Mounting Length: 14-3/4" to 26"
Trim	1/8" to 1-1/4"	3-3/8" diameter	Extension Kit p/n: K20266 (ordered separately, 1 per fixture)	Extends a pair of Bar Hangers Total Mounting Length: 29" to 48"
Trimless	3/8" to 1-3/4"	3-1/2" diameter		

LISTINGS

- ETLus Listed to UL1598, cETL Listed to CSA C22.2 #250.0
- IP65 with lens - Suitable for wet locations with lens - Suitable for damp locations without lens
- Non-conductive, Lexan dead-front construction
- Made in the USA - meets the requirements of the Buy American provision within the ARRA

RATINGS / CERTIFICATIONS	NC
Type non-IC	✓
Type IC	
Chicago Plenum (CECA)	
Suitable for air handling plenums	
Reduced airflow (with lens) ASTM E283	✓

LED INFO

- Luminus tunable white COB: 95 CRI, R9 > 70: SDCM = 4-step MacAdam Ellipse; Lumen Maintenance: L₇₀ > 54,000 hrs
- Nichia tunable white COB: 80 CRI, R9 > 0: SDCM = 3-step MacAdam Ellipse; Lumen Maintenance: L₉₀ > 33,000 hrs

LUMINUS TUNABLE WHITE - ORDERING CODE		LM-79
SERIES	NU3	
TYPE	RW RWT	round wall wash round wall wash trimless
LED	TW Tunable White (Luminus)	
DELIVERED LUMENS	07LM 560 lm 10LM 800 lm 13LM 1040 lm 16LM 1200 lm 20LM 1400 lm	Calculated Delivered Lumens = [Delivered Lumen Value] x [CCT Multiplier] Standard Configuration: 3500K
CCT	2765	2700K to 6500K tunable white
	CCT	2700K 3000K 3500K 4000K 5000K 5700K 6500K
	CCT MULTIPLIER FOR LUMEN OUTPUT	0.91 0.98 1.00 0.99 1.00 1.01 1.02
	EML RATIO ²	0.49 0.57 0.68 0.79 0.96 1.04 1.12
CRI	95	95 CRI max at 3500K, 90 CRI at 6500K
REFLECTOR	WW	wall wash with diffused angle bending lens
VOLTAGE	120 UNV 347 ³	120V 120V-277V 347V
DIMMING	CAS NLT DIM10Z ¹ DALIZ	Casambi Bluetooth dimming to 0% nLight control interface: Standard Cat-5/RJ45 connection (female), dimming to 0% eldoLED flicker free 0-10V dimming to 0% eldoLED flicker free DALI dimming to 0%
MOUNTING OPTIONS	NC	new construction with ceiling fitting plate
TRIM COLOR	BK WH MC BZ WT	black white matte chrome bronze wheat Not applicable to trimless option. Do not include in trimless ordering code.
BEZEL COLOR	BK WH MC BZ WT	black white matte chrome bronze wheat

ORDERING CODE

Follow the steps to specify your fixture, example:
NU3 - RW - TW - 13LM - 2765 - 95 - WW - 120 - CAS - NC - WH - WH

LUMINUS (LED)	POWER
DELIVERED LM	W (95 CRI)
560	10
800	13
1040	15
1200	19
1400	25

Power Factor ≥ 0.9

NOTES

1. Requires 2 wall controllers (see wiring diagram).
2. EML = equivalent melanopic lux. To calculate EML, multiply the measured photopic lux by the EML ratio for the given CCT. Example: 254 lux x 0.79 = 200 melanopic lux at 4000K.
3. 347V offered using a miniature Step-Down Transformer integrated with the Electrical Box. Triac and ELV dimming are not available.

NICHIA TUNABLE WHITE - ORDERING CODE

SERIES	NU3													
TYPE	RW RWT	round wall wash round wall wash trimless												
LED	TW	Tunable White (Nichia)												
DELIVERED LUMENS	13LM 16LM 20LM 25LM	1050 lm 1300 lm 1600 lm 2000 lm <small>Calculated Delivered Lumens = [Delivered Lumen Value] x [CCT Multiplier] Standard Configuration: 3500K</small>												
CCT	2750	2700K to 5000K tunable white <table border="1" style="margin-left: 20px;"> <tr> <td>cct</td> <td>2700K</td> <td>3000K</td> <td>3500K</td> <td>4000K</td> <td>5000K</td> </tr> <tr> <td>EML RATIO²</td> <td>0.43</td> <td>0.51</td> <td>0.63</td> <td>0.69</td> <td>0.80</td> </tr> </table>	cct	2700K	3000K	3500K	4000K	5000K	EML RATIO ²	0.43	0.51	0.63	0.69	0.80
cct	2700K	3000K	3500K	4000K	5000K									
EML RATIO ²	0.43	0.51	0.63	0.69	0.80									
CRI	80	80+ CRI												
REFLECTOR	WW	wall wash with diffused angle bending lens												
VOLTAGE	120 UNV 347³	120V 120V-277V 347V												
DIMMING	CAS NLT DIM10Z¹ DALIZ	Casambi Bluetooth dimming to 0% nLight control interface: Standard Cat-5/RJ45 connection (female), dimming to 0% eldoLED flicker free 0-10V dimming to 0% eldoLED flicker free DALI dimming to 0%												
MOUNTING OPTIONS	NC	new construction with ceiling fitting plate												
TRIM COLOR	BK WH MC BZ WT	black white matte chrome bronze wheat <small>Not applicable to trimless option. Do not include in trimless ordering code.</small>												
BEZEL COLOR	BK WH MC BZ WT	black white matte chrome bronze wheat												

ORDERING CODE

Follow the steps to specify your fixture, example:

NU3 - RW - TW - 13LM - 2750 - 80 - WW - 120 - CAS - NC - WH - WH

NICHIA (LED) DELIVERED LM	POWER	
	W (80 CRI) 2700K	W (80 CRI) 5000K
1050	15	12
1300	18	15
1600	22	18
2000	29	24

Power Factor ≥ 0.9

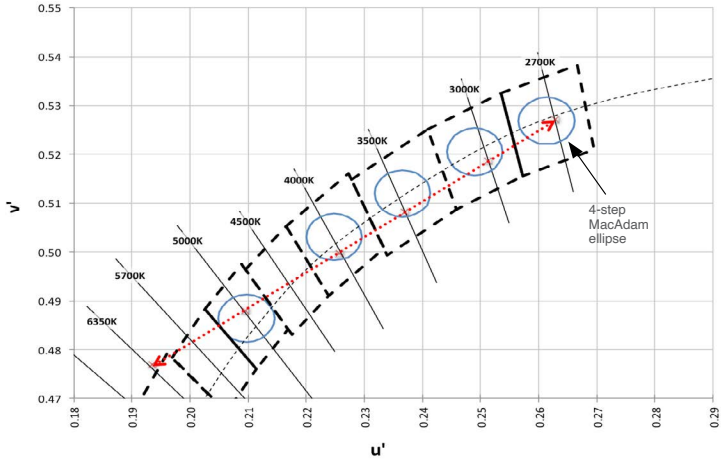
NOTES

- Requires 2 wall controllers (see wiring diagram).
- EML = equivalent melanopic lux. To calculate EML, multiply the measured photopic lux by the EML ratio for the given CCT.
Example: 254 lux x 0.79 = 200 melanopic lux at 4000K.
- 347V offered using a miniature Step-Down Transformer integrated with the Electrical Box. Triac and ELV dimming are not available.

TUNABLE WHITE

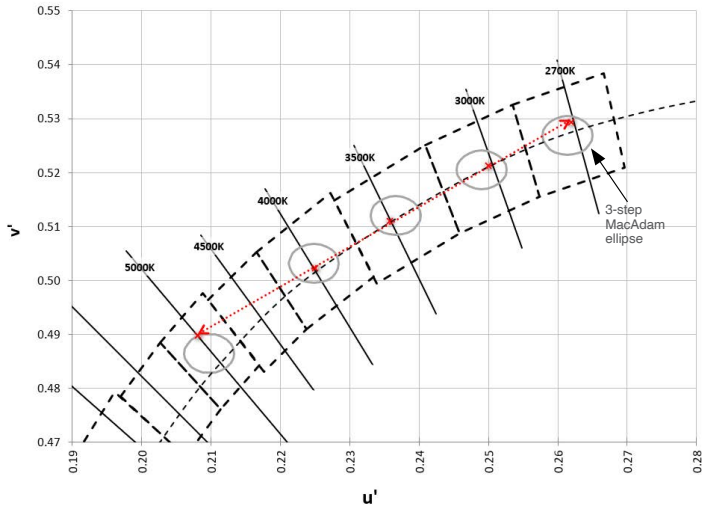
LUMINUS 95CRI

Chromaticity Coordinates (CIE 1976) & CCT range



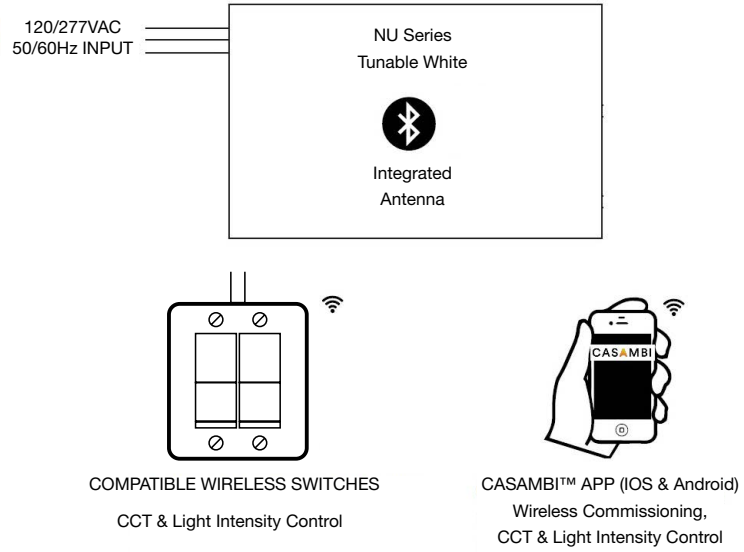
NICHIA 80CRI

Chromaticity Coordinates (CIE 1976) & CCT range

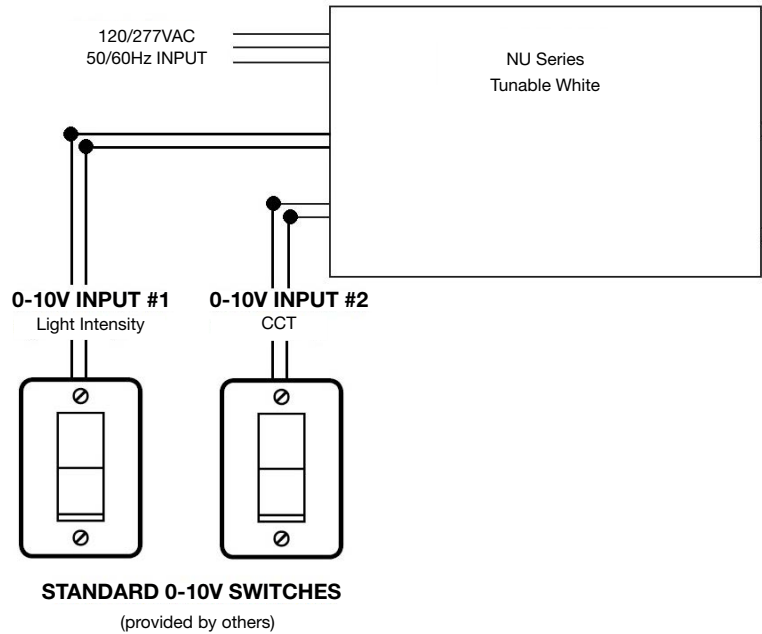


WIRING DIAGRAMS

“CAS” CASAMBI CONTROLS



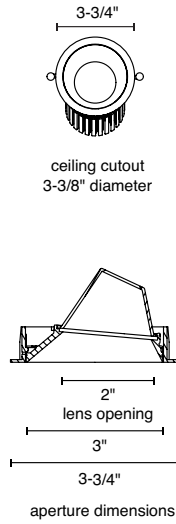
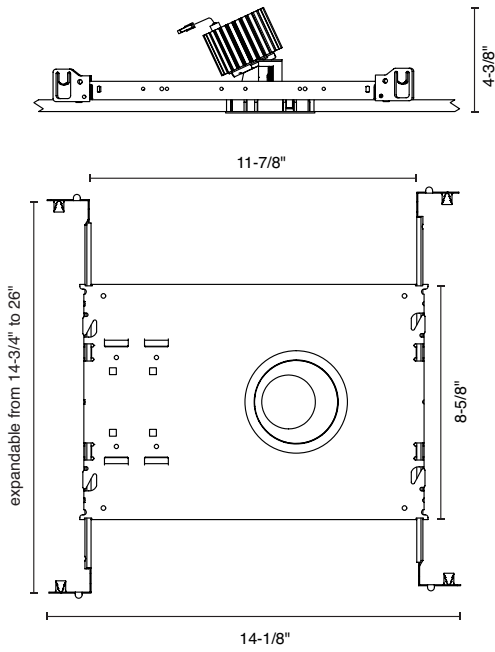
“DIM10Z” HARDWIRED 0-10V CONTROL



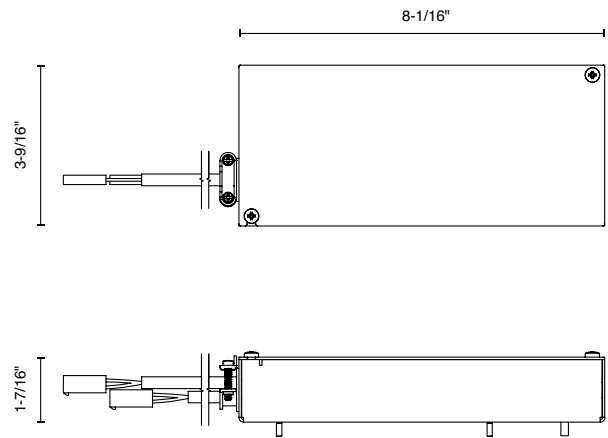
NOTES
1 Consult factory to order compatible wireless switches.

MOUNTING OPTIONS

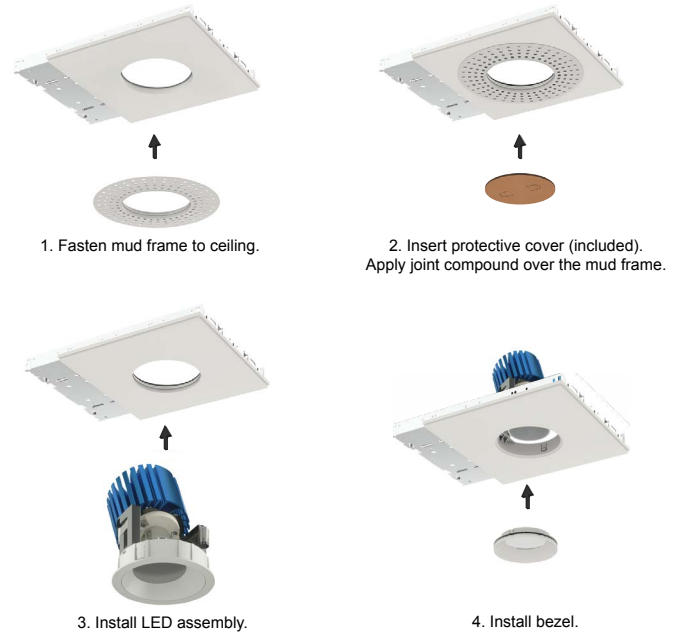
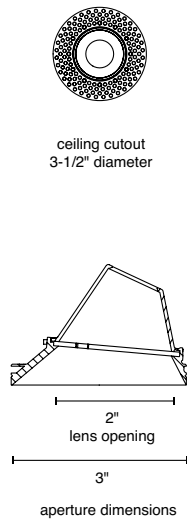
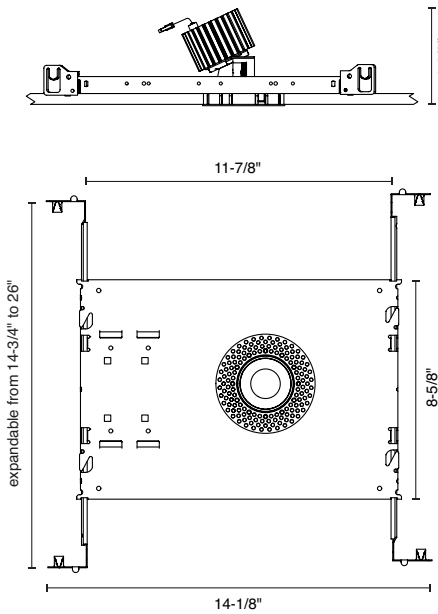
NC - NEW CONSTRUCTION TRIM



NC - DRIVER BOX SIZE TRIM/TRIMLESS



NC - NEW CONSTRUCTION TRIMLESS



For servicing the driver/j-box, access above ceiling is required.

T-Bar type ceilings with removable adjacent tile access recommended. Hard lid ceilings may require access doors directly adjacent to luminaire.