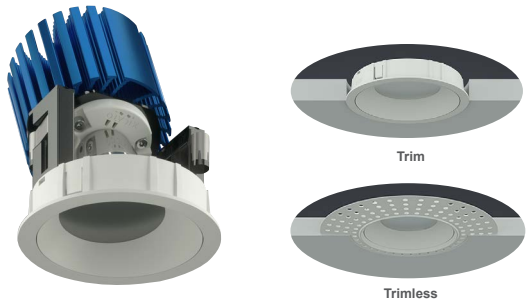


JOB NAME _____
 CONTACT _____
 ORDERING CODE _____



LM-79

NU3" Round Wall Wash Warm Dim



DESCRIPTION
 The NU3RW-WD 3" recessed wall wash by ALPHABET offers economical and efficient dim-to-warm LED technology from Luminus, premium performance, thoughtful construction and pleasing aesthetics. Offered standard with premium dimming using EldoLED 1% flicker free drivers 120V-277V universal voltage. Also offered 347V. An asymmetric reflector with a highly-efficient BrightView angle-bending lens produces excellent wall washing with no scalloping.

For the trim version, a minimalistic look is achieved with an ultrathin 1/16" trim that is only 5/16" wide. Color choices of both trim and bezel are offered for a customized look. For the trimless version, a perforated, mud up, regressed trim assembly provides for clean, trim free installation. Perforated mud frame's integrated lip helps guide the joint compound creating a sharp and clean opening.

HOUSING
 Electrocoated 16-gauge cold-rolled steel provides enhanced structural reinforcement and rust prevention. Superior, UL-certified, injection-molded commercial-grade Lexan™ (PC) is used for the frame and regressed bezel trim. Lexan provides unmatched durability and impact resistance, and is tested for UV resistance and water exposure in outdoor applications. The thermally-advanced, anodized heat sink uses 6063 aluminum alloy. Wet location rated is offered standard. A 90-minute constant-power IOTA emergency battery backup is available.

MOUNTING
 An advanced mounting system allows for quick and secure installation with LED and driver serviceability from below the ceiling. The LED assembly uses die-cast aluminum mounting clamp grips (MCG) that swing out to tighten onto variable ceiling thicknesses. Integrated rubber feet on each MCG provide a non-slip vibration-resistant installation. The hidden MCG system is accessible from below ceiling by removing the snap-in lens/bezel assembly with either the included suction cup or a screwdriver blade. Integrated bar hangers feature integral toothed nails, T-bar mounting slots with locking holes, tabs for joist positioning. Retrofit mounting option allows for installation from below ceiling by use of compact driver box. No risk damaging LED or bezel assembly during installation, these are installed during last steps. Fixture and driver are easily removed for servicing after install without damaging drywall.

MOUNTING DIMENSIONS	CEILING THICKNESS	CEILING CUTOUT	New Construction Bar Hangers (included)	Mounting Length: 14-3/4" to 26"
Trim	1/8" to 1-1/4"	3-3/8" diameter	Extension Kit p/n: K20266 (ordered separately, 1 per fixture)	Extends a pair of Bar Hangers Total Mounting Length: 29" to 48"
Trimless	3/8" to 1-3/4"	3-1/2" diameter		

LISTINGS
 - ETLus Listed to UL1598, cETL Listed to CSA C22.2 #250.0
 - IP65 with lens - Suitable for wet locations with lens - Suitable for damp locations without lens
 - Non-conductive, Lexan dead-front construction
 - Made in the USA - meets the requirements of the Buy American provision within the ARRA

RATINGS / CERTIFICATIONS	NC	RET	IC	ICAT	CP
Type non-IC	✓	✓			
Type IC			✓	✓	✓
Chicago Plenum (CCEA)					✓
Suitable for air handling plenums				✓	✓
Reduced airflow (with lens) ASTM E283	✓	✓	✓	✓	✓

LED INFO
 - LUMINUS Dim-to-warm COB:
 97 CRI: SDCM = 3-step MacAdam Ellipse; Lumen Maintenance: L₇₀ > 54,000 hrs

ORDERING CODE		
SERIES	NU3	
TYPE	RW RWT	round wall wash round wall wash trimless
LED	WD	warm dim (Luminus)
DELIVERED LUMENS	10LM 13LM 20LM	710 lm 930 lm 1315 lm
CCT	3018	3000K, dim to 1800K
CRI	97	97 CRI
REFLECTOR	WW	wall wash with diffused angle bending lens
VOLTAGE	120 UNV 347 ⁴	120V 120V-277V 347V
DIMMING	DIM10 DIM10Z DALI DALIZ ELV ² ELV1 ²	eldoLED flicker free 0-10V dimming to 1% eldoLED flicker free 0-10V dimming to 0% eldoLED flicker free DALI dimming to 1% eldoLED flicker free DALI dimming to 0% leading & trailing edge (Triac/ELV) dimming to < 10% leading & trailing edge (Triac/ELV) dimming to 1%
MOUNTING OPTIONS	NC IC ¹ ICAT ¹ CP ¹ RET	new construction with ceiling fitting plate insulation contact housing insulation contact/airtight housing chicago plenum housing retrofit, no ceiling fitting plate
TRIM COLOR	BK WH MC BZ WT	black white matte chrome bronze wheat Not applicable to trimless option. Do not include in trimless ordering code.
BEZEL COLOR	BK WH MC BZ WT	black white matte chrome bronze wheat
ELECTRICAL OPTIONS	EM7 EM12	emergency battery backup, 90 minutes at 7 watts to LED emergency battery backup, 90 minutes at 12 watts to LED

ORDERING CODE _____

Follow the steps to specify your fixture, example:
 NU3 - RW - WD - 13LM - 3018 - 97 - WW - 120 - DIM10 - NC - WH - WH - EM7

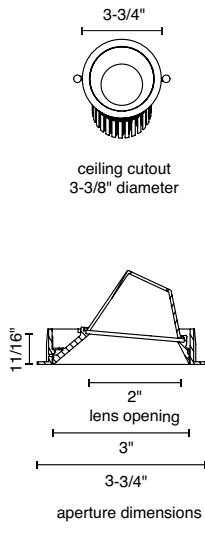
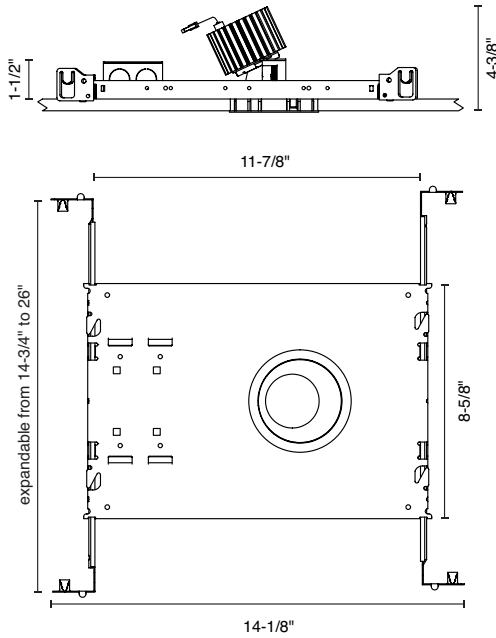
LUMINUS (LED) DELIVERED LM	POWER W (97CRI)	CCT AT LIGHT LEVEL (%LF) ³			
		%LF	20LM	13LM	10LM
710	13	100%	3000	3000	3000
930	17	50%	3000	3000	2800
1315	27	25%	2800	2500	2300
		10%	2200	2000	1900
		5%	1800	1800	1800

Power Factor ≥ 0.9

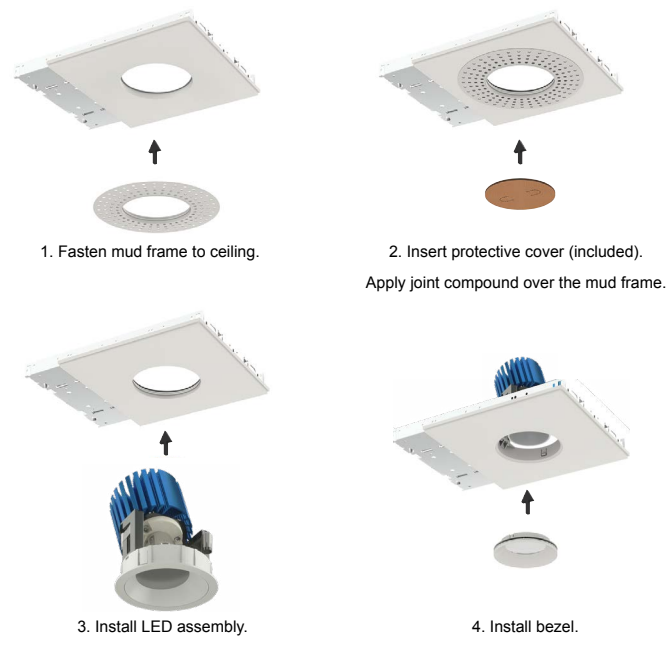
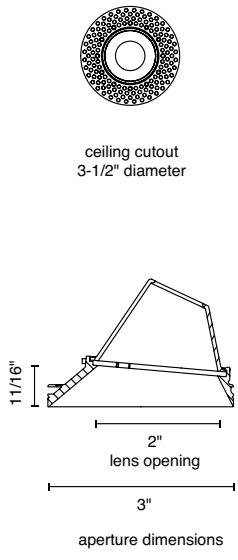
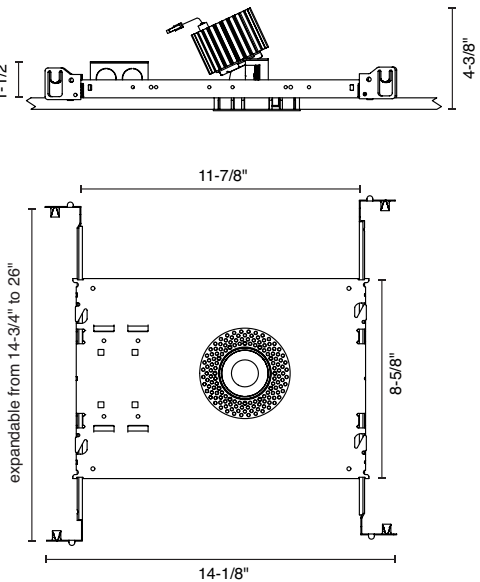
NOTES
 1. IC/ICAT/CP not available in 20LM.
 2. Triac/ELV dimming available in 120V only.
 3. Values shown are for reference only. Actual CCT may vary.
 4. DIM10 offered in 347V using a dedicated 347V Osram 0-10V 1% Driver; this requires above ceiling access for maintenance of the driver. For all other dimming options 347V is offered using a miniature Step-Down Transformer integrated with the Electrical Box. Triac and ELV dimming are not available.

MOUNTING OPTIONS

**NC - NEW CONSTRUCTION
TRIM**

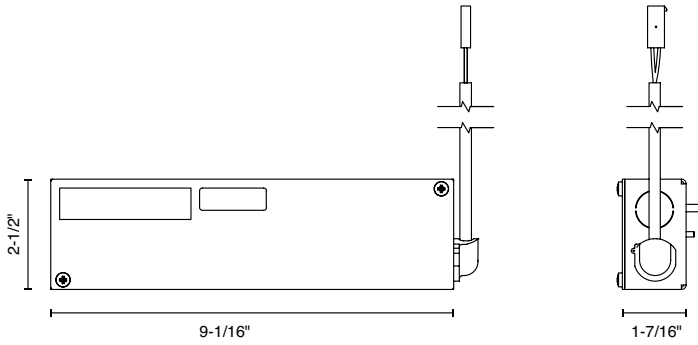


**NC - NEW CONSTRUCTION
TRIMLESS**

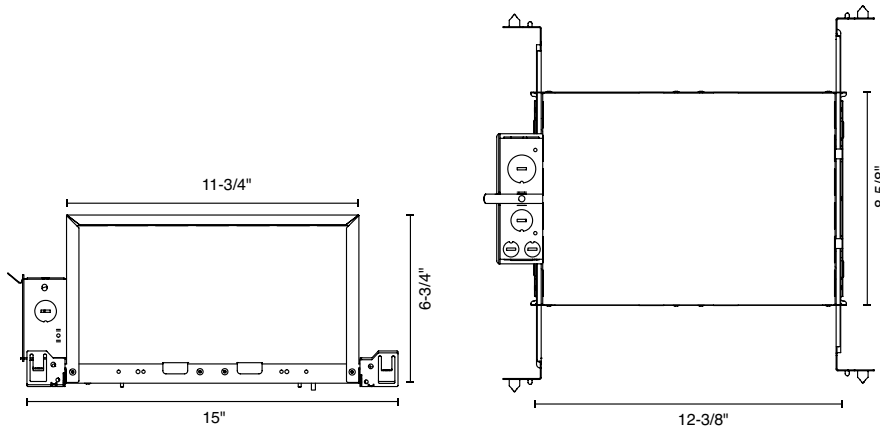


MOUNTING OPTIONS (CONTINUED)

**RET - RETROFIT
TRIM/TRIMLESS**



**IC - INSULATION CONTACT HOUSING
TRIM/TRIMLESS**



**CP - CHICAGO PLENUM
ICAT - INSULATION CONTACT / AIR TIGHT
TRIM/TRIMLESS**

