

## STANDARD FEATURES

- Unique new design provides spec-grade die cast EXIT sign with LED emergency lights in low-profile housing.
- Energy efficient LED technology
- Ultra bright, energy efficient, long lasting Red or Green LED
- Ultra bright white LED lamps in emergency lighting heads
- Premium-grade, die cast aluminum housing (also available in black or white powder coated)
- Easily removable chevron directional indicators
- Unique design allows double face conversion in the field
- Quick-snap faceplate closure
- Dual 120/270 voltage
- Charge rate/power "ON" LED indicator light and push-to-test switch
- LVD (low voltage disconnect) prevents battery from deep discharge
- Maintenance-free, rechargeable Ni-Cad battery
- Internal solid-state transfer switch automatically connects the internal battery to LEDs and LED lamp heads for minimum 90-minute emergency illumination
- Fully automatic solid-state, two-rate charger initiates battery charging to recharge a discharged battery in 24 hours

## WARRANTY

- One Year Warranty on all electronics and housing. Batteries are pro-rated warranted for 5 years.

## MOUNTING

- Die cast aluminum housing and faceplate
- Die cast mounting canopy included (provides top, end, or black mount convenience)
- Universal wall mounting K/O pattern

Catalog No.

Style	Aluminum Face & Frame		White Face & Frame	
	Red	Green	Red	Green
Single Face	LDEPXICR	LDEPXICG	WWLDEPXICR	WWLDEPXICG
Double Face	LDEPX2CR	LDEPX2CG	WWLDEPX2CR	WWLDEPX2CG

For black face frame change "WW" to "BB"

Fixture:	Type:
Project:	

**PATHWAY**  
**PATHWAY**  
*Emergency Lighting*

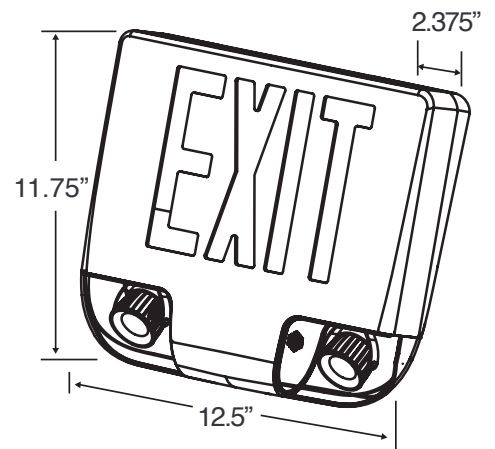
# LED EXIT SIGN

## Series LDEPX

### LED Exit/Emergency Combination



For Damp Location



All exits manufactured in accordance with U.L. standard 924, and meet or exceed requirements as established by the National Electrical Code Article 700 and Life Safety Code NFPA101. Specifications subject to change without notice.

**PATHWAY**  
*the Lighting Source*

Pathway Lighting Products, Inc., P.O. Box 591, Old Saybrook, CT 06475-0591  
voice: 800.342.0592 • fax: 800.207.0090 • www.pathwaylighting.com • e-mail: sales@pathwaylighting.com

EX19.0

CBCRUE