

Industriale Series - Domo Reflector Shade

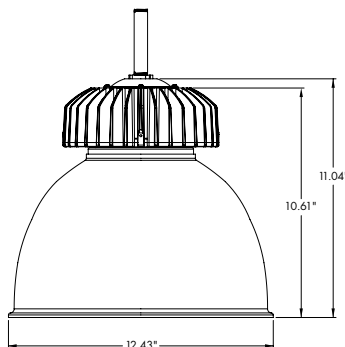
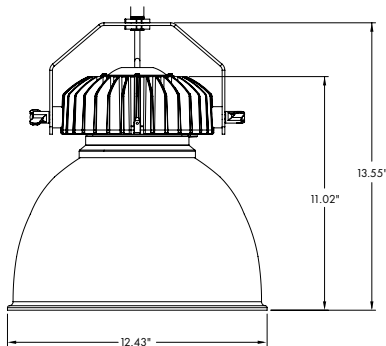
SERIES P5C

12" Decorative LED Pendant

642-7129 Lumens



Weight: 8.1 lbs



APPLICATION

Industriale is a family of decorative, suspended LED fixtures that are ideally suited to office, residential, loft, restaurant and retail spaces where long life and energy-efficient LED operation is desirable.

FEATURES AND BENEFITS

- Vintage industrial look with modern features
- Various mounting options include: bail with modern wing nut, rigid pipe stem, and flexible single aviation cable.
- Available with optional lenses, to enclose the fixture.
- Separate models available for our remote driver platforms of IRD and CentralDrive™ (see below).
- Utilizes an internal dome-shaped cover to spread light rays and obscure the LED engine.
- Custom colors available.

TECHNICAL DATA

- Max output at 10,000 lumens.
- Input: 120 to 277 VAC, 50-60Hz
- Standard 0-10V 1% dimming, other options listed on page 3.
- CRI = 80. Available in 90 CRI.
- [Available with Bridgelux Thrive™ high-fidelity human-centric lighting technology.](#)
- Expected lamp life to be 50,000 hours with 70% lumen maintenance when ambient temperatures do not exceed 35°C. Lower ambient temperatures yield longer lamp life.

REMOTE DRIVER OPTIONS (PUBLISHED SEPARATELY)

IRD (In-ceiling Remote Driver) features a housing with driver that is recessed in the ceiling and operates a single lighting fixture. Benefits include small 0.25" thick ceiling canopies, emergency (EM) options, and longer driver life due to reduced exposure to the heat of the LED engine. Both new construction and remodel style housings are available.

CentralDrive™ system features a remote panel that operates multiple lighting fixtures. This remote panel can be installed in an easy-to-access area such as a utility closet. Benefits are the same as our IRD system as well as easy driver replacement.

Lighting fixtures for these remote driver systems are published separately and can be found on our website. Please contact our sales team for more information on these options.

[CLICK HERE to view the Industriale Series Brochure](#)



HOW TO ORDER

Fixture Body Model Number:

Example: P5YUASASAUAPAV105KDA

Fixture Series	Heat Sink Finish	Bail/Yoke Finish	Bail Knobs	Mounting	Driver
P5 - Basic Industriale	UA = Unfinished Aluminum MW = Matte White MB = Matte Black Custom Colors Available	N/A	N/A	A* = Cable** Pendant Stem Mount PA = Satin Aluminum Finish^ PW = Matte White Finish^ PB = Matte Black Finish^ PZ = Dark Bronze Finish^	V = Ceiling Canopy-Mounted Driver
P5Y - Industriale w/ Adjustable Bail		SA = Satin Aluminum MW = Matte White MB = Matte Black	SA = Satin Aluminum MW = Matte White MB = Matte Black		

Delivered Lumens (Open Shade)	Thrive™	Color Temperature	Dimming	Options
10 = (642, 8W) 20 = (1426, 16W) 30 = (2139, 24W) 40 = (2852, 32W) 50 = (3565, 41W) 60 = (4206, 50W) 70 = (4848, 59W) 80 = (5561, 68W) 90 = (6487, 86W) 100 = (7129, 91W) C9 = 90 CRI	T = Thrive High Fidelity Human Centric Technology# 95 CRI. Use scaling factor of 0.54 to determine delivered lumens.	5K = 5000K 4K = 4000K 35K = 3500K 3K = 3000K 27K = 3000K	DA = Xitanium 0-10V 1% linear standard	IEM = EM Battery Pack w/ Integral Test Switch. (Located in ceiling canopy) F = Fuse and Fuse Holder

* Specify canopy and cord color using "A" followed by number, e.g. "A2"

- | | | |
|------------------------------|-------------------------------|--------------------------------|
| 1 = White canopy/ White cord | 5 = Bronze canopy/ White cord | 9 = White canopy/ Clear cord |
| 2 = White canopy/ Black cord | 6 = Bronze canopy/ Black cord | 10 = Black canopy/ Clear cord |
| 3 = Black canopy/ White cord | 7 = Silver canopy/ White cord | 11 = Silver canopy/ Clear cord |
| 4 = Black canopy/ Black cord | 8 = Silver canopy/ Black cord | 12 = Bronze canopy/ Clear cord |

** Cable mounting not available on model with adjustable bail.

^ Finish refers to ceiling canopy color. Stem length and finish are specified separately

Thrive only available on models with lumen designations 10-80.

Shade Model Number:

Example: P5CAWSA

Shade Style	Color	Transition Ring	Options
P5C = Domo 12" Reflector	AW = Satin Aluminum with White Interior WW = White Reflector with White Interior	SA = Satin Aluminum MW = Matte White MB = Matte Black	1 = Conical Lens 2 = Clear Flat Acrylic Lens 3 = Clear Domed Acrylic Lens



Stem Kit Specification:

Example: PKU24SA

Pendant Stem	Stem Length	Finish
PKU = Swivel Pendant Kit	Stem Length in Increments of 12" (Add 2" for Canopy)	SA = Satin Aluminum MW = Matte White MB = Matte Black BZ = Bronze

Fixture:	Type:
Project:	

Manufactured and tested to UL#1598/8750 and CSA standards.
All Pathway® products meet or exceed requirements as established by the National Electrical Code. Specifications subject to change without notice.

DIMMING OPTIONS

Specify option by suffix (shown in bold-face type)

Our White Paper regarding Linear vs. Logarithmic Operating Characteristics is available in our 'Downloads' section of our website, or you may request one by emailing Sales@PathwayLighting.com

All dimming drivers mounted in ceiling canopy.

0-10V Dimming Options
DA = Xitanium 1% 0-10V (linear), Max Lumen = 90
DB = Xitanium 1% 0-10V (logarithmic), Max Lumen = 90
DC = EldoLED 0-10V 0% (logarithmic), Max Lumen = 60
DD = EldoLED 0-10V 1% (logarithmic), Max Lumen = 60
DE = EldoLED 0-10V 0% (linear), Max Lumen = 60
DF = EldoLED 0-10V 1% (linear), Max Lumen = 60
DR = ERP 01-10V 1% (linear) lumen designation 100 only
DS = 0-10V 1% (linear) 347V only, Max Lumen = 60
DT = 0-10V 1% (linear) dim-to-off, Max Lumen = 60

Lutron Dimming Options
Maximum Lumen = 40
DG = Lutron Eco 1% (linear)
DH = Lutron 3 wire 1% (linear)
DJ = Lutron 2 wire 1% (linear)

DALI Dimming Options
Maximum Lumen = 60
DK = EldoLED DALI 0% (logarithmic)
DL = EldoLED DALI 1% (logarithmic)

DMX Dimming Options
RDM COMPLIANT
MAX LUMEN = 50
XG = DMX EldoLED 0% (logarithmic)
XH = DMX EldoLED 0% (linear)

Misc. Dimming Options
DQ = 2-wire forward/reverse phase (120V) and 0-10V 1% (linear) Max Lumen = 70
DP = ERP 2-Wire Forward/Reverse Phase (120V, lumen designation 100 only)

DMX Dimming Options (interfaced through 0-10V driver)
XA = DMX Xitanium 1% (linear), Max Lumen = 90
XB = DMX Xitanium 1% (logarithmic), Max Lumen = 90
XC = DMX EldoLED 0% (logarithmic), Max Lumen = 60
XD = DMX EldoLED 1% (logarithmic), Max Lumen = 60
XE = DMX EldoLED 0% (linear), Max Lumen = 60
XF = DMX EldoLED 1% (linear), Max Lumen = 60
XR = DMX ERP 1% (linear), lumen designation 100 only

DELIVERED LUMENS DATA

Data for fixtures in 3500K color temperature

FIXTURE	TRIM	LENS	WATTAGE	RATED LUMENS	DELIVERED LUMENS	BEAM DISTRIBUTION	LPW
P5CUNV1035K	P5CSAMW	OPEN	8	1000	642	67°	80.20
P5CUNV2035K	P5CSAMW	OPEN	16	2000	1426	67°	89.11
P5CUNV3035K	P5CSAMW	OPEN	24	3000	2139	67°	89.11
P5CUNV4035K	P5CSAMW	OPEN	32	4000	2852	67°	89.11
P5CUNV5035K	P5CSAMW	OPEN	41	5000	3565	67°	86.94
P5CUNV6035K	P5CSAMW	OPEN	50	6000	4206	67°	84.12
P5CUNV7035K	P5CSAMW	OPEN	59	7000	4848	67°	82.16
P5CUNV8035K	P5CSAMW	OPEN	68	8000	5561	67°	81.77
P5CUNV9035K	P5CSAMW	OPEN	86	9000	6487	67°	75.43
P5CUNV10035K	P5CSAMW	OPEN	91	10000	7129	67°	78.34
P5CUNV1035K	P5CSAMW1	CONICAL	8	1000	623	67°	77.84
P5CUNV2035K	P5CSAMW1	CONICAL	16	2000	1209	67°	75.54
P5CUNV3035K	P5CSAMW1	CONICAL	24	3000	2075	67°	86.45
P5CUNV4035K	P5CSAMW1	CONICAL	32	4000	2766	67°	86.45
P5CUNV5035K	P5CSAMW1	CONICAL	41	5000	3458	67°	84.34
P5CUNV6035K	P5CSAMW1	CONICAL	50	6000	4080	67°	81.60
P5CUNV7035K	P5CSAMW1	CONICAL	59	7000	4703	67°	79.70
P5CUNV8035K	P5CSAMW1	CONICAL	68	8000	5394	67°	79.33
P5CUNV9035K	P5CSAMW1	CONICAL	86	9000	6292	67°	73.17
P5CUNV10035K	P5CSAMW1	CONICAL	91	10000	6915	67°	75.99

Above values reflect 3500K color temperatures
 Scaling factors for other color temperatures: 2700K=0.92; 3000K=0.97; 4000K=1.01; 5000K=1.04
 Scaling Factor for 90 CRI=0.83
 Scaling Factor for Thrive = 0.54

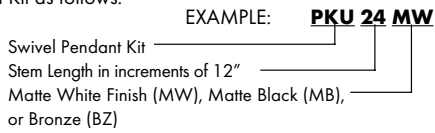
MOUNTING CONFIGURATIONS

MOUNTING: (Specify when ordering.)

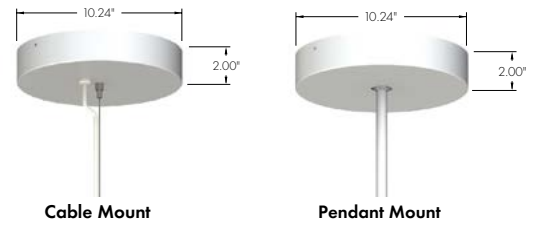
Pendant Mount – Swivel mount canopy allows cylinder to hang plumb up to 45° sloped ceiling stem 3/8" IPS (specify length in increments of 12") canopy adds 2.0" to overall length. Standard finish white powder coat.

Adjustable bail option may cause the fixture not to hang plumb when over adjusted. Locking collar (LC) is provided to lock swivel stem is an available option.

Specify Pendant Kit as follows:



Aviation Cable Mount – Supplied with 10' field adjustable aviation cable and straight cord.



Larger Ceiling Canopy Provided for Model with Emergency IEM Option

COLOR CHART

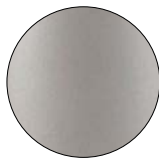
Standard Finishes (Powder Coat)



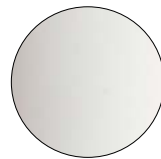
Matte Black (MB)



Bronze (BZ)



Satin Aluminum (SA)



Matte White (MW)

Special Finishes Available. Contact our sales department.

