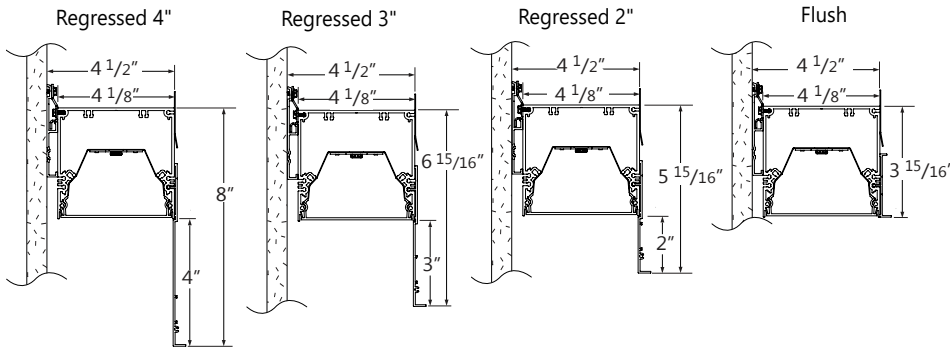


Project \_\_\_\_\_

Type \_\_\_\_\_

Notes \_\_\_\_\_



### PERFORMANCE PER LINEAR FOOT AT 4000K

NOMINAL LUMEN OUTPUT	INPUT WATTS*	EFFICACY
400 lm/ft	3.6 W/ft	110 lm/W
500 lm/ft	4.6 W/ft	109 lm/W
750 lm/ft	7.0 W/ft	106 lm/W
1000 lm/ft	9.6 W/ft	104 lm/W

\* Based on a 4 foot luminaire using one driver  
Please consult factory for custom lumen output and wattage.



Axitune  
Dim-to-Warm



Axitune  
Tunable White



Axitune  
Color Tuning



PoE



BIOS  
ILLUMINATED



UL US  
Listed



cULus Listed  
Type I.C.



### Ordering Guide

BBPRLED		NOM. LUMENS/FT		CRI		COLOR TEMP. (choose one)			
PRODUCT ID									
BBPRLED	Perimeter	300	300 lm/ft - Min.	80	80 CRI*	27	2700 K	TW2750	2700-5000 K - Tunable White
	Recessed LED	1000	1000 lm/ft - Max.	90	90 CRI**	30	3000 K	TW2765	2700-6500 K - Tunable White
		700	700 lm/ft - for TC1680 with UB lens*			35	3500 K	BTW3527	3500-2700 K - Tunable BIOS
						40	4000 K	BTW4027	4000-2700 K - Tunable BIOS
						B30	3000 K - BIOS*	DW3020	3000-2000 K - Dim to Warm
						B35	3500 K - BIOS*	TC1680	1650-8000 K - Color Tuning
						B40	4000 K - BIOS*		
Outputs between listed min and max are available. Consult factory for outputs outside of the listed range. Consult factory for max output with BIOS. *For shieldings other than UB there is a fixed lumen output. Please consult factory for more information.				*Not available with color tuning ** Not available with BIOS.		Consult Axitune technical sheet for more information on color technology. *Consult BIOS guide for more information on BIOS technology			

SHIELDING	TOTAL LENGTH	FINISH	VOLTAGE	DRIVER	CIRCUITS
FL flush	L total length	W white	120 120 V	DP dimming (0-10V) 1%	1 1 circuit
RG2 regressed 2"		C custom	277 277 V	LT(#) Lutron*	2 2 circuits
RG3 regressed 3"			347 347 V	BI bi-level dimming	+E(#) emergency circuit*
RG4 regressed 4"			UNV universal	O(#) other**	+NL(#) night light circuit*
UB Ultra blend lens**			DC low voltage*	DPB(STC) dimming (0-10V) 1% with BIOS*	+GTD(#) generator transfer device*
GZ graze, flush only				DPB(DYN) Bio-dimming™ 100%-81% with BIOS*	
GZ2 graze, 2"regress				TW(#) tunable white drivers*	
GZ3 graze, 3"regress				CT(#) color tuning drivers*	
GZ4 graze, 4"regress				POE(#) POE drivers*	
* Default lens for Color Tuning, Tunable white and BIOS. Consult factory for other lens.	Min total length 2'		* Only available with POE drivers.	*See page 2 to specify system **Please consult factory; see page 2	*Specify quantity

MOUNTING	TYPE (OPTIONAL)	BATTERY (OPTIONAL)	OTHER (OPTIONAL)	CUSTOM (OPTIONAL)
TB9 t-bar 9/16"	TS(#) telescopic sections	B(#) battery pack 4' sections	F fuse*	C custom
TB15 t-bar 15/16"			EF end feed	
ST screw slot t-bar			FW(#) flex whip (6' std)	
TG9 tegular 9/16"			CP Chicago plenum	
TG15 tegular 15/16"				
DF drywall flange				
DS drywall spackle flange				
TS section requires min length of 4'. Available on patterns. Recommended for longer runs or if exact perimeter length is not available. See page 2 for more details.	TS section requires min length of 4'. Available on patterns. Recommended for longer runs or if exact perimeter length is not available. See page 2 for more details.	Not available with 347V. Please consult factory. Not available with color tuning.	*Requires 120V or 277V	Please specify

### ● SPECIFICATIONS

#### CONSTRUCTION

<b>Housing</b>	Extruded aluminum (0.075" nominal) Up to 70% recycled content
<b>Interior Brackets</b>	Die formed sheet steel (18 gauge)
<b>Reflectors</b>	White powder coated sheet steel (22 gauge)
<b>Blank</b>	Extruded aluminum (0.075" nominal)
<b>Lens</b>	Spotless frosted acrylic lens
<b>T-Bar Bracket</b>	Die formed sheet steel (16 gauge)
<b>Screw Slot T-Bar Bracket</b>	Die formed sheet steel (16 gauge)
<b>Spackle Flange</b>	Extruded aluminum (0.070")
<b>All Flanges</b>	Extruded aluminum (0.070" nominal)

### ● ELECTRICAL

<b>Lutron driver*</b>	LDE1 - Hi-lume 1% EcoSystem with Soft-on, Fade-to-Black LTEA - Hi-lume 1% 2-wire (120V forward phase only) <small>*Consult factory</small>
<b>Other drivers</b>	DALI - Digital Addressable Lighting Interface DMX - Digital Multiplex LV - line voltage - Advance Mark 10 Xitanium SR - For wireless sensor
<b>BIOS DPB drivers*</b>	STC - BIOS control 0-10V with static spectrum and BIOS SkyBlue enabled from 100% to 1%. DYN - BIOS control 0-10V with dynamic spectrum and BIOS SkyBlue® with Bio-Dimming™, which changes spectral qualities by removing the SkyBlue component when dimming from 100% to 81%, while light output remains relatively constant; bio-dimming reduces CCT to 2700K. Dimming from 80% to 1% will then reduce light output.
<b>Tunable White TW drivers*</b>	DALIDT6 - DALI Type 6 (Two DALI Addresses) DALIDT8 - DALI Type 8 (One DALI Address) LTTW - Lutron T-Series Tunable White
<b>Color Tuning CT drivers*</b>	DMX - Standard (required for full color control) LTA5 - Lutron Araya 5 Ecosystem DALIDT8 - DALI Type 8 (Single DALI Address) DLM - Wattstopper DLM
<b>Power over Ethernet POE drivers*</b>	MOLEX IGOR UL2108 certified for integral or remote driver
<b>Emergency</b>	Integral emergency battery pack or emergency circuit optional.
<b>Input Voltage</b>	120V, 277V, 347V, UNV, DC.
<b>Flex Whip</b>	Shipped in a separate box for contractors to install

\*Choose driver from available options.

**i** Incorporating these components may have limitations or affect the length of the luminaire. Please contact factory for more details.

### ● WEIGHT

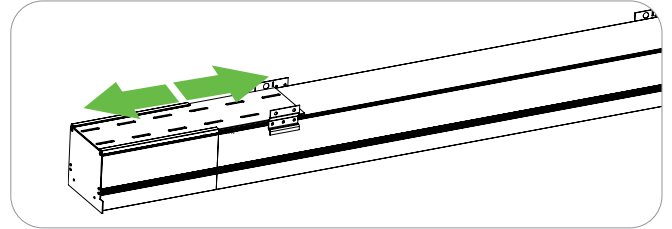
<b>Perimeter LED 4 ft</b>	14.5 lbs / 6.6 kg
<b>Perimeter LED 8 ft</b>	29.0 lbs / 13.2 kg
<b>Perimeter LED 12 ft</b>	43.5 lbs / 19.7 kg

### ● 7" TELESCOPIC ADJUSTMENT

Beam4 LED Perimeter system feature a patented telescopic sliding LED board design that allows runs to be field cut to facilitate installation and specification.

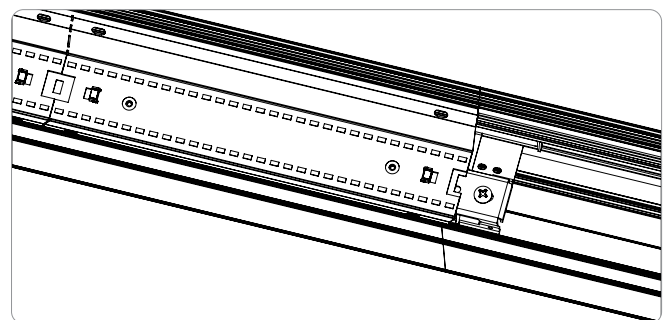
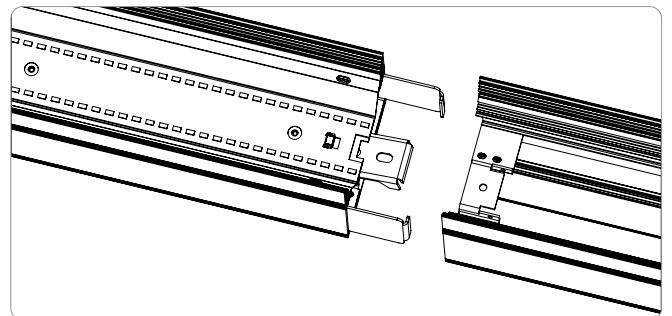
**NOTE:** Miter saw with aluminum cutting blade required on site for telescopic adjustments. If a 2nd telescopic section is required, minimum length is 8'.

**EXAMPLE:** Telescopic adjustment 7" (+4"/-3"). If a 10' 6" (126") fixture is specified, adjustable lengths with (1) TS section are between 123"-130".



### ● JOINERS

BEAM4 Perimeter LED has steel joiners with wedge alignment for easy installation.



JOINER SYSTEM

### ● APPROVALS

- Certified to UL and CSA standards
- Meets CCEC requirements (Chicago plenum)
- Meets NYC requirements
- Suitable for damp locations
- IC Rated (Insulated ceiling)

### ● LED SYSTEM

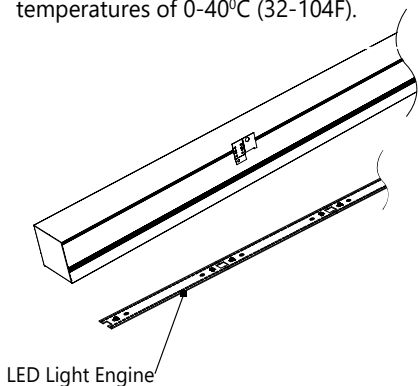
- CRI** Minimum 80 or 90 color rendering index.
- CRI BIOS** Minimum 80 color rendering index with R9>75 for all CCTs.
- CRI Color Tuning** Minimum 90 color rendering index.
- CCT Single Color** Choice of 2700K, 3000K, 3500K and 4000K color temperature with a great color consistency (within 3-step MacAdam ellipse). Both within fixture and fixture to fixture.
- CCT BIOS**

BIOS Static (STC) Choice of 3000K, 3500K and 4000K.

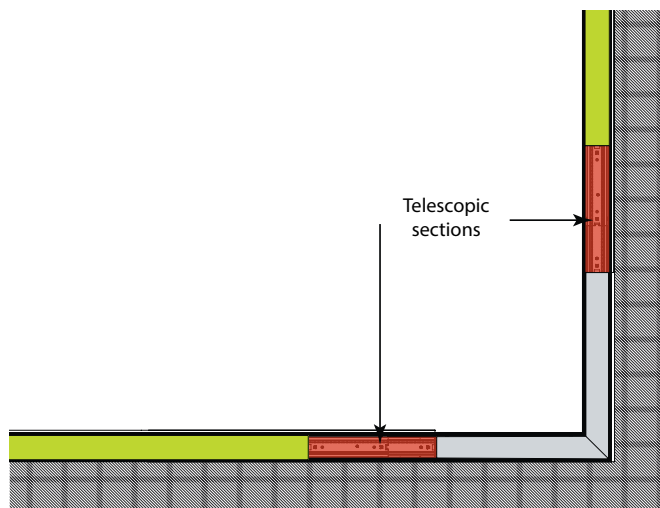
BIOS SkyBlue® Dynamic (DYN) Choice of 3000K, 3500K, and 4000K with Bio-Dimming™

BIOS Tunable White (BTW) Choice of 4000-2700K and 3500-2700K; does not use a bio-dimmer, it uses TW drivers, which allow independent control of CCT and intensity; e.g., BTW4027 provides combined SkyBlue + white light at 4000K, SkyBlue is removed at 2700K. Light output can be adjusted for each CCT.

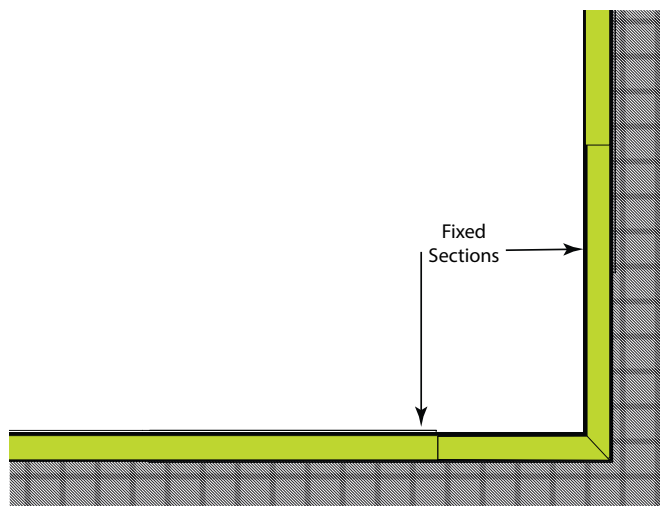
[Consult BIOS guide for more information on BIOS technology.](#)
- CCT Axitune Systems** [Consult Axitune technical sheet for more information on color technology.](#)
- LED life** Minimum 50,000h with 85% of lumen maintenance in 25°C ambient temperature, in compliance with IES LM-80 testing measurements.
- Thermal Management** Aluminum housing acting as the heat sink to maximize life.
- Environment** Dry and damp rated in operating ambient temperatures of 0-40°C (32-104F).



### ● SECTION QUANTITY

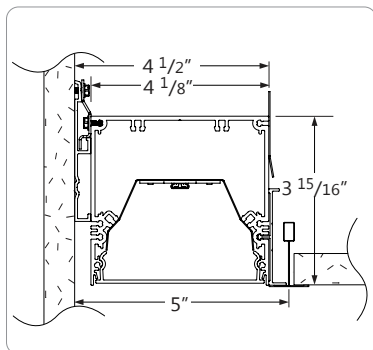


**TS TELESCOPIC SECTIONS**

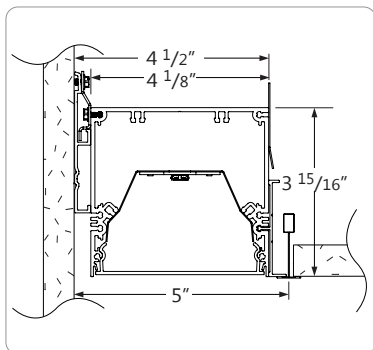


**FS FIXED SECTIONS**

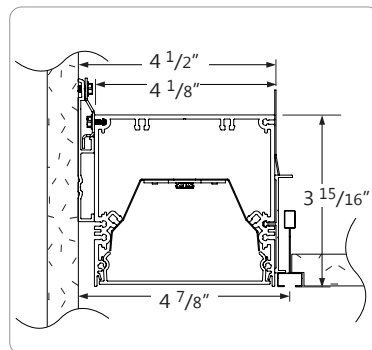
### ● TB CEILING MOUNTING OPTIONS



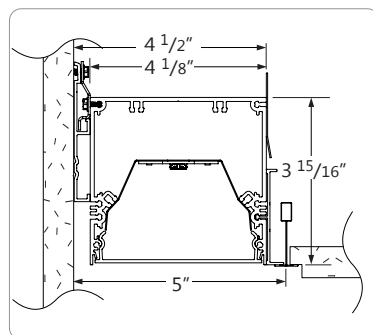
**TB15** 15/16" T-BAR



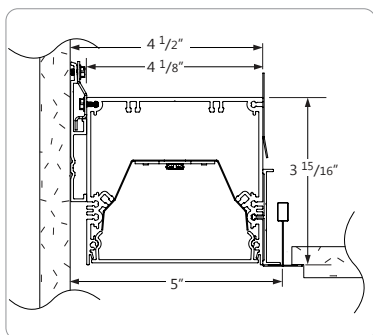
**TB9** 9/16" T-BAR



**ST** SCREW SLOT T-BAR

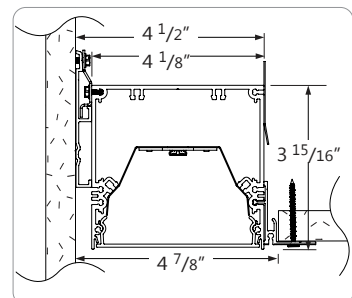


**TG9** 9/16" T-TEGULAR

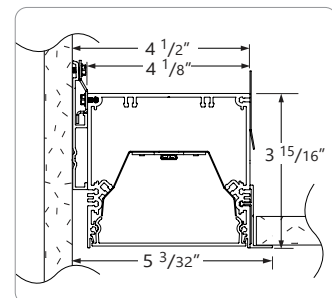


**TG15** 15/16" T-TEGULAR

### ● DRYWALL CEILING MOUNTING OPTIONS

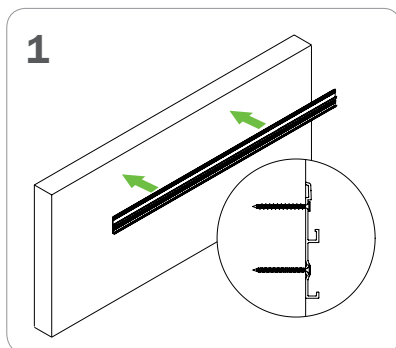


**DS** SPACKLE FLANGES

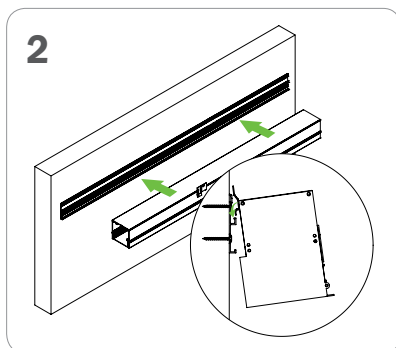


**DF** VISIBLE FLANGES  
WALL MOUNTING

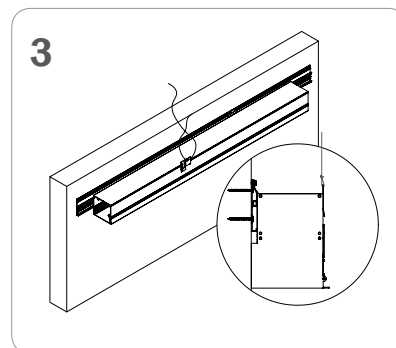
### ● INSTALLATION GUIDE



1  
Install wall track level and secure to structure at small grooves in extrusion.



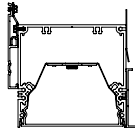
2  
Hook beam Perimeter luminaire onto wall track.



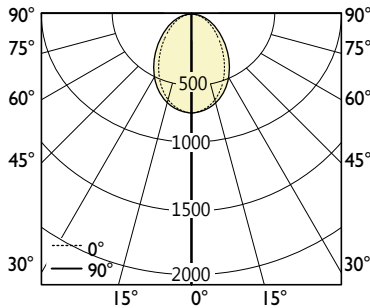
3  
Secure to wall track, secure to structure.

### ● PHOTOMETRIC DATA

400 lm/ft



#### PHOTOMETRIC CURVE



**Luminaire Lumens: 400 lm/ft**  
**Input Watts: 3.6 W/ft**  
**Efficacy: 110 lm/W**

IES FILE: BBPRLED-400-80-35.IES  
 TESTED ACCORDING TO IES LM-79-2008

#### CANDELA DISTRIBUTION

Vertical Angle	Horizontal Angles				
	0	22.5	45	67.5	90
0	708	708	708	708	708
5	701	704	701	704	706
15	663	665	659	655	657
25	591	589	578	567	565
35	495	489	472	455	450
45	385	380	361	343	337
55	278	272	256	241	235
65	178	174	163	154	150
75	91	90	85	81	79
85	23	23	21	21	21
90	0	0	0	0	0

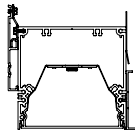
#### ZONAL LUMENS

Zone	Lumens
0	
0-10	67
10-20	186
20-30	266
30-40	295
40-50	279
50-60	230
60-70	163
70-80	91
80-90	25
90	

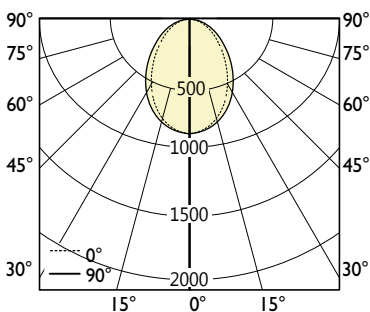
#### LUMINANCE DATA (cd/m<sup>2</sup>)

Vertical Angle	Horizontal Angles		
	0	45	90
45	4530	4241	3962
55	4028	3710	3412
65	3504	3213	2958
75	2918	2731	2530
85	2177	2049	1964

500 lm/ft



#### PHOTOMETRIC CURVE



**Luminaire Lumens: 500 lm/ft**  
**Input Watts: 4.6 W/ft**  
**Efficacy: 109 lm/W**

IES FILE: BBPRLED-500-80-35.IES  
 TESTED ACCORDING TO IES LM-79-2008

#### CANDELA DISTRIBUTION

Vertical Angle	Horizontal Angles				
	0	22.5	45	67.5	90
0	885	885	885	885	885
5	877	879	876	879	882
15	829	831	823	819	821
25	739	736	722	709	707
35	618	611	590	569	562
45	482	474	451	429	421
55	347	340	320	302	294
65	223	218	204	192	188
75	114	112	106	101	98
85	29	29	27	26	26
90	0	0	0	1	0

#### ZONAL LUMENS

Zone	Lumens
0	
0-10	83
10-20	232
20-30	332
30-40	369
40-50	348
50-60	287
60-70	204
70-80	113
80-90	31
90	

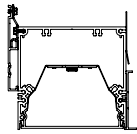
#### LUMINANCE DATA (cd/m<sup>2</sup>)

Vertical Angle	Horizontal Angles		
	0	45	90
45	5663	5301	4953
55	5035	4638	4265
65	4380	4017	3698
75	3648	3414	3163
85	2721	2561	2455

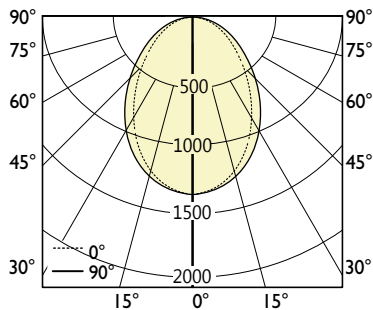
**i** All IES files are available for download at: [www.axislighting.com](http://www.axislighting.com)

### ● PHOTOMETRIC DATA

750 lm/ft



#### PHOTOMETRIC CURVE



**Luminaire Lumens: 750 lm/ft**  
**Input Watts: 7 W/ft**  
**Efficacy: 106 lm/W**

IES FILE: BBPRLED-750-80-35.IES  
 TESTED ACCORDING TO IES LM-79-2008

#### CANDELA DISTRIBUTION

Vertical Angle	Horizontal Angles				
	0	22.5	45	67.5	90
0	1328	1328	1328	1328	1328
5	1315	1319	1314	1319	1323
15	1244	1247	1235	1229	1231
25	1109	1104	1083	1064	1060
35	927	916	884	853	843
45	723	712	676	644	632
55	521	510	480	452	441
65	334	326	306	289	282
75	170	168	159	152	148
85	43	43	40	39	39
90	0	0	0	1	0

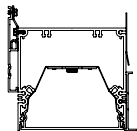
#### ZONAL LUMENS

Zone	Lumens
0	
0-10	125
10-20	348
20-30	498
30-40	553
40-50	523
50-60	431
60-70	306
70-80	170
80-90	47
90	

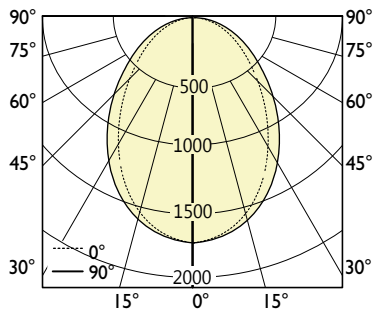
#### LUMINANCE DATA (cd/m<sup>2</sup>)

Vertical Angle	Horizontal Angles		
	0	45	90
45	8494	7952	7429
55	7553	6957	6397
65	6570	6025	5546
75	5472	5121	4744
85	4082	3842	3682

1000 lm/ft



#### PHOTOMETRIC CURVE



**Luminaire Lumens: 1000 lm/ft**  
**Input Watts: 9.6 W/ft**  
**Efficacy: 104 lm/W**

IES FILE: BBPRLED-1000-80-35.IES  
 TESTED ACCORDING TO IES LM-79-2008

#### CANDELA DISTRIBUTION

Vertical Angle	Horizontal Angles				
	0	22.5	45	67.5	90
0	1770	1770	1770	1770	1770
5	1753	1759	1752	1759	1764
15	1658	1663	1647	1638	1641
25	1478	1472	1444	1419	1413
35	1236	1222	1179	1138	1124
45	963	949	902	858	843
55	695	680	640	603	589
65	445	435	408	385	376
75	227	224	213	203	197
85	57	57	54	53	51
90	0	0	0	1	0

#### ZONAL LUMENS

Zone	Lumens
0	
0-10	166
10-20	464
20-30	664
30-40	737
40-50	697
50-60	575
60-70	407
70-80	227
80-90	62
90	

#### LUMINANCE DATA (cd/m<sup>2</sup>)

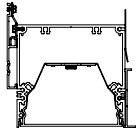
Vertical Angle	Horizontal Angles		
	0	45	90
45	11326	10602	9905
55	10070	9276	8530
65	8760	8033	7395
75	7295	6828	6325
85	5443	5123	4909

**i** All IES files are available for download at: [www.axislighting.com](http://www.axislighting.com)

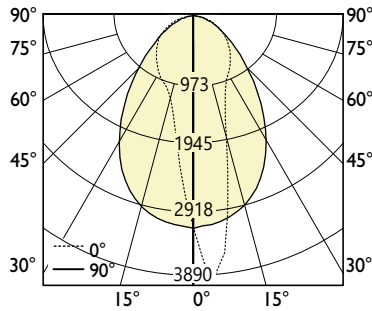
### ● PHOTOMETRIC DATA

Graze

1000 lm/ft



#### PHOTOMETRIC CURVE



**Luminaire Lumens: 4286 lm**  
**Input Watts: 37.59 W**  
**Efficacy: 114 lm/W**

IES FILE: BBPRLED-1000-80-35-GZ-4.IES  
 TESTED ACCORDING TO IES LM-79-2008

#### CANDELA DISTRIBUTION

Vertical Angle	Horizontal Angles				
	0	22.5	45	67.5	90
0	3198	3198	3198	3198	3198
5	3890	3885	3808	3556	3151
15	1935	2122	2799	3542	2954
25	1149	1204	1538	2630	2508
35	952	955	1038	1731	1850
45	780	775	783	1122	1186
55	601	584	567	700	702
65	418	392	364	405	394
75	225	202	177	186	179
85	48	43	36	34	31
90	2	2	2	2	2

#### ZONAL LUMENS

Zone	Lumens
0	
0-10	286
10-20	633
20-30	736
30-40	747
40-50	678
50-60	552
60-70	391
70-80	210
80-90	52
90	

#### LUMINANCE DATA (cd/m²)

Vertical Angle	Horizontal Angles		
	0	45	90
45	9034	9076	13744
55	8582	8104	10025
65	8103	7049	7648
75	7129	5603	5655
85	4525	3349	2931

**i** All IES files are available for download at: [www.axislighting.com](http://www.axislighting.com)