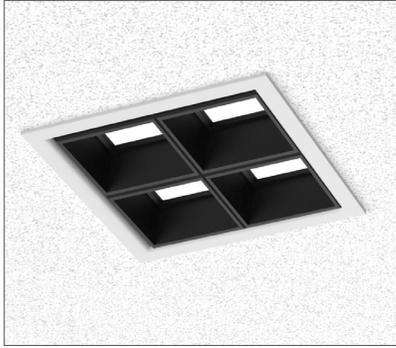


Pixel™ Mikrolite™ 1.5 | Recessed Downlights



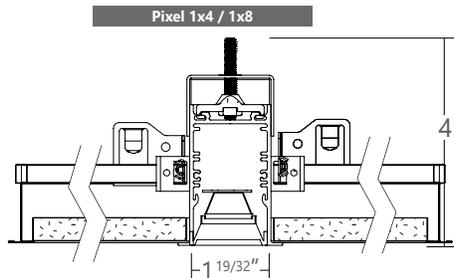
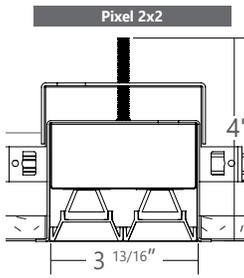
Pixel 2x2 shown



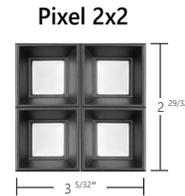
Pixel 1x4 shown



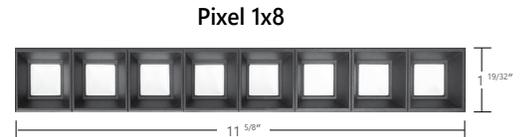
Pixel 1x8 shown



Project _____
 Type _____
 Notes _____



1 module contains 4 MikroLite cells



1 module contains 8 MikroLite cells

Please provide configuration drawings



Ordering Guide

Pixel lumen are based on unit

| PIMLR | | MODULE SIZE | | NOM. LUMENS/UNIT | | MikroLite BEAM SPREAD | | MikroLite CELL FINISH | | CRI | | COLOR TEMP | | |
|-------|--|---|-----|------------------|---------------|-----------------------|-----|-----------------------|-----|-------|----|------------|----|-------|
| PIMLR | Pixel MikroLite Recessed Downlights | 2x2 | 2x2 | 200 | 200 lm - Min | 2x2, 1x4 | D38 | 38 deg | GR | gray | 80 | 80 CRI | 27 | 2700K |
| | | 1x4 | 1x4 | 500 | 500 lm - Max | | D55 | 55 deg (standard) | W | white | 90 | 90 CRI | 30 | 3000K |
| | | 1x8 | 1x8 | 200 | 200 lm - Min | 1x8 | D60 | 60 deg | BLK | black | | | 35 | 3500K |
| | | | | 1000 | 1000 lm - Max | | | | | | 40 | 4000K | | |
| | | Outputs between listed min and max are available. Consult factory for outputs outside of the listed range. | | | | | | | | | | | | |

| FINISH | | VOLTAGE | | REMOTE DRIVER | | CIRCUITS | | MOUNTING/SUSPENSION | |
|--------|----------------|------------------------------------|--------------|---|-------------------------------------|----------|-----------|---------------------|------------------|
| AP | aluminum paint | 120 | 120 V | DP | dimming (0-10V) 1% - remote only | 1 | 1 circuit | TB9 | t-bar 9/16" |
| W | white | 277 | 277 V | LT | Lutron - remote only ⁽¹⁾ | | | TB15 | t-bar 15/16" |
| BLK | black | 347 | 347 V | BI | bi-level dimming - remote only | | | ST | screw slot t-bar |
| C | custom | UNV | universal | O | other - remote only ⁽²⁾ | | | TG9 | tegular 9/16" |
| | | DC | low voltage* | POE(#) | POE drivers ⁽¹⁾ | | | TG15 | tegular 15/16" |
| | | * Only available with POE drivers. | | Remote only. Please provide configuration drawing. (1) Specify system (2) Please consult factory; see page 2 | | | | | |

| OTHER (OPTIONAL) | IC CONTROLS (OPTIONAL) | CUSTOM (OPTIONAL) |
|-------------------------|--|-------------------|
| F fuse * | DS(#) daylight sensor OS(#) occupancy sensor DOS(#) daylight & occupancy sensor EN(#) Enlighted integral ENR(#) Enlighted remote WC(#) wireless control dimming | C custom |
| * Requires 120V or 277V | Please consult factory. See integrated controls guide for more details. | Please specify |

Pixel™ Mikrolite™ 1.5 | Recessed Downlights

● LED SYSTEM

| | |
|---------------------------|--|
| LED System | 4 or 8 cells in each module |
| LED optical System | Axis patent pending mixing chamber optic for high efficacy light control with deep square in square architectural downlight trim |
| CRI | Minimum 80 or 90 color rendering index |
| CCT | Choice of 2700K, 3000K, 3500K and 4000K color temperature with a great color consistency (within 3.0-step MacAdam ellipse). |
| Color Tuning | Cluster of 4 LED 2 on each diagonal for pure color mixing and no color over angle effects in the space |
| LED life | Minimum 50,000h with 85% of lumen maintenance in 25°C ambient temperature, in compliance with IES LM-80 testing measurements. |
| Thermal Management | Aluminum housing acting as the heat sink to maximize life. Extruded aluminum downlight heat sink |

● CONSTRUCTION

| | |
|----------------------------------|---|
| Housing 1x4 and 1x8 2x2 | Extruded aluminium Sheet metal housing |
| Interior Brackets | Die formed sheet steel (20 gauge) |
| Micro Downlight | High density composite Polycarbonate shielding and formed aluminum optical system |
| Mixing Lenses | Extruded acrylic |
| Micro Downlight Heat Sink | Extruded aluminum |

● ELECTRICAL

Remote drivers

| | |
|----------------------|---|
| Lutron driver | LDE1 - EcoSystem H-Series (1%) LTE - Hi-Lume® A-series 2Wires Forward Phase (1%) |
|----------------------|---|

| | |
|----------------------|--|
| Other drivers | DALI - Digital Addressable Lighting Interface DMX - Digital Multiplex LV - line voltage - Advance Mark 10 Xitanium SR - For wireless sensor |
|----------------------|--|

| | |
|--|--|
| Power over Ethernet POE drivers* (consult factory for more information) | MOLEX IGOR O - Other (Consult factory) |
| UL2108 certified for integral or remote driver | |

All drivers are remote

| | |
|----------------------|--|
| Emergency | remote emergency battery pack or emergency circuit optional. |
| Input Voltage | 120V, 277V, UNV. |

i Incorporating these components may have limitations or affect the length of the luminaire. Please contact factory for more details.

● APPROVALS

Certified to UL and CSA standards 
Suitable for damp locations.
Meets CCEC requirements (Chicago plenum)

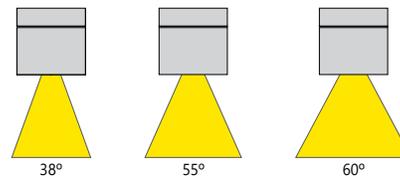
● WARRANTY

Axis lighting will warrant defective LEDs, boards, and drivers for 5 years from date of purchase. Warranty is valid if luminaire is installed and used according to specifications. If defective, Axis will send replacement boards or drivers at no cost along with detailed replacement instructions and instructions on how to return defective components to Axis.

● ECO FRIENDLY PROGRAM

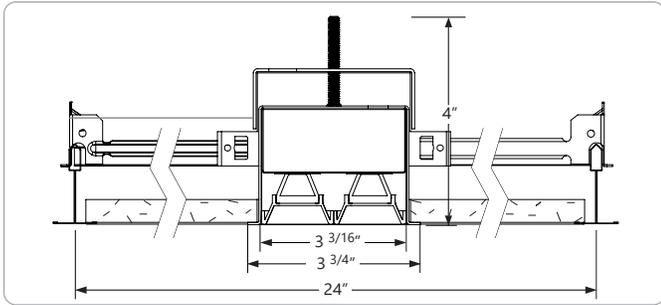
Pixel MikroLite meets the Living Building Challenge, is Halogen free and includes PVC free wiring in compliance with requirements. Please contact Axis for supporting documentation.

● BEAM SPREADS

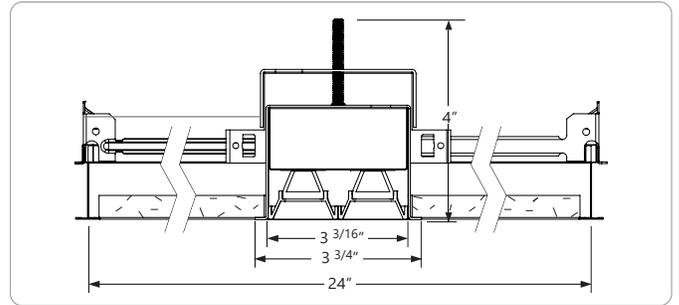


Pixel™ Mikrolite™ 1.5 | Recessed Downlights

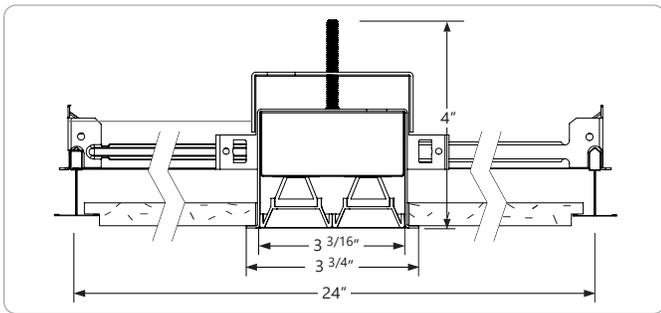
● TB CEILING MOUNTING OPTIONS



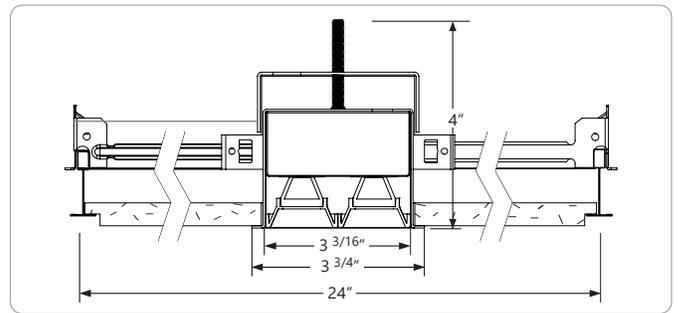
TB15 15/16" T-BAR



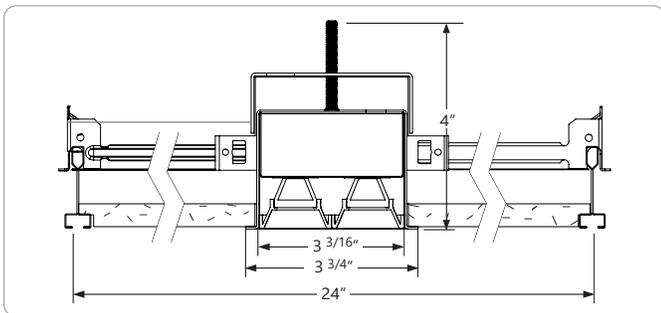
TB9 9/16" T-BAR



TG15 15/16" TEGULAR



TG9 9/16" T-TEGULAR



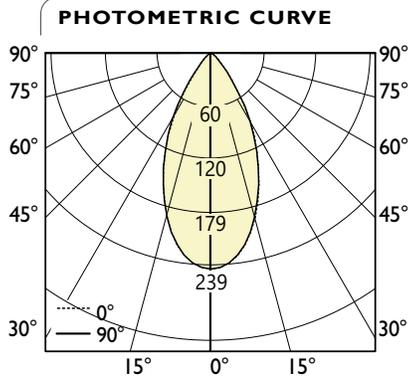
ST SCREW SLOT T-BAR

i Specification sheets and installation sheets for all mountings for MikroLite 1.5 luminaires are available for download at www.axislighting.com

Pixel™ Mikrolite™ 1.5 | Recessed Downlights

● PHOTOMETRIC DATA

MikroLite Recessed - 2x2
200 lm/unit



Total Lumens: 200 lm (2x2)
Input Watts: 1.8 W
Efficacy: 111 lm/W

IES FILE: PIMLR-2X2-200-80-35-W-1.IES
TESTED ACCORDING TO IES LM-79-2008

CANDELA DISTRIBUTION

| Vertical Angle | Horizontal Angles | | | | |
|----------------|-------------------|------|-----|------|-----|
| | 0 | 22.5 | 45 | 67.5 | 90 |
| 0 | 239 | 239 | 239 | 239 | 239 |
| 5 | 233 | 234 | 234 | 235 | 235 |
| 15 | 194 | 195 | 196 | 196 | 196 |
| 25 | 129 | 130 | 131 | 131 | 130 |
| 35 | 63 | 67 | 69 | 69 | 68 |
| 45 | 16 | 19 | 27 | 21 | 17 |
| 55 | 4 | 4 | 4 | 5 | 4 |
| 65 | 1 | 1 | 1 | 1 | 1 |
| 75 | 0 | 0 | 0 | 0 | 0 |
| 85 | 0 | 0 | 0 | 0 | 0 |
| 90 | 0 | 0 | 0 | 0 | 0 |

ZONAL LUMENS

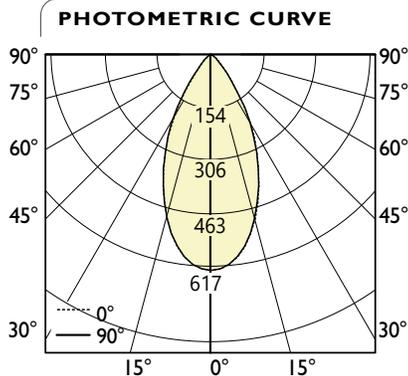
| Zone | Lumens |
|-------|--------|
| 0 | |
| 0-10 | 22 |
| 10-20 | 54 |
| 20-30 | 60 |
| 30-40 | 42 |
| 40-50 | 17 |
| 50-60 | 4 |
| 60-70 | 1 |
| 70-80 | 0 |
| 80-90 | 0 |
| 90 | |

LUMINANCE DATA (cd/m²)

| Vertical Angle | Horizontal Angles | | |
|----------------|-------------------|------|------|
| | 0 | 45 | 90 |
| 45 | 4110 | 7067 | 4452 |
| 55 | 1246 | 1422 | 1321 |
| 65 | 242 | 308 | 239 |
| 75 | 0 | 0 | 0 |
| 85 | 0 | 0 | 0 |

i All IES files are available for download at: www.axislighting.com

MikroLite Recessed - 2x2
500 lm/unit



Total Lumens: 516 lm (2x2)
Input Watts: 4.7 W
Efficacy: 110 lm/W

IES FILE: PIMLR-2X2-500-80-35-W-1.IES
TESTED ACCORDING TO IES LM-79-2008

CANDELA DISTRIBUTION

| Vertical Angle | Horizontal Angles | | | | |
|----------------|-------------------|------|-----|------|-----|
| | 0 | 22.5 | 45 | 67.5 | 90 |
| 0 | 617 | 617 | 617 | 617 | 617 |
| 5 | 602 | 604 | 604 | 605 | 605 |
| 15 | 501 | 503 | 506 | 506 | 505 |
| 25 | 332 | 335 | 339 | 338 | 335 |
| 35 | 164 | 172 | 179 | 179 | 175 |
| 45 | 41 | 48 | 70 | 53 | 44 |
| 55 | 10 | 11 | 11 | 12 | 11 |
| 65 | 1 | 2 | 2 | 2 | 1 |
| 75 | 0 | 0 | 0 | 0 | 0 |
| 85 | 0 | 0 | 0 | 0 | 0 |
| 90 | 0 | 0 | 0 | 0 | 0 |

ZONAL LUMENS

| Zone | Lumens |
|-------|--------|
| 0 | |
| 0-10 | 56 |
| 10-20 | 140 |
| 20-30 | 154 |
| 30-40 | 109 |
| 40-50 | 44 |
| 50-60 | 11 |
| 60-70 | 2 |
| 70-80 | 0 |
| 80-90 | 0 |
| 90 | |

LUMINANCE DATA (cd/m²)

| Vertical Angle | Horizontal Angles | | |
|----------------|-------------------|-------|-------|
| | 0 | 45 | 90 |
| 45 | 10603 | 18233 | 11486 |
| 55 | 3214 | 3668 | 3409 |
| 65 | 625 | 796 | 616 |
| 75 | 0 | 0 | 0 |
| 85 | 0 | 0 | 0 |

i All IES files are available for download at: www.axislighting.com