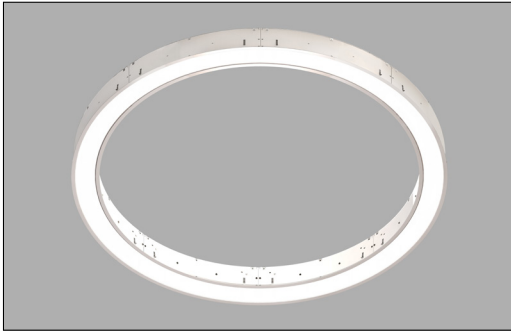


Sketch | Recessed



Project _____
 Type _____
 Notes _____

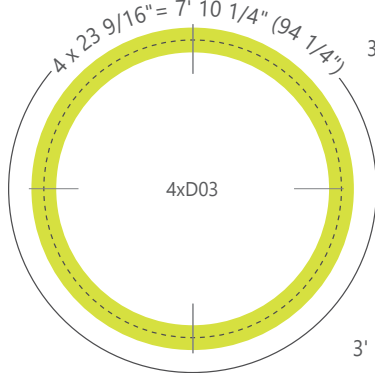
PERFORMANCE AT 4000K

NOMINAL LUMEN OUTPUT	INPUT WATTS*	EFFICACY
400 lm/ft	4.9 W/ft	82 lm/W
700 lm/ft	8.5 W/ft	82 lm/W

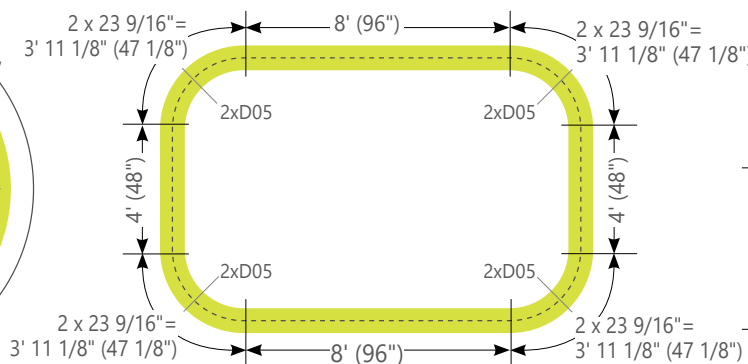
*for a 30" diameter circle luminaire.



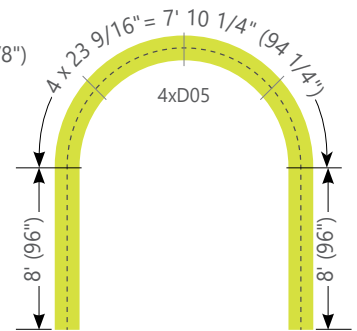
i Drawings are not to scale



SK-10003-CIR-AL7' 10 1/4"
Circle Pattern



SK-#-REC-AL43' 8 1/4"
Rectangle Pattern



SK-#-ASO-AL23' 10 1/4"
Other Shape Pattern

ALL ORDERS MUST BE SUBMITTED WITH DRAWINGS INDICATING DIMENSIONS, ANGLES AND DIAMETER

SK	PRODUCT ID	PROJECT REFERENCE #	PATTERNS	LENGTH	NOM. LUMENS/FT	CRI
SK	sketch recessed	10003 D03-30" diameter circle 10005 D05-60" diameter circle 10008 D08-90" diameter circle 10013 D13-150" diameter circle 10018 D18-210" diameter circle 10023 D23-270" diameter circle # for all other shapes*	REC rectangle CIR circle ARC arc section ASO other shape LIN linear run	AL(L) pattern length*	400 400 lm/ft 700 700 lm/ft	80 80 CRI 90 90 CRI*
		*For different radius consult factory.		* nominal length	Consult factory for max output with BIOS	* Not available with Bios.

COLOR TEMP. (choose one)	SHIELDING	FINISH	VOLTAGE	DRIVER	CIRCUITS
27 2700 K TW2750 2700-5000 K - Tunable White 30 3000 K TW2765 2700-6500 K - Tunable White 35 3500 K DW3020 3000-2000 K - Dim to Warm 40 4000 K B30 3000 K - Bios* B35 3500 K - Bios* B40 4000 K - Bios*	SO spotless lens	W white C custom	120 120 V 277 277 V 347 347 V UNV universal DC low voltage*	DP dimming (0-10V) 1% LT(#) Lutron* BI bi-level dimming O(#) other** DPB(#) dimming (0-10V) 1% with Bios* TW(#) tunable white drivers* POE(#) POE drivers*	1 1 circuit 2 2 circuits +E(#) emergency circuit* +NL(#) night light circuit* +GTD(#) generator transfer device*
Consult Axitune technical sheet for more information of color technology. *Consult BIOS guide for more information on BIOS technology			* Only available with POE drivers.	*See page 4 to specify system **Please consult factory, see page 4	* Specify system

MOUNTING/SUSPENSION	BATTERY (OPT.)	OTHER (OPTIONAL)	CUSTOM (OPTIONAL)
DF drywall flange DS drywall spackle flange	B(#) battery pack Consult factory for battery selection	CP chicago plenum F fuse* *Requires 120 V or 277 V.	C custom Please specify

i Patent pending

ALL ORDERS MUST BE SUBMITTED WITH DRAWINGS INDICATING DIMENSIONS, ANGLES AND DIAMETER

● LUMINAIRE SECTIONS

The center line indicates the diameter at the center of the curve. Regardless to the mounting style, the centre line remains the same. This is the dimension that should be used when planning a layout.

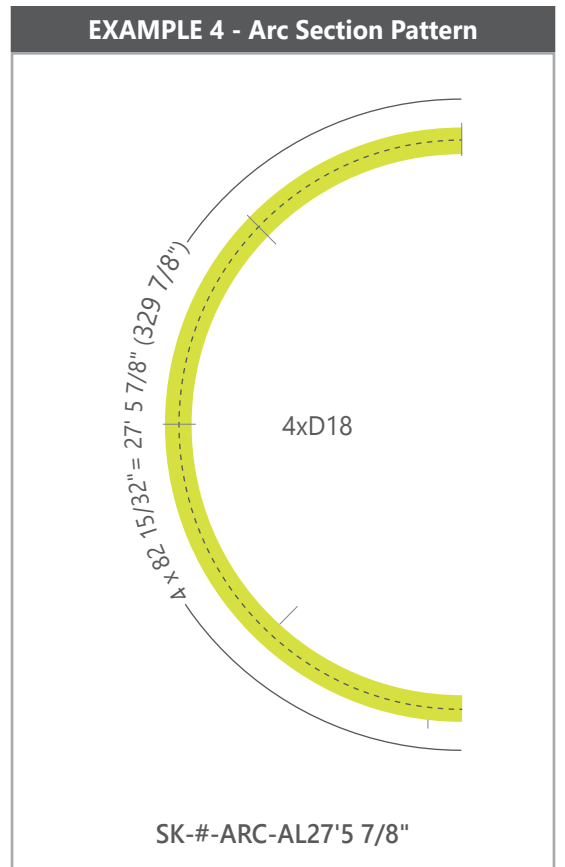
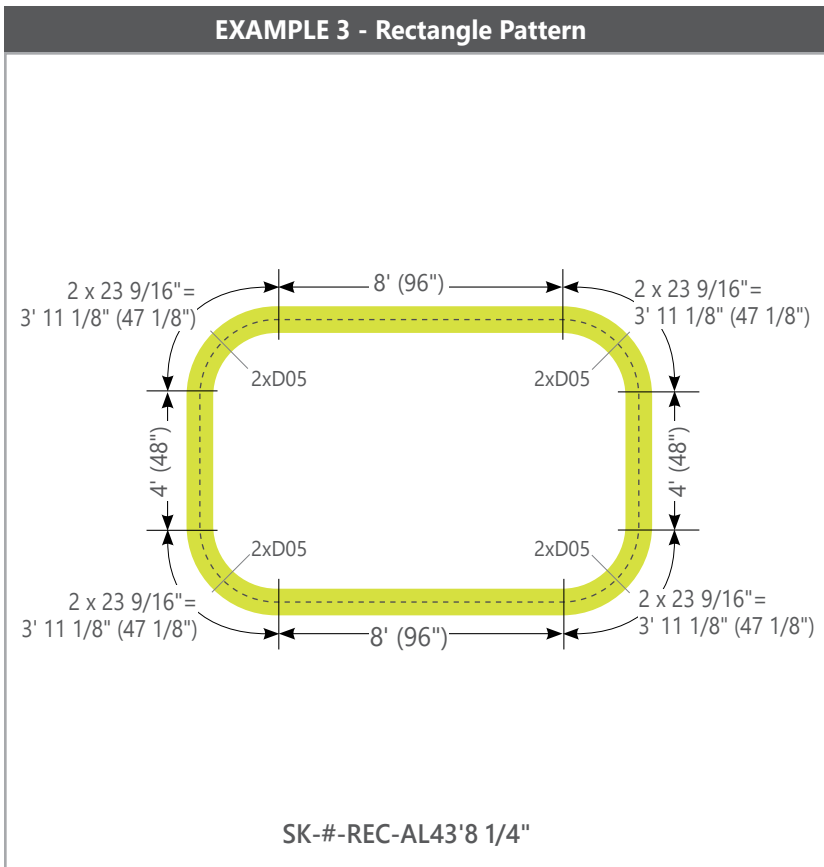
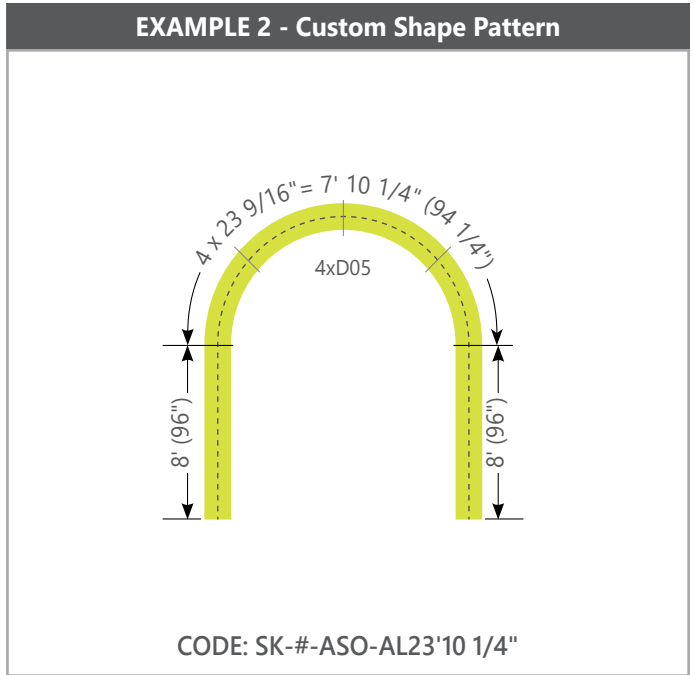
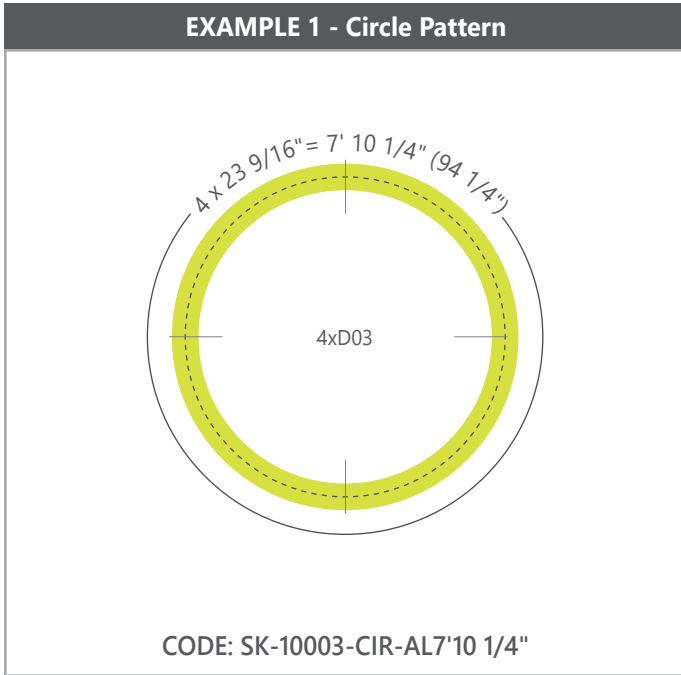


i Patent pending

ALL ORDERS MUST BE SUBMITTED WITH DRAWINGS INDICATING DIMENSIONS, ANGLES AND DIAMETER

● HOW TO ORDER?

i Drawings are not to scale



i Patent pending

● ELECTRICAL

Lutron driver*	LDE1 - Hi-lume 1% EcoSystem with Soft-on, Fade-to-Black LTEA - Hi-lume 1% 2-wire (120V forward phase only) *Consult factory
Other drivers**	DALI - Digital Addressable Lighting Interface DMX - Digital Multiplex LV - line voltage - Advance Mark 10 Xitanium SR - For wireless sensor
BIOS DPB drivers*	STC - BIOS control 0-10V with static spectrum and BIOS SkyBlue enabled from 100% to 1%. DYN - BIOS control 0-10V with dynamic spectrum and BIOS SkyBlue® with Bio-Dimming™ enabled 100% to 50%, light output dimming from 49% to 1%.
Tunable White TW drivers*	DALIDT6 - DALI Type 6 (Two DALI Addresses) DALIDT8 - DALI Type 8 (One DALI Address) LTTW - Lutron T-Series Tunable White
Power over Ethernet POE drivers*	MOLEX IGOR O - Other (Consult factory)
UL2108 certified for integral or remote driver	
Emergency	Integral emergency battery pack or emergency circuit optional.
Input Voltage	120V, 277V, 347V, UNV, DC.
Flex Whip	Shipped in a separate box for contractors to install

*Choose driver from available options.

i Incorporating these components may have limitations or affect the length of the luminaire. Please contact factory for more details.

● LED SYSTEM

CRI	Minimum 80 or 90 color rendering index.
CRI BIOS	Minimum 80 color rendering index with R9>75 for all CCTs.
CCT Single Color	Choice of 2700K, 3000K, 3500K and 4000K color temperature with a great color consistency (within 3-step MacAdam ellipse). Both within fixture and fixture to fixture.
CCT BIOS	BIOS Static (STC) Choice of 3000K, 3500K and 4000K. BIOS SkyBlue® Dynamic (DYN) Choice of 3000K, 3500K, and 4000K with Bio-Dimming™
	Consult BIOS guide for more information on BIOS technology.
CCT Axitune Systems	Consult Axitune technical sheet for more information on color technology.
LED life	Minimum 50,000h with 85% of lumen maintenance in 25°C ambient temperature, in compliance with IES LM-80 testing measurements.
Thermal Management	Aluminum housing acting as the heat sink to maximize life.
Environment	Dry and damp rated in operating ambient temperatures of 0-40°C (32-104F).

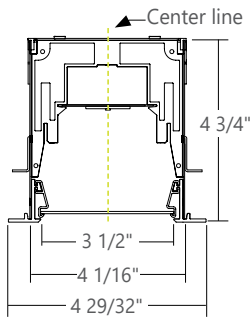
● PRODUCT DESCRIPTION

Sketch allows freedom to create shapes of continuous light. Its modules offer a wide range of options making possible to build partial and complete circles with 3', 5', 8', 13', 8', and 23' nominal diameters. These can be combined with straight sections.

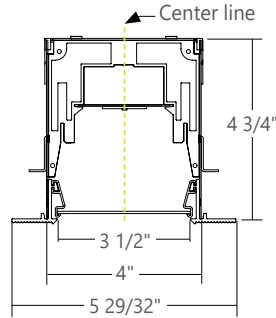
- i** Consult your Axis Representative to coordinate specification. A detailed drawing of the intended installation must be provided with each order.

● CEILING SYSTEM

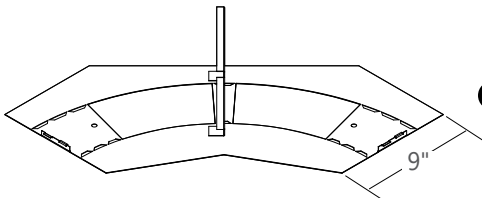
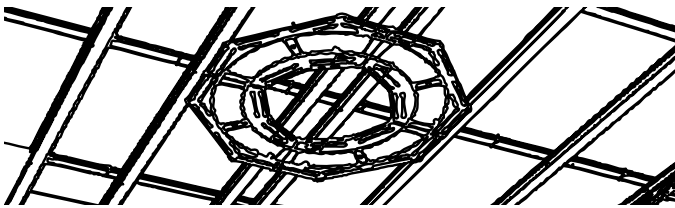
● DRYWALL WITH FLANGE



● DRYWALL SPACKLE FLANGE



● EASY INSTALLATION WITH MOUNTING PLATES



i Patent pending

Mounting plates are installed behind the sheetrock to guide the cutting for installation of the luminaire housing using a rotary saw. The plates also allow for the layout of the luminaires to be confirmed before the final cuts are made.

- i** Installation sheets for all mounting options will be available shortly at: www.axislighting.com

● WEIGHT

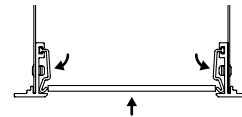
Approximately 5.4lbs/ft = 2.4kg/ft (linear)

● CONSTRUCTION

Housing Walls	Die formed cold rolled sheet steel (20 gauge)
Housing Top	Die formed cold rolled sheet steel (18 gauge)
Interior Brackets	Die formed cold rolled sheet steel (16 gauge)
Mounting Plates	Die formed cold rolled sheet steel (22 gauge)
Mounting brkts.	Die formed cold rolled sheet steel (16 gauge)
Joining brackets.	Die formed cold rolled sheet steel (16 gauge)
Incap & Cross Brkt.	Die cast aluminum
Flanges	Extruded aluminum

● LENS

Spotless Lens Highly transmissive laser cut polycarbonate 0.060" thick with easy snap installation.




i Patent pending

● FINISH

Highly reflective, white powder coat finish paint for high efficiency. Matte texture to diffuse glare and lamp image on the surface within the optical chamber exterior. Custom finishes are also available.

● APPROVALS

Certified to CSA standards 
 Chicago Plenum Certified (CCEA) on request
 Meets NYC requirements
 Suitable for damp locations.
 IC Rated (Insulated ceiling)

● RECOGNITIONS

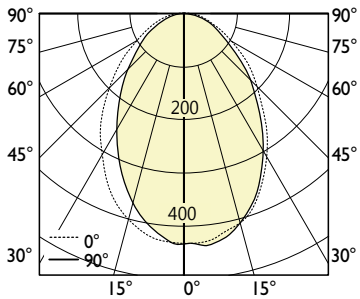
IES 2013- Recognized as a unique and significant advancement to the art and science of Lighting.
NGL 2013- Winner in the "Recognized" category.

● WARRANTY

Axis Lighting will warrant defective LEDs, boards, and drivers for 5 years from date of purchase. Warranty is valid if luminaire is installed and used according to specifications. If defective, Axis will send replacement boards or drivers at no cost along with detailed replacement instructions and instructions on how to return defective components to Axis.

● PHOTOMETRIC DATA

PHOTOMETRIC CURVE



Luminaire Lumens: 2483 lm
Input Watts: 30.24 W
Efficacy: 82.1 lm/W

IES FILE:
 (D08 ARC Section)
 SK-10008-ARC-AL1'-11 9/16"-400-80-40-SO-AL-UNV.ies

TESTED ACCORDING TO IES LM-79-2008

CANDELA DISTRIBUTION

Vertical Angle	Horizontal Angles				
	0	22.5	45	67.5	90
0	432	432	432	432	432
5	437	436	434	432	430
15	407	408	409	408	401
25	341	344	350	353	345
35	256	261	271	279	272
45	178	181	192	202	197
55	115	118	125	134	131
65	70	71	76	81	80
75	34	35	38	42	41
85	5	5	7	9	10
90	0	0	0	0	0

ZONAL LUMENS

Zone	Lumens
0	
0-10	40
10-20	110
20-30	151
30-40	158
40-50	138
50-60	106
60-70	71
70-80	37
80-90	8
90	

LUMINANCE DATA (CD/M²)

Vertical Angle	Horizontal Angles		
	0	45	90
45	4933	5321	5459
55	3929	4270	4475
65	3246	3524	3709
75	2574	2877	3104
85	1124	1574	2248

i All IES files are available for download at: www.axislighting.com

i Patent pending