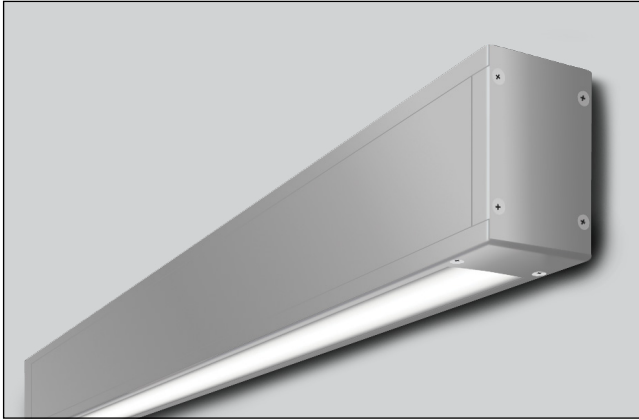


# Wet Beam DI LED | Wall mount



Project \_\_\_\_\_

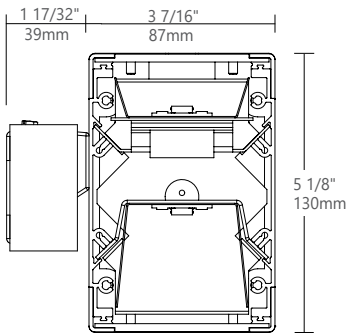
Type \_\_\_\_\_

Notes \_\_\_\_\_

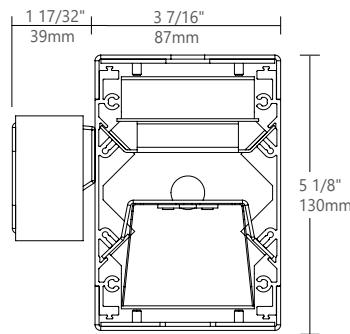
## PERFORMANCE PER LINEAR FOOT AT 3500K

NOMINAL LUMEN OUTPUT		INPUT WATTS*	EFFICACY
UPLIGHT	DOWNLIGHT		
450 lm/ft	500 lm/ft	13.55 W/ft	70 lm/W

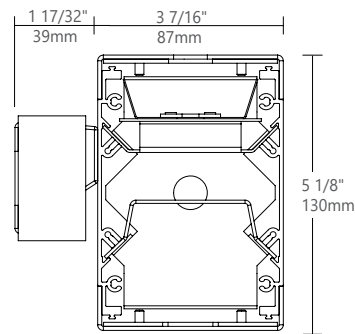
Please consult factory for custom lumen output and wattage.



Direct/Indirect



Direct



Indirect



## Ordering Guide

PRODUCT ID	NOM.LUMENS/FT UP	NOM.LUMENS/FT DOWN	CRI	COLOR TEMP.	SO SHIELDING UP
<b>WBDIWLED</b> Wall Direct/Indirect LED	<b>500</b> 500 lm/ft up - Minimum	<b>500</b> 500 lm/ft down - Minimum	<b>80</b> 80 CRI	<b>27</b> 2700 K	<b>SO</b> spotless lens
<b>WBDWLED</b> Wall Direct LED	<b>1000</b> 1000 lm/ft down - Maximum	<b>1000</b> 1000 lm/ft down - Maximum	<b>90</b> 90 CRI	<b>30</b> 3000 K	
<b>WBIWLED</b> Wall Indirect LED				<b>35</b> 3500 K <b>40</b> 4000 K	
Outputs between listed min and max are available. Consult factory for outputs outside of the listed range.		Outputs between listed min and max are available. Consult factory for outputs outside of the listed range.			Extruded Polycarbonate

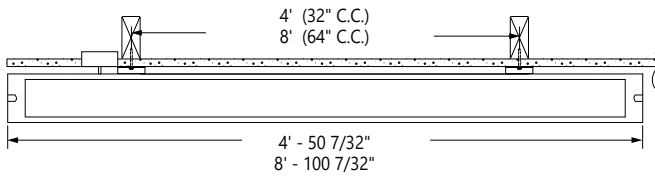
SO SHIELDING DOWN	LENGTH (FT)	FINISH	VOLTAGE	DRIVER	CIRCUITS
<b>SO</b> spotless lens	<b>2</b> 2' <b>3</b> 3' <b>4</b> 4' <b>6</b> 6' <b>8</b> 8' <b>12</b> 12' <b>S(L)</b> system run	<b>AP</b> aluminum paint <b>W</b> white <b>BLK</b> black <b>C</b> custom	<b>120</b> 120 V <b>277</b> 277 V <b>347</b> 347 V <b>UNV</b> universal <b>DC</b> low voltage*	<b>DP</b> dimming (0-10V) 1% <b>LT(#)</b> Lutron * <b>BI</b> bi-level dimming <b>O(#)</b> other ** <b>POE(#)</b> POE drivers*	<b>1</b> 1 circuit <b>2</b> 2 circuits <b>2A/B</b> 2 alternating <b>+E(#)</b> emergency section * <b>+NL(#)</b> night light section * <b>+GTD(#)</b> generator transfer device *
Extruded Polycarbonate	Minimum Length is 2ft Only available in full foot increments		* Only available with POE drivers.	* Operating up to -20°C; Specify system ** Please consult factory; see page 2	* Specify quantity

BATTERY (OPTIONAL)	OTHER (OPTIONAL)	IC CONTROLS (OPTIONAL)	CUSTOM (OPTIONAL)
<b>B(#)</b> battery pack	<b>F</b> fuse <b>BF</b> Back feed*	<b>OS(#)</b> occupancy sensor <b>EN</b> Enlighted integral <b>WC(#)</b> wireless control dimming	<b>C</b> custom <b>N</b> natatorium finish
Minimum 5ft; Not available with 347V Please consult factory	*See page 3 for more details.	See integrated controls guide for more details. Please consult factory	Please specify

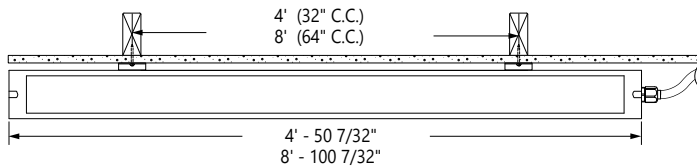
# Wet Beam DI LED | Wall mount

## ● MOUNTING OPTIONS

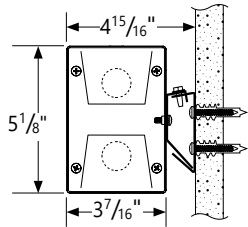
### TOP VIEW



### TOP VIEW - END FEED STANDARD (EF)



### END VIEW



**i** Row configuration, specification sheets and mounting spacing guides are available for download at: [www.axislighting.com](http://www.axislighting.com)

## ● OTHER MOUNTING OPTIONS

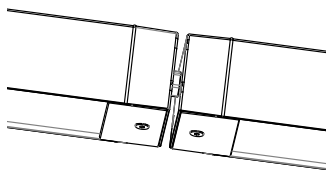
WET BEAM DI LED is also available in a pendant mount.

## ● WEIGHT

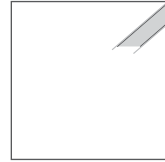
<b>Wall LED 4 ft</b>	15 lbs / 6.8 Kg
<b>Wall LED 8 ft</b>	30 lbs / 13.6 Kg

## ● GASKETTED FIXTURE

With its gasketed end cap and lens the WET BEAM DI LED is made for wet locations, and is ideal for exterior soffits and canopies of malls, hospitals and other institutions.



## ● OPTICS



### SPOTLESS LENS

Frosted acrylic snap-in lens with micro lens

50 spotless lens

## ● CONSTRUCTION

<b>Housing</b>	Extruded aluminum (0.062" nominal) Up to 70% recycled content
<b>End Cap</b>	Die cast zinc (0.070" nominal)
<b>Interior Brackets</b>	Die formed sheet steel (16 gauge)
<b>Gaskets</b>	Moulded elastomer (0.100" nominal)
<b>Lens Gaskets</b>	Extruded elastomer (0.045" nominal)
<b>Lens</b>	Extruded polycarbonate (0.125" nominal)
<b>Fasteners</b>	All external fasteners are temper proof TORX T15H

## ● ELECTRICAL

<b>Lutron driver*</b>	LDE1 - Hi-lume 1% EcoSystem with Soft-on, Fade-to-Black LTEA - Hi-lume 1% 2-wire (120V forward phase only) *Consult factory
<b>Other drivers**</b>	DALI - Digital Addressable Lighting Interface DMX - Digital Multiplex LV - line voltage - Advance Mark 10 Xitanium SR - For wireless sensor

<b>Power over Ethernet POE drivers*</b>	MOLEX IGOR O - Other (Consult factory)
UL2108 certified for integral or remote driver	

<b>Emergency</b>	Integral emergency battery pack or emergency circuit optional.
<b>Input Voltage</b>	120V, 277V, 347V, UNV.

**i** Incorporating these components may have limitations or affect the length of the luminaire. Please contact factory for more details.

## ● LED SYSTEM

<b>CRI</b>	Minimum 80 or 90 color rendering index.
<b>CCT</b>	Choice of 2700K, 3000K, 3500K and 4000K color temperature with a great color consistency (within 3-step MacAdam ellipse). Both within fixture and fixture to fixture.
<b>LED life</b>	Minimum 50,000h with 85% of lumen maintenance in 25°C ambient temperature, in compliance with IES LM-80 testing measurements.
<b>Thermal Management</b>	Aluminum housing acting as the heat sink to maximize life.

# Wet Beam DI LED | Wall mount

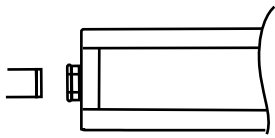
## ● WARRANTY

Axis Lighting will warrant defective LEDs, boards, and drivers for 5 years from date of purchase. Warranty is valid if luminaire is installed and used according to specifications. If defective, Axis will send replacement boards or drivers at no cost along with detailed replacement instructions and instructions on how to return defective components to Axis.

## ● FINISH

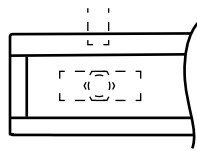
Powder coated and custom finishes are also available.

## ● POWER FEED



**EF** END FEED

**STANDARD**

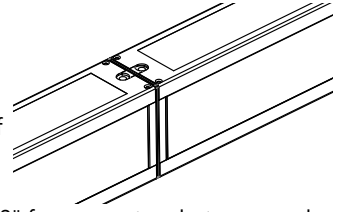


**BF** BACK FEED

**OPTIONAL**

## ● JOINER SYSTEM

WET BEAM DI LED modular system consists of smaller modules joined and gasketed together allowing for system runs in lengths of 4' and 8' as well as custom lengths up to 12'.



\* For continuous rows allow 2" for connectors between each fixture.

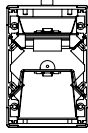
## ● APPROVALS

Certified wet locations to UL and CSA standards 

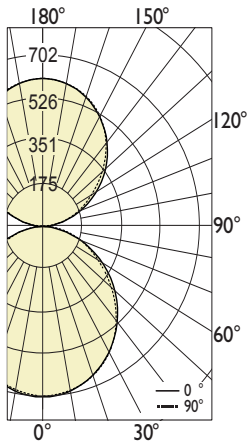
# Wet Beam DI LED | Wall mount

## PHOTOMETRIC DATA

Uplight 45%  
450 lm/ft  
Downlight 55%  
500 lm/ft



### PHOTOMETRIC CURVE



Luminaire Lumens: 450 lm/ft up  
500 lm/ft down

Input Watts: 13.55W/ft  
Efficacy: 70 lm/W

IES FILE: WBDILED-450-500-80-35-SO.IES  
TESTED ACCORDING TO IES LM-79-2008

### CANDELA DISTRIBUTION

Vertical Angle	Horizontal Angles				
	0	22.5	45	67.5	90
0	702	702	702	702	702
5	699	699	699	699	699
15	675	674	676	675	676
25	627	627	628	629	629
35	560	560	560	561	562
45	474	474	474	475	476
55	372	372	373	373	374
65	258	258	258	259	259
75	138	139	139	139	139
85	37	37	38	37	37
90	5	4	4	4	4
95	29	30	30	31	31
105	117	118	119	120	120
115	222	222	223	224	225
125	322	322	323	324	325
135	410	411	412	413	414
145	485	485	486	488	488
155	544	545	545	546	547
165	586	586	586	587	587
175	607	607	607	607	607
180	610	610	610	610	610

### ZONAL LUMENS

Zone	Lumens
0	
0-10	66
10-20	190
20-30	289
30-40	350
40-50	365
50-60	332
60-70	255
70-80	147
80-90	42
90-100	35
100-110	125
110-120	220
120-130	288
130-140	317
140-150	304
150-160	251
160-170	165
170-180	57
180	

### LUMINANCE DATA (cd/m<sup>2</sup>)

Vertical Angle	Horizontal Angles		
	0	45	90
45	9306	9306	9345
55	9003	9028	9052
65	8475	8475	8508
75	7402	7455	7455
85	5893	6053	5893

**i** All IES files are available for download at: [www.axislighting.com](http://www.axislighting.com)