

JOB NAME _____

CONTACT _____

ORDERING CODE _____

ORDERING CODE

LM-79

MOTO-ZERO 100 4" Motorized Track Spot Lumenetix

formalighting
COLLECTION



MOTOLUX by formalighting

DESCRIPTION

Motorized track mounted spot of cast aluminum. Motolux Spots are available in 3 different light head diameters 2.5", 4" and 5". Two motors drive the movements of the fixture, tilting up to 90° in each direction and rotating 350°. Moto Spot allows the user to shape the light beam from narrow to wide. The movements, beam shaping, dimming and color tuning are all controlled by CASAMBI®. LED technologies include static white, full spectrum tunable white, RGBW (130 only) and Lumenetix. Not all options are offered on every size head. Please see specs for exceptions. Optional glare reducing accessories include linear spread lens, honeycomb louver, visor and snoot. Excellent for retail, museum, gallery, hospitality, and small stage theatrical.

HOUSING

- Casted aluminum housing and driver enclosure with black or white finish.

MOUNTING

- ECO track / Halo® Power Trac track, Juno® track, and Lightolier®
 - Global Trac Systems, GEO (TEK) 2-circuit/2-neutral.

LISTING

- cCSAus Listed to UL1574 (track suitable for dry locations only)

LED INFO

- SDCM = 2-step MacAdam Ellipse, Duv +/- 0.002, Lumen Maintenance: L₇₀ > 72,000 hrs

SERIES	MOTO	Motorized Track Spot
TYPE	MS2	4" motorized track spot
LED	LMX	Lumenetix
DELIVERED LUMENS	10LM	710 lm
CCT	TC	tunable color, 8000K - 1650K
CRI	90	90 CRI
VOLTAGE	120	120V
LENS OPTION	10D 20D 30D	TIR optic 12°, CBCP 13,140 TIR optic 19°, CBCP 5,545 TIR optic 28°, CBCP 2,635
DIMMING	CAS	Casambi BLE control with flicker free 1% dimming
FINISH	WH BK	white black
MOUNTING OPTIONS	ECO JUNO LGTR GEO	ECO/HALO – Single Circuit JUNO – Single Circuit LIGHTOLIER – Single Circuit GEO – Two Circuit
ACCESSORIES	HCL	honeycomb louver

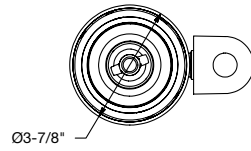
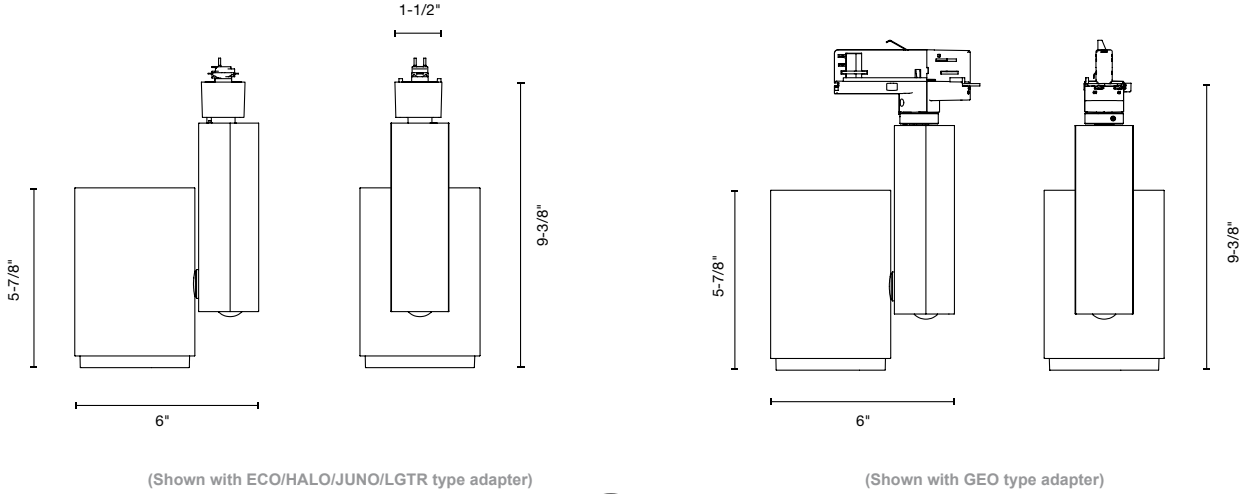
ORDERING CODE

Follow the steps to specify your fixture, example:
MOTO - MS2 - LMX - 10LM - TC - 90 - 120 - 20D - CAS - WH - ECO

LMX (LED)	POWER
DELIVERED LM	W (90 CRI)
710	31

Power Factor ≥ 0.9

PRODUCT DIMENSIONS



PRODUCT MOVEMENTS

