

JOB NAME _____

CONTACT _____

ORDERING CODE _____

ORDERING CODE

LM-79

MOTO-ZERO 100 4" Motorized Track Spot Static White

formalighting
COLLECTION

COB CASAMBI



MOTOLUX
by formalighting

DESCRIPTION

Motorized track mounted spot of cast aluminum. Motolux Spots are available in 3 different light head diameters 2.5", 4" and 5". Two motors drive the movements of the fixture, tilting up to 90° in each direction and rotating 350°. Moto Spot allows the user to shape the light beam from narrow to wide. The movements, beam shaping, dimming and color tuning are all controlled by CASAMBI®. LED technologies include static white, full spectrum tunable white, RGBW (130 only) and Lumenetix. Not all options are offered on every size head. Please see specs for exceptions. Optional glare reducing accessories include linear spread lens, honeycomb louver, visor and snoot. Excellent for retail, museum, gallery, hospitality, and small stage theatrical.

HOUSING

- Casted aluminum housing and driver enclosure with black or white finish.

MOUNTING

- ECO track / Halo® Power Trac track, Juno® track, and Lightolier®
- Global Trac Systems, GEO (TEK) 2-circuit/2-neutral and GEOX (XTSC) 3-circuit/1-neutral/1-databus

LISTING

- cCSAus Listed to UL1574 (track suitable for dry locations only)

LED INFO

- 90 CRI: SDCM = 3-step MacAdam Ellipse, Lumen Maintenance: L₇₀ > 60,000 hrs

SERIES	MOTO	Motorized Track Spot
TYPE	MS2	4" motorized track spot
LED	SW	static white
DELIVERED LUMENS	30LM	2860 lm
CCT	27K 30K 35K 40K	2700K 3000K 3500K 4000K
CRI	90	90 CRI
VOLTAGE	120	120V
REFLECTOR	10D 25D 55D	reflector 12°, CBCP 27,584 reflector 27°, CBCP 7,152 reflector 55°, CBCP 3,352
DIMMING	CAS DIM10 ¹	Casambi BLE control with flicker free 1% dimming flicker free 0-10V dimming to 1%
FINISH	WH BK	white black
MOUNTING OPTIONS	ECO JUNO LGTR GEO GEOX ¹	ECO/HALO – Single Circuit JUNO – Single Circuit LIGHTOLIER – Single Circuit GEO – Two Circuit GEO with databus – Three Circuit
ACCESSORIES	HCL LS SNOOT SHNT	honeycomb louver linear spread snoot shroud snoot

ORDERING CODE

Follow the steps to specify your fixture, example:
MOTO - MS2 - SW - 30LM - 27K - 90 - 120 - 25D - CAS - WH - ECO

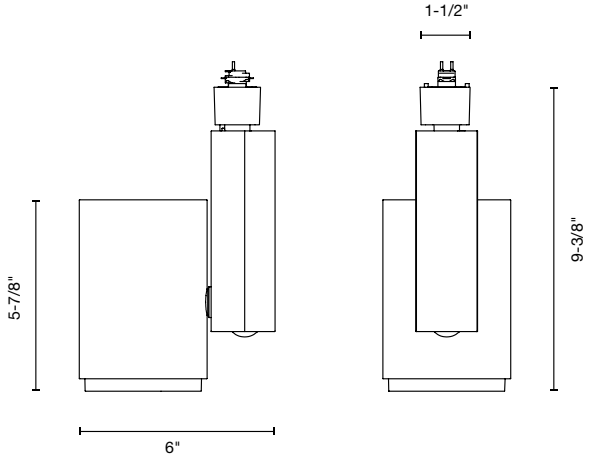
SW (LED)	POWER
DELIVERED LM	W (90 CRI)
2860	40

Power Factor ≥ 0.9

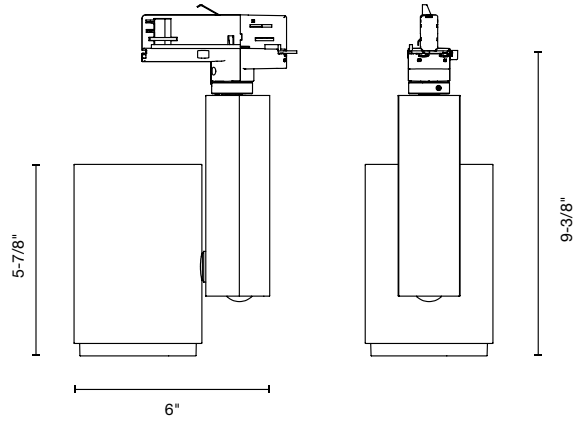
NOTES

1. 0-10V dimming available only with GEOX adapter.

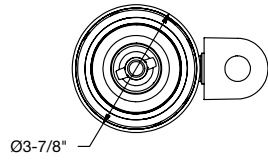
PRODUCT DIMENSIONS



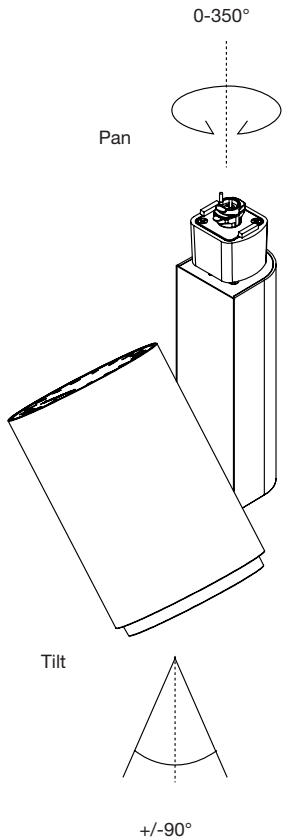
(Shown with ECO/HALO/JUNO/LGTR type adapter)



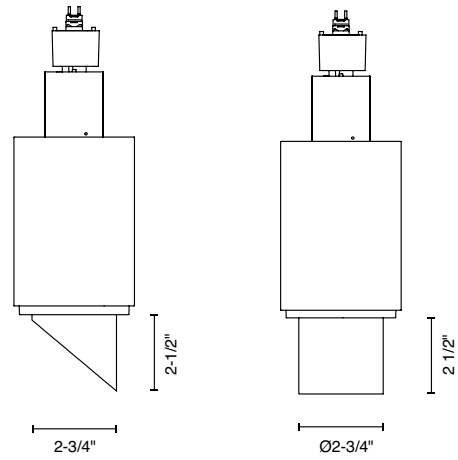
(Shown with GEO type adapter)



PRODUCT MOVEMENTS



ACCESSORIES



SHROUD SNOOT

SNOOT