

JOB NAME \_\_\_\_\_

CONTACT \_\_\_\_\_

ORDERING CODE \_\_\_\_\_

## ORDERING CODE

LM-79

**MOTO-ZERO 100**

**4" Motorized Track Spot  
Tunable White**

formalighting  
COLLECTION

LUMINUS

CASAMBI



**MOTOLUX**  
by formalighting

### DESCRIPTION

Motorized track mounted spot of cast aluminum. Motolux Spots are available in 3 different light head diameters 2.5", 4" and 5". Two motors drive the movements of the fixture, tilting up to 90° in each direction and rotating 350°. Moto Spot allows the user to shape the light beam from narrow to wide. The movements, beam shaping, dimming and color tuning are all controlled by CASAMBI®. LED technologies include static white, full spectrum tunable white, RGBW (130 only) and Lumenetix. Not all options are offered on every size head. Please see specs for exceptions. Optional glare reducing accessories include linear spread lens, honeycomb louver, visor and snoot. Excellent for retail, museum, gallery, hospitality, and small stage theatrical.

### HOUSING

- Casted aluminum housing and driver enclosure with black or white finish.

### MOUNTING

- ECO track / Halo® Power Trac track, Juno® track, and Lightolier®  
- Global Trac Systems, GEO (TEK) 2-circuit/2-neutral.

### LISTING

- cCSAus Listed to UL1574 (track suitable for dry locations only)

### LED INFO

- Luminus tunable white COB:  
90 CRI, R9 > 70: SDCM = 3-step MacAdam Ellipse; Lumen Maintenance: L<sub>70</sub> > 54,000 hrs

<b>SERIES</b>	<b>MOTO</b>	Motorized Track Spot
<b>TYPE</b>	<b>MS2</b>	4" motorized track spot
<b>LED</b>	<b>TW'</b>	Tunable White (Luminus)
<b>DELIVERED LUMENS</b>	<b>25LM</b>	1775 lm
<b>CCT</b>	<b>2765</b>	2700K to 6500K tunable white
<b>CRI</b>	<b>90</b>	90 CRI
<b>VOLTAGE</b>	<b>120</b>	120V
<b>LENS OPTION</b>	<b>20D 30D 40D</b>	TIR optic 20° TIR optic 29° TIR optic 41°
<b>DIMMING</b>	<b>CAS</b>	Casambi BLE control with flicker free 1% dimming
<b>FINISH</b>	<b>WH BK</b>	white black
<b>MOUNTING OPTIONS</b>	<b>ECO JUNO LGTR GEO</b>	ECO/HALO – Single Circuit JUNO – Single Circuit LIGHTOLIER – Single Circuit GEO – Two Circuit
<b>ACCESSORIES</b>	<b>HCL</b>	honeycomb louver

### ORDERING CODE

Follow the steps to specify your fixture, example:  
**MOTO - MS2 - TW - 25LM - 2765 - 90 - 120 - 20D - CAS - WH - ECO**

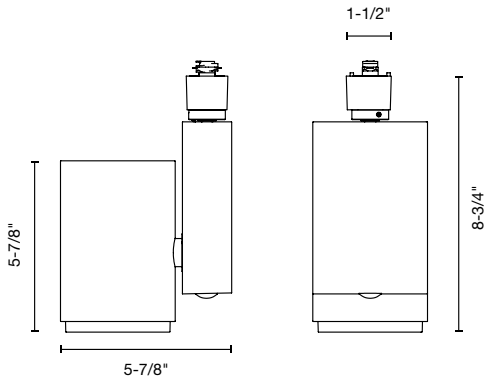
TW (LED)	POWER
DELIVERED LM	W (90 CRI)
1775	28

Power Factor ≥ 0.9

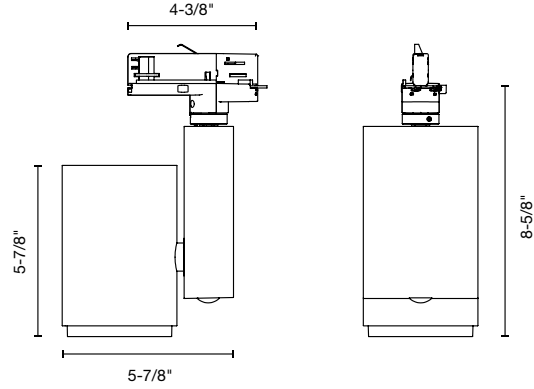
### NOTES

1. Large driver compartment used for TW.

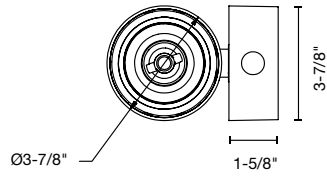
## PRODUCT DIMENSIONS



(Shown with ECO/HALO/JUNO/LGTR type adapter)



(Shown with GEO type adapter)



## PRODUCT MOVEMENTS

