

JOB NAME \_\_\_\_\_

CONTACT \_\_\_\_\_

ORDERING CODE \_\_\_\_\_

LM-79

**MOTO-ZERO 130**      **5" Motorized Track Spot**  
**RGBW**

formalighting  
COLLECTION



**MOTOLUX**  
by formalighting

**ORDERING CODE**

<b>SERIES</b>	<b>MOTO</b>	Motorized Track Spot
<b>TYPE</b>	<b>MS3</b>	5" motorized track spot
<b>LED</b>	<b>RGBW</b>	red, green, blue, cool white
<b>DELIVERED LUMENS</b>	<b>20LM</b>	1310 lm Standard Configuration: 4000K
<b>CCT</b>	<b>RGBW</b>	RGBW
<b>CRI</b>	<b>90</b>	90 CRI
<b>VOLTAGE</b>	<b>120</b>	120V
<b>LENS OPTION</b>	<b>10D 25D 35D</b>	TIR optic 12° TIR optic 24° TIR optic 36°
<b>DIMMING</b>	<b>CAS</b>	Casambi BLE control with flicker free 1% dimming
<b>FINISH</b>	<b>WH BK</b>	white black
<b>MOUNTING OPTIONS</b>	<b>ECO JUNO LGTR GEO</b>	ECO/HALO – Single Circuit JUNO – Single Circuit LIGHTOLIER – Single Circuit GEO – Two Circuit
<b>ACCESSORIES</b>	<b>HCL SNOOT</b>	honeycomb louver snoot

ORDERING CODE \_\_\_\_\_

Follow the steps to specify your fixture, example:  
**MOTO - MS3 - RGBW - 20LM - RGBW - 90 - 120 - 25D - CAS - WH - ECO**

RGBW (LED)	POWER
DELIVERED LM	W (90 CRI)
1310	34

Power Factor ≥ 0.9

**DESCRIPTION**

Motorized track mounted spot of cast aluminum. Motolux Spots are available in 3 different light head diameters 2.5", 4" and 5". Two motors drive the movements of the fixture, tilting up to 90° in each direction and rotating 350°. Moto Spot allows the user to shape the light beam from narrow to wide. The movements, beam shaping, dimming and color tuning are all controlled by CASAMBI®. LED technologies include static white, full spectrum tunable white, RGBW (130 only) and Lumenetix. Not all options are offered on every size head. Please see specs for exceptions. Optional glare reducing accessories include linear spread lens, honeycomb louver, visor and snoot. Excellent for retail, museum, gallery, hospitality, and small stage theatrical.

**HOUSING**

- Casted aluminum housing and driver enclosure with black or white finish.

**MOUNTING**

- ECO track / Halo® Power Trac track, Juno® track, and Lightolier®  
- Global Trac Systems, GEO (TEK) 2-circuit/2-neutral.

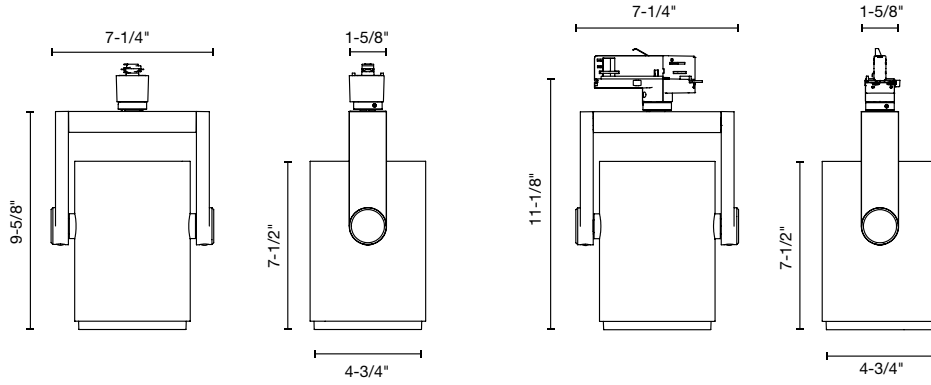
**LISTING**

- cCSAus Listed to UL1574 (track suitable for dry locations only)

**LED INFO**

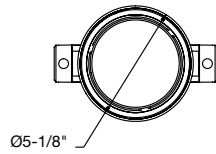
- TX-3535 RGBW:  
90 CRI, R9 > 70: SDCM = 3-step MacAdam Ellipse; Lumen Maintenance: L<sub>70</sub> > 56,000 hrs

## PRODUCT DIMENSIONS



(Shown with ECO/HALO/JUNO/LGTR type adapter)

(Shown with GEO type adapter)



## PRODUCT MOVEMENTS

