

JOB NAME _____

CONTACT _____

ORDERING CODE _____

ORDERING CODE

LM-79

MOTO-ZERO 130 5" Motorized Track Spot Tunable White

formalighting
COLLECTION



MOTOLUX
by formalighting

SERIES	MOTO	Motorized Track Spot
TYPE	MS3	5" motorized track spot
LED	TW	Tunable White (Luminus)
DELIVERED LUMENS	30LM	2900 lm
CCT	2765	2700K to 6500K tunable white
CRI	90	90 CRI
VOLTAGE	120	120V
LENS OPTION	20D 30D 40D	TIR optic 20° TIR optic 30° TIR optic 40°
DIMMING	CAS	Casambi BLE control with flicker free 1% dimming
FINISH	BK WH	black white
MOUNTING OPTIONS	ECO JUNO LGTR GEO	ECO/HALO – Single Circuit JUNO – Single Circuit LIGHTOLIER – Single Circuit GEO – Two Circuit
ACCESSORIES	HCL SNOOT	honeycomb louver snoot

ORDERING CODE _____

Follow the steps to specify your fixture, example:
MOTO - MS3 - TW - 30LM - 2765 - 90 - 120 - 20D - CAS - WH - ECO

TW (LED)	POWER
DELIVERED LM	W (90 CRI)
2900	37

Power Factor ≥ 0.9

DESCRIPTION

Motorized track mounted spot of cast aluminum. Motolux Spots are available in 3 different light head diameters 2.5", 4" and 5". Two motors drive the movements of the fixture, tilting up to 90° in each direction and rotating 350°. Moto Spot allows the user to shape the light beam from narrow to wide. The movements, beam shaping, dimming and color tuning are all controlled by CASAMBI®. LED technologies include static white, full spectrum tunable white, RGBW (130 only) and Lumenetix. Not all options are offered on every size head. Please see specs for exceptions. Optional glare reducing accessories include linear spread lens, honeycomb louver, visor and snoot. Excellent for retail, museum, gallery, hospitality, and small stage theatrical.

HOUSING

- Casted aluminum housing and driver enclosure with black or white finish.

MOUNTING

- ECO track / Halo® Power Trac track, Juno® track, and Lightolier®
 - Global Trac Systems, GEO (TEK) 2-circuit/2-neutral.

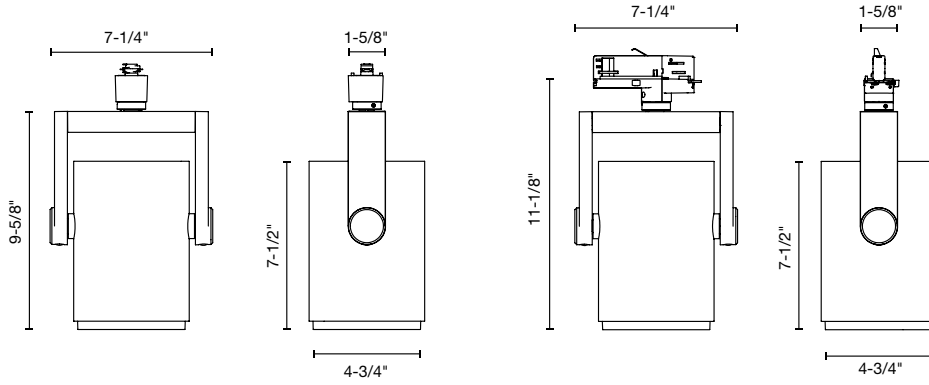
LISTING

- cCSAus Listed to UL1574 (track suitable for dry locations only)

LED INFO

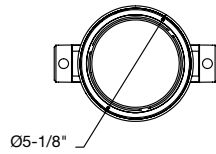
- Luminus tunable white COB:
 90 CRI, R9 > 70: SDCM = 3-step MacAdam Ellipse; Lumen Maintenance: L₇₀ > 54,000 hrs

PRODUCT DIMENSIONS



(Shown with ECO/HALO/JUNO/LGTR type adapter)

(Shown with GEO type adapter)



PRODUCT MOVEMENTS

