

JOB NAME _____

CONTACT _____

ORDERING CODE _____

ORDERING CODE

LM-79

MOTO-ZERO 66 **2.5" Motorized Track Spot**
Static White, Super Narrow

formalighting
COLLECTION

CASAMBI



MOTOLUX
by formalighting

DESCRIPTION

Motorized track mounted spot of cast aluminum. Motolux Spots are available in 3 different light head diameters 2.5", 4" and 5". Two motors drive the movements of the fixture, tilting up to 90° in each direction and rotating 350°. Moto Spot allows the user to shape the light beam from narrow to wide. The movements, beam shaping, dimming and color tuning are all controlled by CASAMBI®. LED technologies include static white, full spectrum tunable white, RGBW (130 only) and Lumenetix. Not all options are offered on every size head. Please see specs for exceptions. Optional glare reducing accessories include linear spread lens, honeycomb louver, visor and snoot. Excellent for retail, museum, gallery, hospitality, and small stage theatrical.

HOUSING

- Casted aluminum housing and driver enclosure with black or white finish.

MOUNTING

- ECO track / Halo® Power Trac track, Juno® track, and Lightolier®
 - Global Trac Systems, GEO (TEK) 2-circuit/2-neutral and GEOX (XTSC) 3-circuit/1-neutral/1-databus

LISTING

- cCSAus Listed to UL1574 (track suitable for dry locations only)

LED INFO

- 90 CRI: SDCM = 3-step MacAdam Ellipse, Lumen Maintenance: L₇₀ > 60,500 hrs

SERIES	MOTO	Motorized Track Spot
TYPE	MS1	2.5" motorized track spot
LED	SW	Static White, single high power LED
DELIVERED LUMENS	07LM	440 lm
CCT	27K 30K 35K 40K	2700K 3000K 3500K 4000K
CRI	90	90 CRI
VOLTAGE	120	120V
LENS OPTION	N	narrow, TIR optic 5°, CBCP 19,345
DIMMING	CAS DIM10¹	Casambi BLE control with flicker free 1% dimming flicker free 0-10V dimming to 1%
FINISH	WH BK	white black
MOUNTING OPTIONS	ECO JUNO LGTR GEO GEOX¹	ECO/HALO – Single Circuit JUNO – Single Circuit LIGHTOLIER – Single Circuit GEO – Two Circuit GEO with databus – Three Circuit

ORDERING CODE

Follow the steps to specify your fixture, example:

MOTO - MS1 - SW - 07LM - 27K - 90 - 120 - N - CAS - WH - ECO

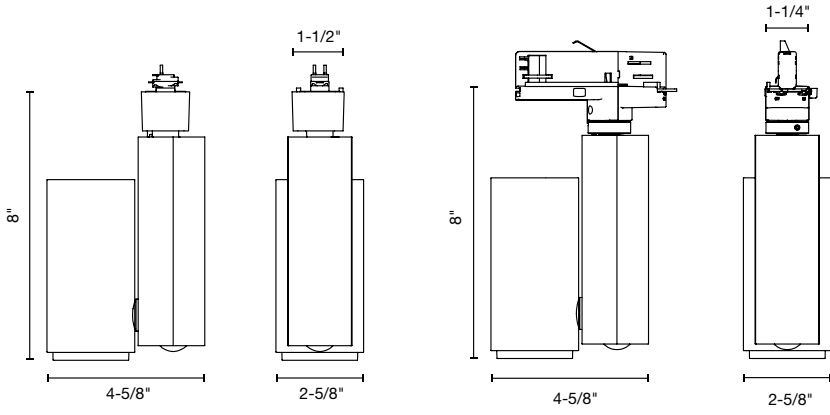
SW (LED)	POWER
DELIVERED LM	W (90 CRI)
440	29

Power Factor ≥ 0.9

NOTES

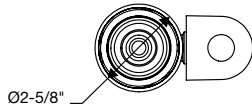
1. 0-10V dimming available only with GEOX adapter.

PRODUCT DIMENSIONS



(Shown with ECO/HALO/JUNO/LGTR type adapter)

(Shown with GEO type adapter)



PRODUCT MOVEMENTS

