

JOB NAME \_\_\_\_\_

CONTACT \_\_\_\_\_

ORDERING CODE \_\_\_\_\_

## ORDERING CODE

LM-79

# MOTO-ZERO ZOOM 130

## 5" Motorized Zoom Track Spot Static White

formalighting  
COLLECTION

COB CASAMBI



MOTOLUX  
by formalighting

SERIES	MOTO	Motorized Track Spot
TYPE	MZ3	5" motorized zoom track spot
LED	SW	static white
DELIVERED LUMENS	25LM	2025 lm
CCT	27K 30K 35K 40K	2700K 3000K 3500K 4000K
CRI	90	90 CRI
VOLTAGE	120	120V
LENS OPTION	BS3	beam shaping 7°-18°, TIR optic, CBCP 85,457
DIMMING	CAS	Casambi BLE control with flicker free 1% dimming
FINISH	WH BK	white black
MOUNTING OPTIONS	ECO JUNO LGTR GEO	ECO/HALO – Single Circuit JUNO – Single Circuit LIGHTOLIER – Single Circuit GEO – Two Circuit
ACCESSORIES	HCL	honeycomb louver

### ORDERING CODE

\_\_\_\_\_

Follow the steps to specify your fixture, example:

MOTO - MZ3 - SW - 30LM - 27K - 90 - 120 - BS3 - CAS - BK - ECO

SW (LED)	POWER
DELIVERED LM	W (90 CRI)
2025	29

Power Factor ≥ 0.9

### DESCRIPTION

Motorized track mounted spot of cast aluminum. Motolux Spots are available in 3 different light head diameters 2.5", 4" and 5". Two motors drive the movements of the fixture, tilting up to 90° in each direction and rotating 350°. Moto Zoom allows the user to shape the light beam from narrow to wide. The movements, beam shaping, dimming and color tuning are all controlled by CASAMBI®. LED technologies include static white, full spectrum tunable white, RGBW (130 only) and Lumenetix. Not all options are offered on every size head. Please see specs for exceptions. Optional glare reducing accessories include linear spread lens, honeycomb louver, visor and snoot. Excellent for retail, museum, gallery, hospitality, and small stage theatrical.

### HOUSING

- Casted aluminum housing and driver enclosure with black or white finish.

### MOUNTING

- ECO track / Halo® Power Trac track, Juno® track, and Lightolier®  
- Global Trac Systems, GEO (TEK) 2-circuit/2-neutral.

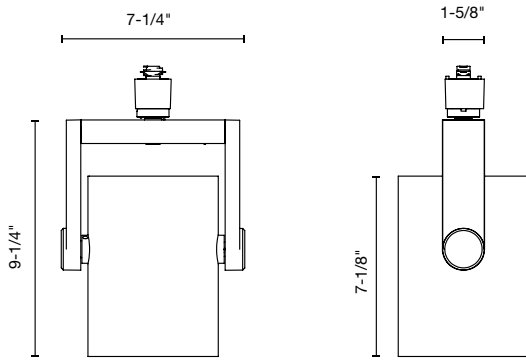
### LISTING

- cCSAus Listed to UL1574 (track suitable for dry locations only)

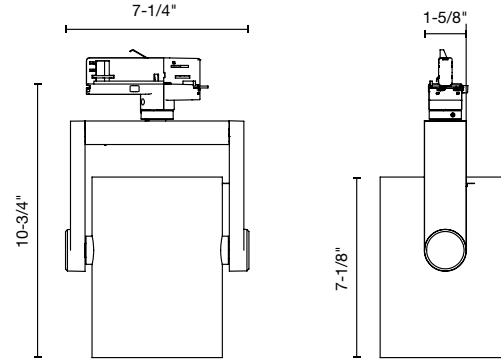
### LED INFO

- 90 CRI: SDCM = 3-step MacAdam Ellipse, Lumen Maintenance: L<sub>70</sub> > 55,000 hrs

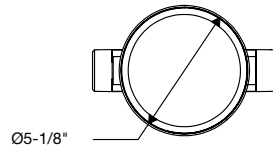
## PRODUCT DIMENSIONS



(Shown with ECO/HALO/JUNO/LGTR type adapter)



(Shown with GEO type adapter)



## PRODUCT MOVEMENTS

