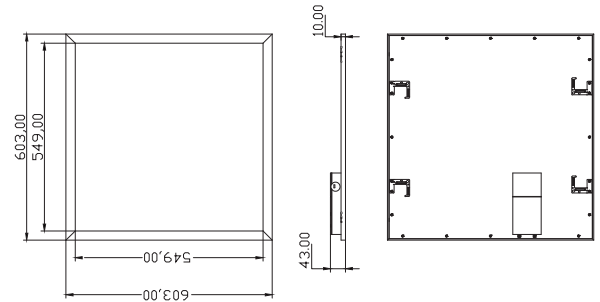


4112

120V-277V Universal Voltage

Catalog #:		Type
Project:		Date
Prepared by:		

2x2 LED Flat Panel



2x2 LED Flat Panel

DESCRIPTION

A panel light that is an economical, lightweight and easy to use solution that installs easily into standard lay-in grid ceilings. These panels are ready for use in a variety of both commercial and residential locations including kitchen, basements, office buildings, schools, garages and recreation rooms.

DESIGN FEATURES

Construction

- Heavy duty, white powder coated aluminum frame
- Low-profile edge-lit design
- Damp listed

Electrical

- 120V-277V Universal Voltage
- Dimmable 0-10V
- 50,000 hour projected life
- 4000K | 80 CRI
- 40W | 4200lms

Installation

- Mounting hooks provide additional option for suspended chain or cable mount, flange kit available

Lens

- High performance lens is engineered to provide optimal lumen output with a uniform, glare-free distribution

Accessories (sold separately)

- 22FK - Flange kit
- 22SMK - Surface mount kit
- 4112HC - Hanging cable kit

Certifications

- 5 year limited warranty
- UL Listed
- DLC Qualified

ORDERING GUIDE		Example: 4112WH-4K-EM
Model #	CCT	EM Option
4112WH	-4K	
4112WH	-4K : 4000K	-blank : no EM -EM : add emergency option