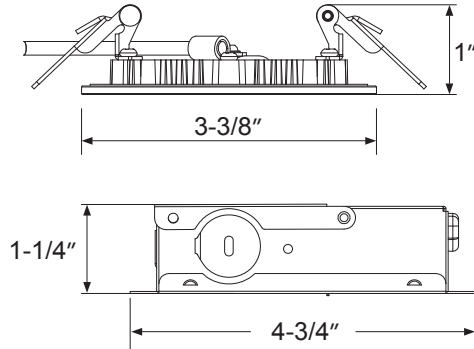


8842
120V

Catalog #:		Type
Project:		Date
Prepared by:		

3" LED Ultra-Thin Light



DESCRIPTION

A versatile LED down light solution with edge-lit technology and an off-board driver allow for an ultra slim profile and flexible mounting options. Installation is a snap with the plenum-rated driver box and linkable connector cable — there is no need for a j-box or recessed housing. The simple spring-loaded retention tabs securely hold each downlight snug to the ceiling.

DESIGN FEATURES

Construction

- Ultra slim profile
- Durable aluminum construction
- Frosted acrylic lens diffuses glare and maximizes output

Electrical

- 120V-60Hz
- Dimmable TRIAC, 10-100%
- 50,000 hour projected life
- 120° Beam Angle
- 7W | 350 lms | 90 CRI | 3000K

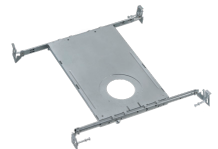
Installation

- Simple installation with hinged, off-board driver/ junction box, poke-in connectors, and linkable connector cable
- Spring-loaded retention tabs hold downlight snug to ceiling surface
- IC Rated for direct contact with batt type fiberglass insulation

Mounting Plate Accessory

8742PF (sold separately)

- New Construction Mounting Plate
- Includes four 12" bar hanger
- Durable aluminum construction
- Perfect for installing recessed lighting into new construction



Certifications

- Energy Star listed
- cETLus Listed for wet locations
- 5 year limited warranty

ORDERING GUIDE

Example: 8842WH-90-3K

Model #	Finish	CRI	CCT*
8842	WH	-90	-3K
8842	WH : White	-90 : 90 CRI	-3K : 3000K
Accessory	(sold separately)		
8842PF	plaster frame for new construction		

*4000K available through Special Order - contact factory

TEL: 800.937.6925 | Fax: 800.207.9509 | www.rplighting.com

Specifications and dimensions subject to change without notice.

9/4/2020 R1



RP LIGHTING • FANS

3" LED Ultra-Thin Light

8842

120V

New Construction Mounting Plate Assembly:

1. Align hanger bar brackets with mounting holes on the new construction mounting plate and secure in place with mounting screws (Fig. 1).
NOTE: Hanger bars can be installed on long or short side of the new construction mounting plate.
2. Insert both female and male parts of the hanger bars into the bracket from opposite ends (Fig. 2). Make sure that the male part is inserted within the female part and that the end tab is facing downwards.

