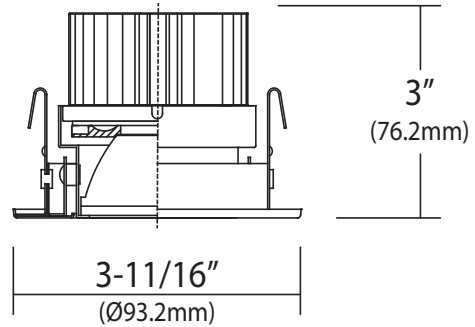


8822-1
120V

Catalog #:		Type
Project:		Date
Prepared by:		

3" Recessed Module Gimbal



3" Recessed Module Gimbal

DESCRIPTION

The 8822-1 - 3" Recessed Module Gimbal is a quick, easy, and affordable way to upgrade to an energy efficient LED down light solution. For use in new and existing ceilings. An ideal choice for retrofit and remodel in most residential or light-commercial applications.

DESIGN FEATURES

Construction

- Durable steel construction

Electrical

- 120V-60Hz
- Dimmable TRIAC, 10-100%
- 50,000 hour projected life
- 10W, 650lm
- 80CRI
- Available in 3000K

Installation

- Simple and easy installation to housing with 3 spring clips

Lens

- Beam changeable optic glass lens diffuses glare and maximizes output

Finish

- Available in brushed nickel, oil rubbed bronze or white

Compatible Housing

- **8317H** - 3" LED IC Rated Frame-In
- **8317HR** - 3" LED IC Rated Remodel

Certifications

- cETLus for damp location
- 5 year limited warranty

ORDERING

Example: 8822-1-OB-3K

Model #	Finish	CCT
8822-1		-3K
8822-1	-BN : Brushed Nickel -OB : Oil Rubbed Bronze -WH : White	-3K : 3000K



TEL: 800.937.6925 | Fax: 800.207.9509 | www.rplighting.com

Specifications and dimensions subject to change without notice.

