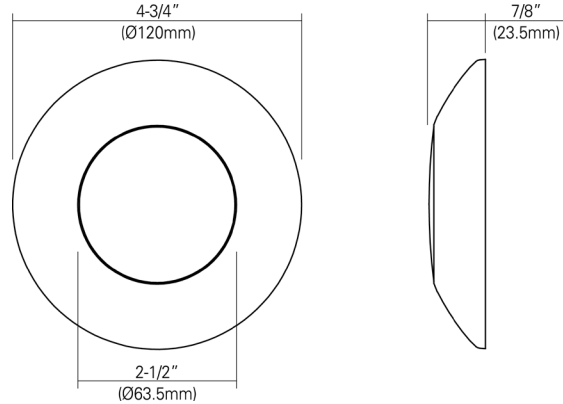


8600

120V/277V

Catalog #:		Type
Project:		Date
Prepared by:		

3" LED Low-Profile Disk Light



3" LED Low-Profile Disk Light

DESCRIPTION

This is a dimmable LED surface mount or recessed module disk light with integrated driver on PC board. Designed for use in most 3-0 (3") J-Box. Flexible for use in both retrofit and new construction applications this is a ideal choice for most any residential or light-commercial application.

DESIGN FEATURES

Construction

- Spun aluminum housing provides ample heatsinking

Electrical

- 120V/77V
- 90CRI
- Available in 2700K, 3000K or 4000K
- 7W, 540lms, 77lm/W
- Beam Angle 100°
- Triac dimmable down to 10%. Driver is compatible with 120V electronic low/line-voltage TRIAC dimmers
- 120V LED module with integrated IC chip embedded on the PC board
- Max fixture load is 30 fixtures per 600W dimmer
- Suitable for use with continuous room side temperature up to 40°C (104° F)

Installation

- Mounting bracket fits most 3/0 (3") j-box applications
- Dimensions: 4-3/4" x 7/8" x 2-1/2"

Lens

- Frosted polycarbonate lens protects LEDs and provides a uniform distribution of light

Finish

- Available in white (WH)

Certifications

- cCSAus certified for use in wet locations
- State of California Title 24
- 5 years limited warranty

MOQ

- Minimum Order Quantity: 300

ORDERING		Example: 8600-90-27
Model	CRI	CCT
	-90	
8600	-90 : 90CRI	-27K : 2700K -3K : 3000K -4K : 4000K



TEL: 800.937.6925 | Fax: 800.207.9509 | www.rplighting.com

Specifications and dimensions subject to change without notice.



SPECIAL ORDER