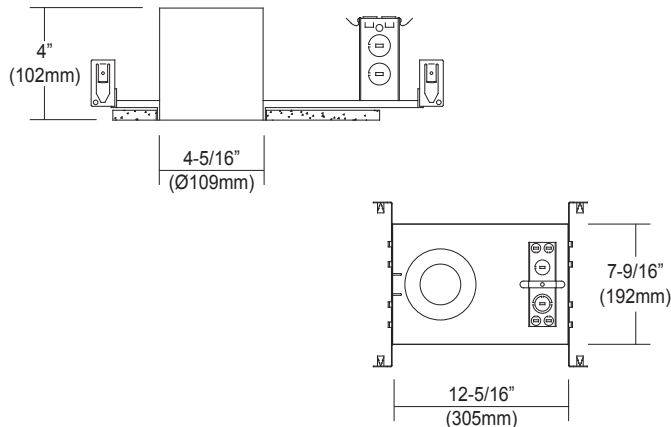
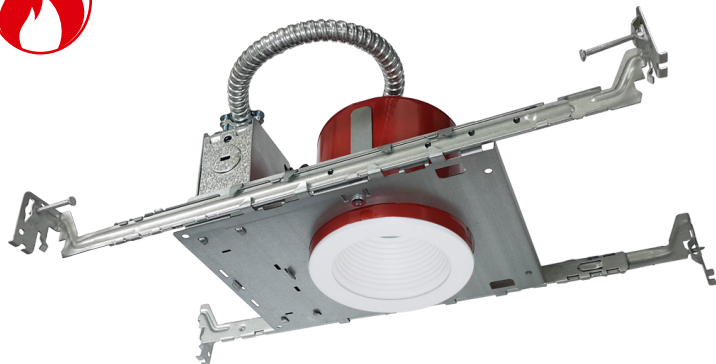


8216FR-JB

120V

Catalog #:		Type
Project:		Date
Prepared by:		

4" LED 2-Hour Fire Rated Airtight New Construction



DESCRIPTION

An ideal solution for efficiency, safety, and flexible design aesthetics. This new construction IC airtight housing is a 2-hour fire rated and accommodates a variety of LED trims.

DESIGN FEATURES

Housing

- 16 gauge fire resistant galvanized steel
- Suitable for use in new construction applications
- IC Rated for direct contact with insulation
- 4" height allows use in 2" x 6" joist construction
- Adjusts to accommodate up to 1" ceiling thickness
- cCSAus listed for damp location and feed through wiring
- 2-hours fire rated

Electrical

- 120V Available
- 277V Available by special order

Junction Box

- J-Box is listed for through-branch circuit wiring (4in - 4out) and seven 1/2" knockouts
- J-box act as housing and barrier for fire flammability.

Architectural Frame

- Bar hangers are designed to fit T-bar spine without additional clamps for use in drop ceilings
- Pre-installed captive nails on bar hangers
- Pre-installed bar hangers allow the housing to be positioned at any point within 24" joist span

Dimensions

- 12-5/16 x 7-9/16" x 4"

Available LED Modules/Trim Finishes

- 8763WH, OB, BK, BN, CL,
- 8769WH, OB, BK, BA
- 8771WH, OB, BN
- 8770CL

Certifications

- LED Engine/ Trim assembly: CSAus listed
- Housing : UL 1598 downlight
- 2hr fire rated per UL514A
- State of California Title 24 Compliant
- 5 year limited warranty

Emergency Battery Option

- Includes option for emergency battery backup




8216FR-JB

120V

Specification & Ordering


HOUSING

Example: 8216FR-JB-EM

Housing #	EM Option
	8216FR-JB
	8216FR-JB blank : no EM option added -EM : adds EM option


ORDERING GUIDE

Example: 8763WH-90-3K

Model #	Finish	CRI	CCT
	8763	-90	
	8763 4" Recessed LED Module Reflector 90 CRI 120V O.D. 5"	BN : Brushed Nickel BK : Black OB : Oil Rubbed Bronze CL : Clear WH : White	-90 : 90CRI, 10W, 600lms

ORDERING GUIDE


Example: 8769WH-90-3K

Model #	Finish	CRI	CCT
	8769		-3K
	8769 4" Recessed LED Module Baffle 120V, O.D. 5"	BA : Brushed Aluminum BK : Black ¹ OB : Oil Rubbed Bronze ¹ WH : White	-80 : 80 CRI, 889 lms -90 : 90 CRI, 710 lms

1 - Only available in -80 CRI

ORDERING GUIDE

Example: 8770CL-90-3K

Module #	Finish	CRI	CCT
	8770	CL	-3K
	8770 4" Recessed LED Module Clear/white trim ring 120V, O.D. 5"	CL : Clear	-80 : 81CRI, 889lms -90 : 90CRI, 710lms

ORDERING GUIDE

Example: 8771WH-90-3K

Model #	Finish	CRI	CCT
	8771		
	8771 4" Recessed LED Gimbal Module 120V, O.D. 5"	BN : Brushed Nickel ¹ OB : Oil Rubbed Bronze ¹ WH : White	-80 : 80 CRI, 895 lms -90 : 90 CRI, 717 lms

1 - Only available in -90-3K

TEL: 800.937.6925 | Fax: 800.207.9509 | www.rplighting.com

Specifications and dimensions subject to change without notice.

8/31/2020 R1