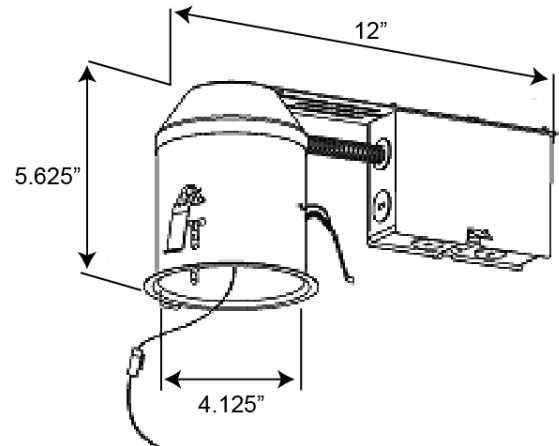


# 8215HRA Series

120V-60Hz

Catalog #:		Type
Project:		Date
Prepared by:		

## 4" LED IC Airtight Remodel



### DESCRIPTION

An ideal solution for housing that will be in direct contact with insulation. The 8215HRA balances power, efficiency and cost to bring you the options needed to complete a variety of residential or commercial projects with a reliable and modern down light solution.

### DESIGN FEATURES

#### Electrical

- Dimmable compatible with conventional dimming systems
- Trims include E-26 socket adapter for retro fit use

#### Housing

- Sturdy steel construction
- Suitable for use in new construction applications
- IC Rated for direct contact with batt type fiberglass insulation
- Thermally protected against improper lamping
- 5-5/8" height allows use in 2" x 6" joist construction
- Adjusts to accommodate up to 1" ceiling thickness

#### Junction Box

- J-Box is listed for through-branch circuit wiring (4in - 4out) and seven 1/2" knockouts
- 3-port quick connectors pre-installed in all J-boxes

#### Dimensions

- Size: H 5-5/8" x L 12" x W 4-15/16"
- Aperture: 4-1/8"

#### Certifications

- cCSAus listed for damp location and feed through wiring
- Meets Washington State energy code for restricted airflow requirements
- 5 year limited warranty



TEL: 800.937.6925 | Fax: 800.207.9509 | [www.rplighting.com](http://www.rplighting.com)

Specifications and dimensions subject to change without notice.

8/31/2020 R1



LIGHTING • FANS


# 8215HRA Series

120V-60Hz

## Specification & Ordering

### HOUSING

Example: 8215HRA-EM

Housing #	Emergency Backup
 8215HRA	
8215HRA	<b>-EM</b> : EM adds Emergency Backup


### ORDERING GUIDE

Example: 8763WH-90-3K

Model #	Finish	CRI	CCT
 <b>8763</b>		<b>-90</b>	
<b>8763</b> 4" Recessed LED Module Reflector 90 CRI   120V O.D. 5"	<b>BN</b> : Brushed Nickel <b>BK</b> : Black <b>OB</b> : Oil Rubbed Bronze <b>CL</b> : Clear <b>WH</b> : White	<b>-90</b> : 90CRI, 10W, 600lms	<b>-3K</b> : 3000K <b>-4K</b> : 4000K

### ORDERING GUIDE


Example: 8769WH-90-3K

Model #	Finish	CRI	CCT
 <b>8769</b>			<b>-3K</b>
<b>8769</b> 4" Recessed LED Module Baffle 120V, O.D. 5"	<b>BA</b> : Brushed Aluminum <b>BK</b> : Black <sup>1</sup> <b>OB</b> : Oil Rubbed Bronze <sup>1</sup> <b>WH</b> : White	<b>-80</b> : 80CRI, 10W, 889lms <b>-90</b> : 92CRI, 10W, 710lms	<b>-3K</b> : 3000K

1 - Only available in -80 CRI

### ORDERING GUIDE

Example: 8770CL-90-3K

Model #	Finish	CRI	CCT
 <b>8770</b>	<b>CL</b>		<b>-3K</b>
<b>8770</b> 4" Recessed LED Module Clear/white trim ring 120V, O.D. 5"	<b>CL</b> : Clear	<b>-80</b> : 81CRI, 10W, 889lms <b>-90</b> : 90CRI, 10W, 710lms	<b>-3K</b> : 3000K

# 8215HRA Series

120V-60Hz

## Specification & Ordering

### ORDERING GUIDE

Example: 8771WH-90-3K

Model #	Finish	CRI	CCT
 <p><b>8771</b> 4" Recessed LED Gimbal Module 120V, O.D. 5"</p>	<b>BN</b> : Brushed Nickel <sup>1</sup> <b>OB</b> : Oil Rubbed Bronze <sup>1</sup> <b>WH</b> : White	<b>-80</b> : 80 CRI, 895 lms <b>-90</b> : 90 CRI, 717 lms	<b>-3K</b> : 3000K <b>-4K</b> : 4000K

1 - Only available in -90-3K

### ORDERING GUIDE

Example: 8722WH-90-3K

Model #	Finish	CRI	CCT
 <p><b>8722</b> 4" LED Module/ Retrofit Trim 120V, O.D. 5-1/6"</p>	<b>WH</b>	<b>-90</b>	<b>-3K</b>
	<b>WH</b> : White	<b>-90</b> : 90 CRI, 650 lms	<b>-3K</b> : 3000K

### ORDERING GUIDE

Example: 8773WH-90-3K

Model #	Finish	CRI	CCT
 <p><b>8773</b> LED Recessed Square Retrofit-Kit 120V, O.D. 5-1/8"</p>	<b>WH</b>	<b>-90</b>	
	<b>WH</b> : White	<b>-90</b> : 90 CRI, 700 lms	<b>-3K</b> : 3000K <b>-4K</b> : 4000K

\*Oil Rubbed Bronze (OB) and Brushed Nickel (BN) available by special order

4" LED IC Airtight Remodel