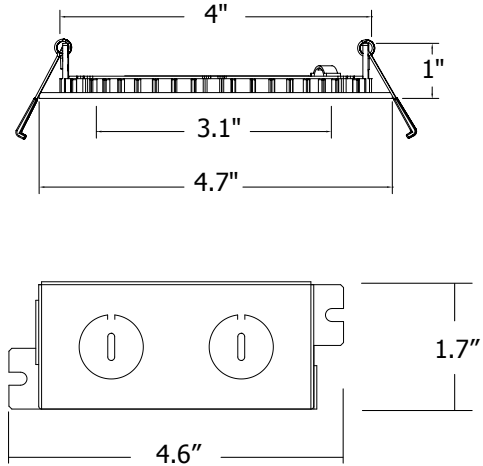
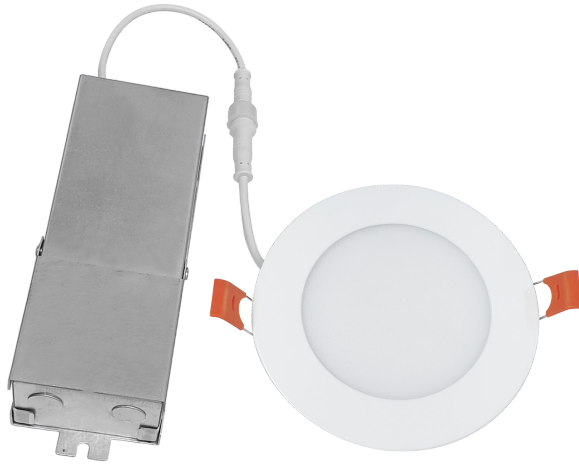


# 8742-2

120V

Catalog #:		Type
Project:		Date
Prepared by:		

## 4" LED Ultra-Thin Downlight



4" LED Ultra-Thin Downlight

### DESCRIPTION

A versatile LED down light solution with edge-lit technology and an off-board driver allow for an ultra slim profile and flexible mounting options. Installation is a snap with the plenum-rated driver box and linkable connector cable — there is no need for a j-box or recessed housing. The simple spring-loaded retention tabs securely hold each downlight snug to the ceiling.

### DESIGN FEATURES

#### Construction

- Ultra-thin profile
- Durable aluminum construction
- Frosted acrylic lens diffuses glare and maximizes output

#### Electrical

- 120V-60Hz
- Dimmable TRIAC, 10-100%
- 50,000 hour projected life
- 120° Beam Angle
- 12W, 670lms
- 90CRI
- Available in 3000 or 4000K

#### Installation

- Spring-loaded retention tabs hold downlight snug to ceiling surface, off-board driver/ junction box, poke-in connectors, and linkable connector cable
- IC Rated for direct contact with batt type fiberglass insulation

#### Finish

- Available in White

#### Accessory Mounting Plate Assembly

- PF-4

#### Certifications

- Energy Star listed
- cCSAus listed for wet location
- 5 year limited warranty



ORDERING		Example: 8742-2WH-3K
Model #	Finish	CCT
8742-2	WH	
8742-2	WH : White	-3K : 3000K -4K : 4000K
<b>Accessory</b>		
PF-4	: Mounting Plate	



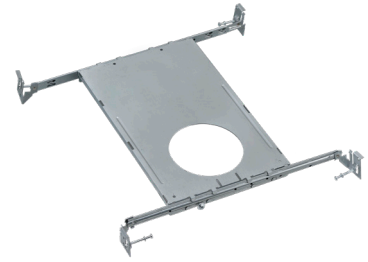
# 8742-2

120V

## Mounting Plate Assembly Information

### Accessory Mounting Plate Assembly

- **PF-4**
- Includes four 12" bar hanger to allow for easy adjustment and easy installation
- Durable aluminum construction
- Perfect for installing recessed lighting into new construction



### New Construction Mounting Plate Assembly:

1. Align hanger bar brackets with mounting holes on the new construction mounting plate and secure in place with mounting screws (Fig. 1).  
*NOTE:* Hanger bars can be installed on long or short side of the new construction mounting plate.
2. Insert both female and male parts of the hanger bars into the bracket from opposite ends (Fig. 2). Make sure that the male part is inserted within the female part and that the end tab is facing downwards.

