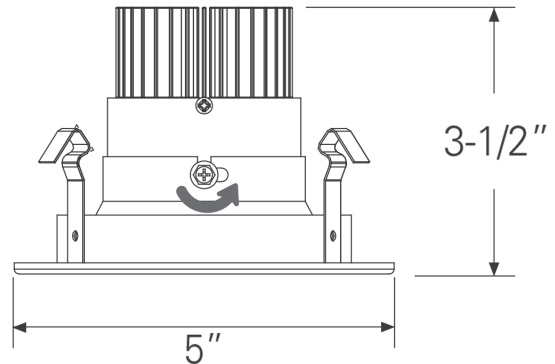


8769
120V

Catalog #:		Type
Project:		Date
Prepared by:		

4" Recessed LED Module



4" Recessed LED Module

DESCRIPTION

The 8769 is a 4" Recessed LED Module that is a quick, easy, and affordable way to upgrade to an energy efficient LED down light solution. Flexible for use in both retrofit and new construction applications, and suitable for use in damp locations, this is an ideal choice for most any residential or light-commercial environment.

DESIGN FEATURES

Construction

- Spun aluminum trim

Electrical

- 120V-60Hz
- Dimmable TRIAC, 10-100%
- 50,000 hour projected life
- 80CRI: 10W | 889Lm | 88.9Lm/W | Power Factor 0.99
- 90CRI: 10W | 710Lm | 71.0Lm/W | Power Factor 0.99
- Available in 3000K

Installation

- Simple and easy 4" recessed housing installation
- E26 adapter is standard

Available Housings

Airtight	IC Airtight	Fire-Rated
8201HA	8202HA	8216FR-JB
8201HRA	8215HA	
	8215HRA	

Certifications

- Energy Star
- cCSAus Certified for damp locations
- 5 year limited warranty

ORDERING GUIDE

Example: 8769WH-90-3K

Model #	Finish	CRI	CCT
8769			-3K
8769	BA : Brushed Aluminum BK : Black ¹ OB : Oil Rubbed Bronze ¹ WH : White	-80 : 80 CRI, 889 lms -90 : 90 CRI, 710 lms	-3K : 3000K

1 - Only available in -80 CRI