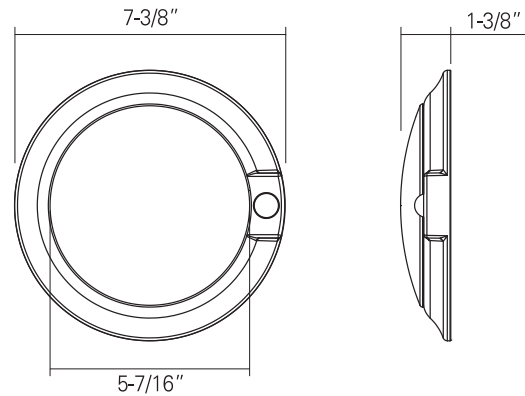


8556WH-S

120V

Catalog #:		Type
Project:		Date
Prepared by:		

6" LED Low-Profile Disk Light, PIR Motion Sensor



6" Disk Light, Motion Sensor

DESCRIPTION

The 8556WH-S-90-3K is a 6" LED Low-Profile Disk Light that automatically turns on when detecting movement and turns off after 30 seconds if no motion is detected. Designed for use in most 3" and 4" J-Box installation.

DESIGN FEATURES

Construction

- Rugged, high impact remote "PC" lens and white powder coat, diecast aluminum housing

Electrical

- Available in 120V
- Suitable for use in wet locations
- 50,000 hour projected life
- 15.3W, 1050lms (source), 902lm (delivered)
- 90 CRI | 3000K
- Beam angle 110°
- When motion is detected, it automatically turns lights ON and turns Off after 30 seconds when the room is vacated (default setting)

Installation

- Mounting bracket fits most 3/O (3") and 4/O (4") J-Box applications
- Maximum height for sensor detection is approximately 7.5'

Dimensions

- 7-3/8" x 1-3/8"

Lens

- Precision Fresnel Lens minimizes signal interference
- Lens protects LEDs and provides uniform distribution of light

Finish

- Available in White

Certifications

- cCSAus for use in wet locations
- Energy Star listed
- JA8 and State of California Title 24 Compliant
- 5 year limited warranty
- Suitable for use in closets when installed in accordance to NEC Section 410.16 (C)(1)

ORDERING

Example: 8556WH-S-90-3K

Model	Finish	Sensor	CRI	CCT
8556	WH	-S	-90	-3K
8556	WH: White	S: Sensor	-90: CRI	-3K

TEL: 800.937.6925 | Fax: 800.207.9509 | www.rplighting.com

Specifications and dimensions subject to change without notice.

