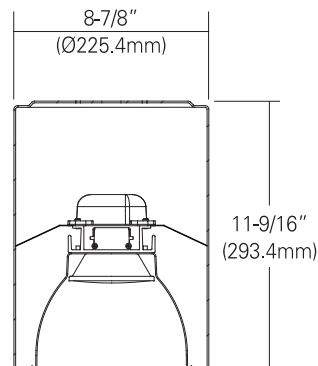


# 4436

120V-277V Universal Voltage

Catalog #:		Type
Project:		Date
Prepared by:		

## 8" LED Ceiling Mount Cylinders with Wide Beam Reflector



8" LED Surface Cylinders

### DESCRIPTION

This sleek LED 8" aperture cylinder light is an energy efficient LED light that comes complete with an integrated LED light engine.

### DESIGN FEATURES

#### Construction

- Durable aluminum extrusion heat sink integrated with COB (chip on board)

#### Electrical

- 120V-277V Universal Voltage
- Triac and 0-10V dimmable
- Driver feature power factor >.90, THD <20% and has integral thermal protection to sense over temperature or internal failure
- Driver mounts externally to the module, allowing future replacement, if needed
- 50,000 hour projected life
- 90CRI Standard
- Available in 2700K, 3000K, 4000K and 5000K
- 15W, 1125lm | 20W, 1500lm | 30W, 2200lm
- 65° Beam Angle

#### Finishes

- Reflector finish available in haze (HC) or white (WH)
- Housing Finish available in white (WH), black (BK), bronze (OB), silver (SI)

#### Certifications

- cETL listed
- Energy Star listed
- State of California Title 24
- 5 years limited warranty
- Damp location

#### MOQ

- Minimum Order Quantity: 150



TEL: 800.937.6925 | Fax: 800.207.9509 | [www.rplighting.com](http://www.rplighting.com)

Specifications and dimensions subject to change without notice.



LIGHTING · FANS

SPECIAL ORDER

# 4436

120V-277V Universal Voltage

## Specification & Ordering

### ORDERING

Example: 4436-15-27-90-UZTD-WH-WH

Model #	Wattage	CCT	CRI	Housing Finish	Housing Finish	Reflector Finish
4436 Ceiling Mount	-15 : 15W, 1125lm -20 : 20W, 1500lm -30 : 30W, 2200lm	-27K : 2700K -3K : 3000K -4K : 4000K -5K : 5000K	-90	-UZTD : 120~277V, 0~10v Dimming	-WH : White -BK : Black -OB : Bronze -SI : Silver	-WH : White -HZ : Haze Clear

LED Ceiling Mount Fixture

SPECIAL ORDER

