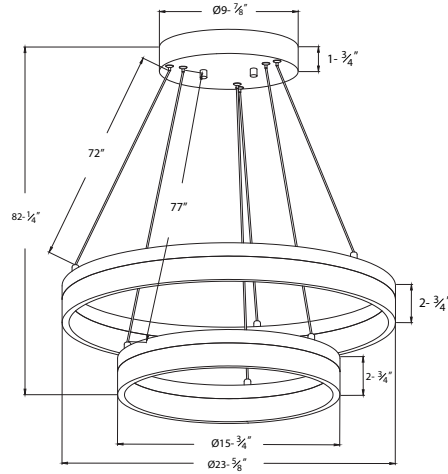


4602
120V

Catalog #:		Type
Project:		Date
Prepared by:		

Chandelier Double Edge-Lit LED Round Ribbon Light



DESCRIPTION

For us in many different applications, the 4602 Series Chandelier Double Edge-Lit LED Round Ribbon Light adds sophistication and modern style with its power-over-cable technology. Adjustable wire lengths add to the ease of installation.

DESIGN FEATURES

Construction

- Durable metal construction
- Ceiling mount
- Easy to install

Electrical

- 120V-60Hz - power-over-cable
- Triac dimmable
- Beam Angle: 120°
- 50,000 hour projected life
- 60W, 5300lm (sourced), 4200lm (delivered)
- Available in 3000K
- CRI 80
- Operating temperature -4°F (-20°C) - 104°F (40°C)

Lens

- Acrylic lens protects and diffuses the integrated LEDs to allow optimum lumen output.

Finish

- Available in brushed nickel (BN)

Dimension

- D 23-5/8" x H 82-1/4"
- Adjustable 6' wire length

Certifications

- cETLus Certified for Damp location
- Energy Star listed
- 5 year limited warranty

ORDERING

Example: 4602BN

Model	Finish
4602	
4602	BN : Brushed Nickel

