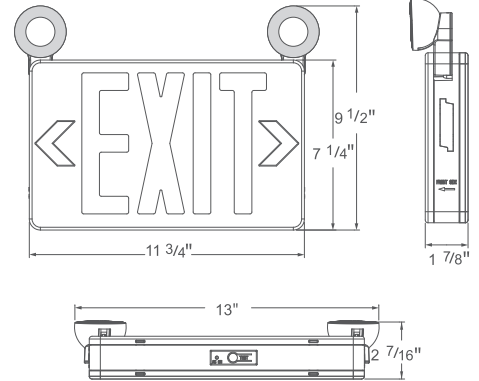


RXEL40 Series

120V/277V

Catalog #:		Type
Project:		Date
Prepared by:		

High Output Self Diagnostic Exit/Emergency Combo



LED Emergency Exit

DESCRIPTION

The RXEL40 Series LED Emergency Exit Sign features two adjustable heads, single or double face high impact thermoplastic faceplates with snap-in & out chevrons. This exit sign uses LED light bulbs and has a backup battery. Ideal for applications requiring attractive, quick-installation exit signs and low energy consumption.

DESIGN FEATURES

Construction

- Includes single or double face high impact thermoplastic faceplate. Universal snap-in & out chevrons meets all state and local UL924 codes. Also has one blank face
- Thermoplastic housing w/ flame retardant housing
- Compact, low profile design

Electrical

- 120/277V AC input, 60Hz
- Operating temperature 50° F to 104°F
- Battery: Ni-cd Battery, 2pcs of 3.6V 900mAh
- Light source: SMD 2x2W LED, 6000K, 250lm
- Manual test switch and LED indicator
- 90 minutes of illumination in case of power failure
- Estimated 25 year LED lamp life

Self-Diagnostic Features

- Monitors battery disconnection, charger failure, lamp failure and transformer fault every 5 seconds without discharging battery or illuminating lamps
- One minute self-test monthly
- 30 minute self-test semi-annually
- 90 minute self-test annually
- Uses dual color LED lamp to indicate lamp, battery and charger status
- Pretested by factory - field adjustment unnecessary
- 6V fire alarm function is integrated with Self-diagnostic function

Installation

- Universal mounting (wall, side and ceiling)
- Easy, one-person installation

Dimensions (W x D X H)

- 11-3/4" x 2-7/16" x 9-1/2"

Finish

- RW= Red with white housing
- GW= Green with white housing

Certifications

- UL for damp location
- 5 year limited warranty



TEL: 800.937.6925 | Fax: 800.207.9509 | www.rplighting.com

Specifications and dimensions subject to change without notice.

RXEL39 Series

120V/277V

Specification & Ordering

ORDERING

Example: RXEL40-RW

Model #	Finish
RXEL40	
RXEL40 High Output Self Diagnostic Exit/ Emergency Combo	RW : Red with white housing GW : Green with white housing

RXEL40__-SD

