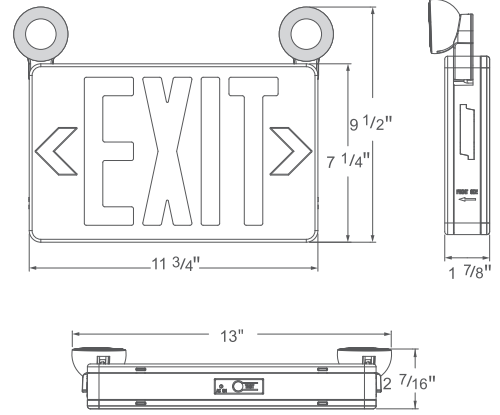


RXEL38 Series

120V/277V

Catalog #:		Type
Project:		Date
Prepared by:		

High Output Exit/Emergency Combo



LED Emergency Exit

DESCRIPTION

The RXEL38 Series LED Emergency Exit Sign features two adjustable heads, single or double face high impact thermoplastic faceplates with snap-in & out chevrons. This exit sign uses LED light bulbs and has a backup battery. Ideal for applications requiring attractive, quick-installation exit signs and low energy consumption.

DESIGN FEATURES

Construction

- Includes single or double face high impact thermoplastic faceplate. Universal snap-in & out chevrons meets all state and local UL924 codes. Also has one blank face
- Thermoplastic housing w/ flame retardant housing
- Compact, low profile design

Electrical

- 120/277V AC input, 60Hz
- Operating temperature 50° F to 104°F
- Battery: Ni-cd Battery, 2pcs of 3.6V 900mAh for high lumen output
- 3.6V 2W remote capability and 3.6V 4W remote capabilities are available
- Light source: SMD 2x2W LED, 6000K, 250lms
- Manual test switch and LED indicator
- 90 minutes of illumination in case of power failure
- Estimated 25 year LED lamp life.

Installation

- Universal mounting (wall, side and ceiling)
- Easy, one-person installation

Dimensions (W x D X H)

- 11-3/4" x 2-7/16" x 9-1/2"

Finish

- RW= Red with white housing
- GW= Green with white housing

Certifications

- UL for damp location
- 5 year limited warranty

ORDERING

Example: RXEL38-RW

Model #	Finish	
RXEL38		
RXEL38	RW	: Red with white housing
	GW	: Green with white housing



TEL: 800.937.6925 | Fax: 800.207.9509 | www.rplighting.com

Specifications and dimensions subject to change without notice.

