

4404

120V

Catalog #:		Type
Project:		Date
Prepared by:		

Residential Wall Sconce



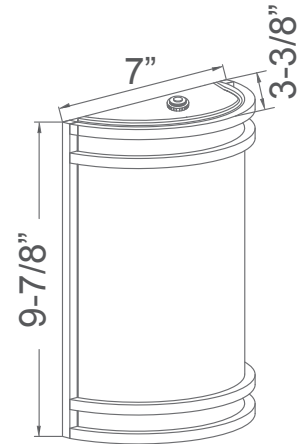
Brushed Aluminum (BA)



Bronze (OB)



Black (BK)



DESCRIPTION

10" LED Series is a sconce fixture with white acrylic lens for soft, glare free illumination. The molded sconce lens allows the light designer to produce a cost effective, yet elegantly styled look. The ideal choice for outdoor applications for building-mounted doorway and pathway illumination. The integrated LEDs mean that you never need to change a bulb.

DESIGN FEATURES

Construction

- Durable steel construction
- 7" W x 9-7/8" H x 3-3/8" D

Electrical

- 120V
- 10-100% Triac Dimming
- 50,000 hour projected life
- Available in 3000K
- 15W | 800lms | 53.33lms/W
- 80 CRI
- Operating temperature: -4°F (-20°C) to 104°F (40°C)
- Integrated photocell

Lens

- Acrylic lens protects LEDs and diffuses glare while allowing for optimum lumen output

Finish

- Black, Oil Rubbed Bronze or Brushed Aluminum

Certifications

- cETLus listed for wet location
- 5 year limited warranty

ORDERING

Example: 4404BA

Model	Finish
4404	
4404	BK : Black OB : Oil Rubbed Bronze BA : Brushed Aluminum

TEL: 800.937.6925 | Fax: 800.207.9509 | www.rplighting.com

Specifications and dimensions subject to change without notice.

