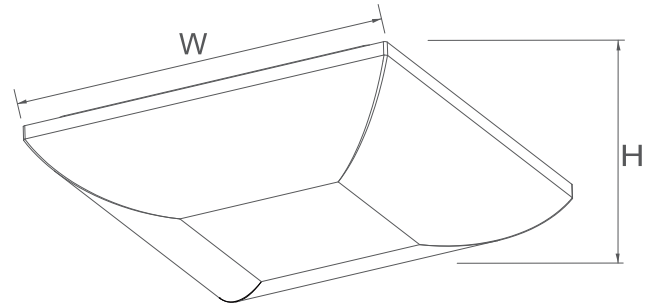


4320, 4322

120V

Catalog #:		Type
Project:		Date
Prepared by:		

LED Ceiling Mount



LED Ceiling Mount

DESCRIPTION

This sleek LED ceiling mount fixture is an energy efficient LED light that comes complete with an integrated LED light engine - no additional light bulbs needed. This fixture is ceiling mounted to provide light anywhere you need it.

DESIGN FEATURES

Construction

- Durable steel construction
- Built in high efficiency warm white LEDs
- Operation temperature -31°F (-35°C)
- 113°F (45°C)

Electrical

- 120V AC-Driver on Board (DOB)
- 10-100% Triac dimmable
- 50,000 hour projected life
- Available in 3000K
- CRI 80
- Beam Angle: 120°
- 4320: 15W, 1363lm (sourced), 1040lm (delivered)
- 4322: 23W, 1898lm (sourced), 1450lm (delivered)

Lens

- Acrylic diffuser

Dimensions (W x H)

- 4320: 11" x 2-7/8"
- 4322: 14-1/2" x 3-1/8"

Finish

- Available in white (WH)

Certifications

- Energy Star listed
- cCSAus listed for damp location
- 5 year limited warranty

ORDERING		Example: 4320-WH	
Model		Finish	
4320	:	4320	WH
4322	:	4322	:
			White



TEL: 800.937.6925 | Fax: 800.207.9509 | www.rplighting.com

Specifications and dimensions subject to change without notice.