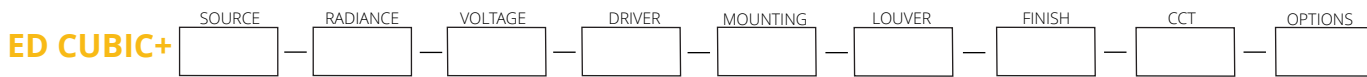


## FEATURES:

- ✓ Architectural luminaire with direct lighting distribution.
- ✓ Light source: COB LED.
- ✓ High efficiency integral reflector combined with opal lens insert provide excellent lighting distribution.
- ✓ Square internal louver is available in a wide range of finishes.
- ✓ Aluminum body of the luminaire comes with built-in-driver.
- ✓ Suitable for surface mounted and suspended installations.
- ✓ LED Spot is rated for 60,000hrs. L70 with 90CRI.
- ✓ Has a proven record in office, commercial and retail installations.
- ✓ Custom modifications are available.
- ✓ ED luminaires are certified to CSA and UL Standards.

reinventlight

## SPECIFICATION:



Enter the Product Code into the boxes above.

### SOURCE

- 15W LED
- 20W LED
- 25W LED

### RADIANCE

- DD - Direct (100%Down)  
\*Light Distribution.

### VOLTAGE

- 120V
  - 277V
  - 347V\*
- \* External step down transformer per luminaire.

### DRIVER

- ST - Standard
  - DL - 0-10V Dimming
  - DT - TRIAC
  - \*
- \* Please specify dimming method.

### MOUNTING

- SF - Surface Mount
  - S4 - Suspension 4Feet
  - S6 - Suspension 6Feet
  - S  Feet\*
  - R2 - Rod 2Feet
  - R3 - Rod 3Feet
  - R  Feet\*
- \* Please specify required Length.

### LOUVER

- WH - White
- BK - Black
- SL - Silver

### FINISH

- WH - White
  - BK - Black
  - GR - Grey\*
- \*Supply with White Cord & Canopy

### CCT

- 30K - 3000Kelvin
  - 35K - 3500Kelvin
  - 40K - 4000Kelvin
- \*Other options are available.

### OPTIONS

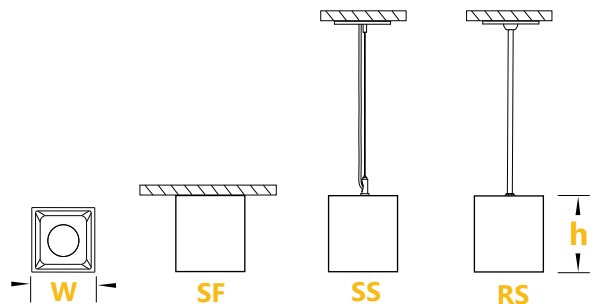
- No Options\*
  - CB - Casambi BT
- \*Leave Empty.

## DIMENSIONS:

Width	Height
4.5"	6.0"

## LUMEN OUTPUT:

Watts	30K	35K	40K
15W	1400 lm	1430 lm	1460 lm
20W	1910 lm	1950 lm	1990 lm
25W	2350 lm	2400 lm	2450 lm



Project:

Type: