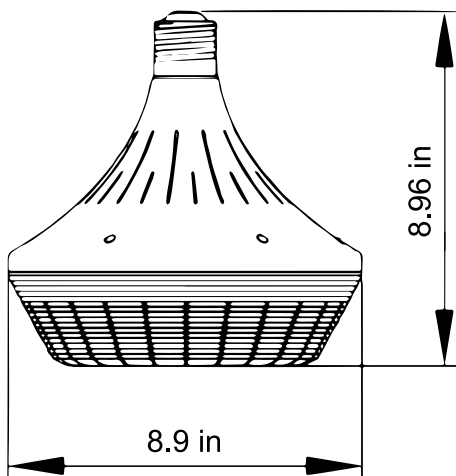


Features

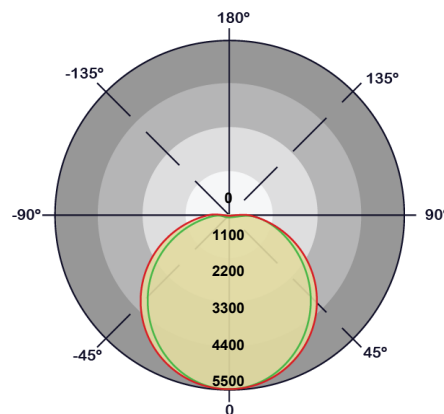
- Direct line voltage 100-277V- bypass ballast
- Integral 4KV surge protection
- Double cooling-cold forging kit + Sunon fan
- Unique structure design to minimize dust intrusion
- Directional optical design maximizes the best lighting
- Performance temperature control against over-heating
- Plug & play safety cable included
- UL listed for damp locations
- Backed up by a 5-year warranty



Dimensions



Light Intensity Distribution Diagram



Series	Watts	Voltage	CCT	Beam	Mount	Option	Controls
HBR	100W 120W 150W	Y=120-277V	40K = 4000K 50K = 5000K	J=120°	14 = Direct Mount	EB = Emergency Batter Back up	Blank = Standard OO = On/Off Motion Sensor

Enter configuration:

/ Example: HBR-E39-150W-Y-50K

Model	Power	Lumens	Efficacy	Input Voltage	Frequency	CRI	Beam Angle	Operating Temp.	Base
HBR-E39-100W**	100W	14,202 LM	137 Lm/w	120-277VAC	50-60Hz	>80	120°	-40°F~+113°F	EX39
HBR-E39-120W**	120W	17,240 LM	137 Lm/w	120-277VAC	50-60Hz	>80	120°	-40°F~+113°F	EX39
HBR-E39-150W	150W	19,803 LM	136 Lm/w	120-277VAC	50-60Hz	>80	120°	-40°F~+113°F	EX39

** Special order

DLC Testing Data (installed in high bay fixture)

PART #	CCT	W	LM/W	Total LM	V
HBR-E39-100W	3000K	98.21	105.27	10,339	120V
	4000K	98.21	110.47	10,849	
	5000K	98.21	115.66	11,359	
HBR-E39-120W	3000K	116.7	107.53	12,549	120V
	4000K	116.7	112.84	13,169	
	5000K	116.7	118.16	13,789	
HBR-E39-150W	3000K	137.25	108.08	14,834	120V
	4000K	137.25	113.38	15,562	
	5000K	137.25	118.69	16,290	



Packing

Model	Case Qty	Case G.W.	Case N.W.	Inner Box Size	Outer Carton Size
100W-150W	4pcs	10.84kgs 23.9lbs	6.64kgs 14.64lbs	10.83*10.83*11.1" (275*275*282mm)	22.25*22.25*12" (565*565*305mm)

Notes

Disconnect power from the luminaries and follow proper lockout/tag-out procedures before installation or maintenance.

Contact a qualified electrician for installation.

This device requires 120V-277V input voltage.

This device requires all ballasts, capacitors, and starters to be by-passed/removed.

Suitable for use in dry or damp locations. DO NOT use where directly exposed to liquid, vapor, rain. This device is not intended for use with emergency exits.

This device is not intended for use with dimmers or remote controls.

This device is suitable for fully enclosed luminaries with minimum lamp compartment dimensions of: 11.81"(L) x 11.81" (W) x 15.75"(H).