



RW3-LED

Vandal Resistant High Abuse **LED** Surface Mount Linear

PRODUCT SPECIFICATION

The RW3 series is designed for general purpose lighting in high abuse environments. Also for use in stairwells, locker rooms, and parking garages.

Mounting

Surface mounts to ceiling. Knockouts on both ends permit conduit wiring and / or row mounting.

Housing

18 gauge cold rolled steel die formed to shape. 304 Stainless steel available.

Finish

Polyester powder-coated after phosphate pretreatment for superior adhesion and corrosion resistance. Brushed stainless steel available.

Lens

.125 in. thick extruded polycarbonate. Opal lens completely hides diode image while maintaining excellent transmission.

Hardware

Stainless steel, tamper-proof fasteners.

Driver

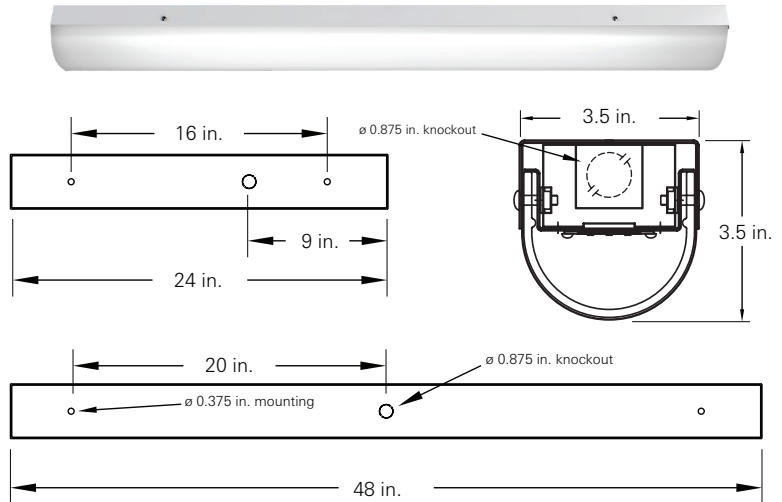
0-10Vdc 1% dimming, >0.9 PF, <20% THD
Factory programmable, Operating temp -40°C Min. to 50°C Max

Wiring

Driver provided with pre-wired 3-wire self-aligning input power quick disconnect and 2-wire quick disconnect to LED module.

Certifications

UL Listed damp or wet location. Covered ceilings only. IP43 rated.



RW3	[]	-	[]	-	[]	/	[]	-	[]	-	[]	-	VAR	DM	-	[]	-	[]	-	[]
	one		two		three		four		five		six		seven	eight		nine		ten		eleven

one Luminaire size

- 2 2 ft. fixture
- 4 4 ft. fixture

two LED Source

Refer to the LED Source Table on Page 2 for available options.

three Color Temperature

- 30 3000K
- 35 3500K
- 40 4000K
- 50 5000K

four CRI

- 80 80 CRI
- 90 90 CRI

five Material

- C Cold rolled steel
- S 304 Stainless steel
- A Aluminum

six Finish

- R Brushed (Stainless steel only)
- W White

seven Voltage

- VAR Variable, 120-277 V, 50/60Hz

eight Driver

- DM 0-10Vdc Dimming, standard

nine Hardware

- AP Stainless steel allen head with pin
- TP Stainless steel torx head with pin
- PH Phillips, non-security

ten UL Listing

- D Damp Location
- W Wet location

eleven Options

- CU Canadian UL Listing
- EM*¹ Emergency battery backup
- FH Fuse and holder
- IMS Integral Occ Sensor
- RMxx*² Row mounting
Includes Chase Nipple(s), PVC Gasket(s), and Sealing Locknut(s)

*¹ 2ft. fixture, 7W max

*² xx = Length of row in feet

Modifications are available to meet custom requirements. Specifications and dimensions are subject to change without notice.

CRI	LED Life
>80	>100,000

LED Source (Box 2)	3000K		3500K		4000K		5000K		Input Watts
	Delivered Lumens	L/W	Delivered Lumens	L/W	Delivered Lumens	L/W	Delivered Lumens	L/W	
RW32									
1W17	1682	98	1707	100	1757	103	1807	106	17.1
1W21	2070	99	2101	100	2163	103	2224	106	21.0
1W25	2429	98	2465	99	2538	102	2610	105	24.9
1W28	2771	97	2812	98	2895	101	2977	104	28.7
RW34									
1W20	1927	104	1956	105	2014	108	2071	111	18.6
1W26	2546	105	2584	107	2660	110	2736	113	24.2
1W36	3363	106	3413	107	3514	111	3614	114	31.8
1W43	4140	105	4202	106	4325	109	4449	112	39.6
1W51	4858	104	4931	105	5076	108	5221	112	46.8
1W58	5541	101	5624	103	5789	106	5955	109	54.8

Specified Output Option

LC Doane programmable drivers allows us to deliver a specific lumen output. If none of the options in the chart above fit your application, let us know the desired lumen output and we will do the rest. See the example for a 2x4 on how this will be specified:

Example Model:
 RW34-**XX**¹SO-40/80-CW-VARDM-APD-(**XX**²/LUMENS)

- LUMENS** = You provide the lumens.
- XX**¹ = We will determine the number of rows.
- XX**² = We will provide the wattage information.

Photometric Data @ 80 CRI with 122 lens

90 CRI multiplier	.83
-------------------	-----



Lifetime Warranty: We are proud to offer the L.C. Doane Assurance. L.C. Doane High Abuse lighting products are manufactured to withstand today's complex and demanding environments. The L.C. Doane Company will repair or replace any High Abuse or VR Architectural fixture when installed according to our instructions for the life of the original installation if the fixture should fail due to physical abuse.

