

# Cleanroom KL Series Red & White Downlights

Sealed 6" Aperture Recessed Red/White LED Downlight for Cleanroom and Containment Installations.

- **IP65 Rated**
- **Suitable for ISO 5-9 Cleanspaces**
- **Suitable for 209E Class 100-100,000 Cleanspaces**
- **ETL Listed for Wet Locations**
- **White & Red Separately controlled circuits**
- **0-10V 1% Dimming Standard For Each Color**
- **B.A.A. Compliant & Made in the USA by a Family Owned US Corporation**



DISCLAIMER: Although KURTZON has prepared the information contained in this document with all due care, KURTZON does not warrant or represent that the information is free from errors or omission. Whilst the information is considered to be true and correct at the date of publication, changes in circumstances after the time of publication may impact on the accuracy of the information. The information may change without notice and KURTZON is not in any way liable for the accuracy of any information printed and stored or in any way interpreted or used.

## ORDERING GUIDE

Series	Material	Size	LED Type	Voltage	Baffle	Door (Trim)	Optics	Options
KL-SBD	4	8		UNV				

Series	Material	Size	Light Source	Voltage	Baffle	Door (Trim) Finish	Optics	Options
			LED Type					
KL-SBD	4 Non-Magnetic	8 8" Housing	DLMR-660 Red Only	UNV: 120V-277V	WB: White Grooved Baffle BB: Black Grooved Baffle NB: Nickel Baffle SR: Specular Reflector	WT: White Painted Trim ST: Polished Stainless Trim	LEX: 0.125" Clear Flat Polycarbonate Lens	FC Fuse & Holder (One Supplied Per Circuit)
			DLMR-660-DLM15-840 2 Circuit Red & White				FPL: 0.125" Frosted Flat Polycarbonate Lens	EM7 Mount 7W Battery Pack (Specify Input Voltage)
							FAL: 0.125" Frosted Flat Acrylic Lens	REDPxL* Amber Programmed to User Specified Lumen Value
							GH85: 0.125" Flat Diffused Polycarbonate With Glare Suppression Distribution	WHITPxL* White Programmed to User Specified Lumen Value
								10KV 10KV Parallel Surge Protection (One Supplied Per Circuit)
								LDE1 Lutron Hi-Lume 1% Ecosystem LED Driver SOFTB
NOTE: LEX option is standard and will be provided when no other option is selected								
Note*: Specify Value in Ordering Notes Below								

Ordering Notes, If Applicable

# Cleanroom KL Series Red & White Downlights

Sealed 6" Aperture Recessed Red/White LED Downlight for Cleanroom and Containment Installations.

## SPECIFICATIONS

**HOUSING:** Stainless steel body and spun aluminum housing and plaster frame.

**DOOR FRAME:** Aluminum or stainless steel formed with continuous lens hold-down system and screwless entry. Cleanroom style construction with a smooth cleanable surface with no crevices.

**GASKETS:** One piece gasket located at interface of door to housing silicone seals the door to the lens.

**REFLECTOR:** Supplied with a wide variety of baffles and reflectors. See options for availability.

**OPTICS:** Clear non-prismatic nominal 1/8" thick polycarbonate lens is standard and will be provided when no options are selected. Other options include frosted or glare suppression film overlays. All lenses are mechanically secured and silicone sealed to door frame.

**ELECTRICAL:** The LED is a red and white LED module with two channel inputs. Red LEDs are 660nm narrow spectrum high quality chips. White LEDs are 80+ CRI 4000K CCT and deliver about 1500 lumens. Each color is provided with its own driver to control the light when ordered as such and can be switched independently of each other. Standard drivers are class 2 0-10v dimming drivers that dim to 1%. Other control options are available. Drivers are also factory programmable, to specify a lower lumen output of red use the REDPxL option and replace the "x" with the desired lumen output. To specify a lower light output of white use the WHTPxL option and replace the "x" with the desired lumen output.

**INSTALLATION:** Four adjustable L-brackets allow for seismic support and secure attachment to metal T-Bars, joists or structural metal framing. Sealed 1/2 inch trade size knockouts for wiring. Suitable for 1, 1.5 and 2 inch T-bar widths as well as drywall or plaster ceilings. Suitable for NON-IC installation.

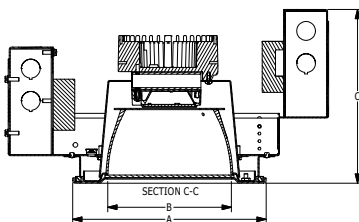
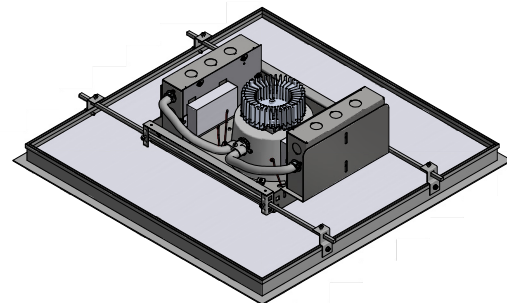
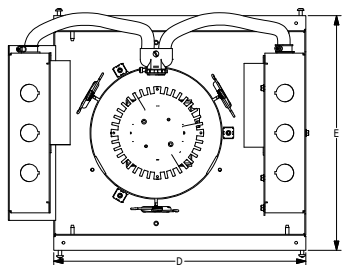
**FINISH:** White polyester powder coat on doorframe surface. Stainless steel trims are satin polished.

**LISTINGS:** ETL Listed for Wet Locations. Suitable for non-IC installation. IP-65 dust and water jet resistance. IBEW Union Label. Certified ISO-14644-1 classes 5 to 9 Fed. Std. 209E Class 100.

**5/10 YEAR WARRANTY:** The driver(s), LED's and EM packs are covered by a five (5) year warranty. The remaining fixture is covered by a ten (10) year warranty. See warranty statement at kurtzon.com for complete details. This product is Buy American Act (B.A.A.) compliant.

## PRODUCT DRAWINGS

DOWNLIGHT REFERENCE DIMENSIONS						
MODEL	DIM A	DIM B	DIM C	DIM D	DIM E	DIM F
SBD/IBD	9.00"	5.75"	8.00"	12.65"	11.75"	26.00"



12-AB-L-DOWNLIGHT 2CH: 4/07/2020

# Cleanroom KL Series Red & White Downlights

Sealed 6" Aperture Recessed Red/White LED Downlight for Cleanroom and Containment Installations.

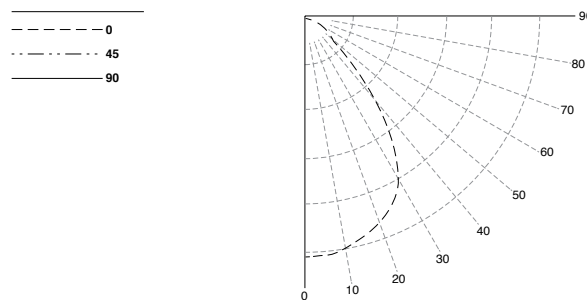
## ENERGY DATA

SEALED LED DOWNLIGHT - 660nm RED						
LIGHT PACKAGE	RED (660nm)			WHITE (80+ CRI; 4000k)		
	DELIVERED LUMENS	WATTAGE	EFFICACY	DELIVERED LUMENS	WATTAGE	EFFICACY
DLMR-660	238	10.6	22.5	NA		
DLMR-660-DLM15-840	183	8.2	22.5	1,600	18	88

- 1: DELIVERED LUMEN DATA IS EXTRAPOLATED FROM MEASURED DATA @25C WITH NO EXTRA OPTIONS.
- 2: WATTAGE IS MEASURED @ 120vAC AND Tambient = 25C. WATTAGES MAY VARY AND WHEN OPTIONS ARE SELECTED
- 3: MAX TEMP RATING IS WITH NO OTHER OPTIONS SELECTED.(NON-IC)

## PHOTOMETRICS

### CLEAR FLAT LENS



### Relative Intensity | Red 660 LEDs

