

AB1PTQ Series

EasyLED Round & Square Pillar Tops



The LEPG EasyLED Pillar Top luminaires with UV-stabilized polycarbonate lenses and sealed optical compartments are designed to replace HID lighting systems up to 70w MH or HPS. These fixtures are designed for use on pillars, columns, fences, railings and other outdoor structures. Ideal for use in retail centers, schools and universities, office buildings, apartments and condominium complexes, and residential areas.

Specifications and Features:

Housing:

Die Cast Aluminum Housing with Flush Mounting Base, Flat, Dome and Pyramid Top, Internal Driver Tray for Easy Maintenance. 1/2" Coin Plugs for Photocell and Conduit Entry.

Listing & Ratings:

CSA: Listed for Wet Locations, ANSI/UL 1598, 8750 IP66 Sealed LED Compartment.

Finish:

Textured Architectural Bronze or Black Powdercoat Finish Over a Chromate Conversion Coating. Custom Colors Available Upon Request.

Reflector:

Reflective White UV-Stabilized Polycarbonate Cone Reflector

Lens:

Clear UV-Stabilized Polycarbonate or SoftLED LumaLens Opal UV-Stabilized Polycarbonate Vandal-Resistant Lens.

Mounting:

Flush Mount on Flat Surfaces. Cast-In Electrical Box Template with 1/2" Coin Plug on Bottom.

EasyLED LED:

Aluminum Boards

Wattage:

Array: 23w, System: 27w; (70w HID Equivalent)

Driver:

Electronic Driver, 120-277V, 50/60Hz or 347V, 50/60Hz; Less Than 20% THD and PF>0.90. Standard Internal Surge Protection 2kV. 0-10V Dimming Standard for a Dimming Range of 100% to 10%; Dimming Source Current is 150 Microamps.

Warranty:

5-Year Warranty for -20°C to +40°C Environment.



AB1PTQ
Round Flat
Pillar Top



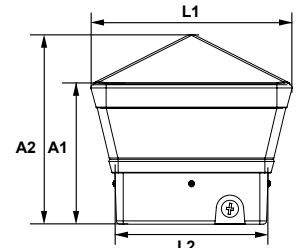
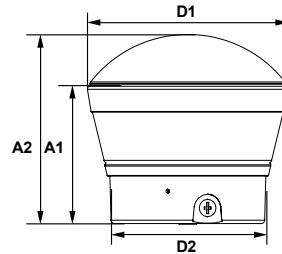
AB1BPTQ
Round Dome
Pillar Top



AB2CPTQ
Square Pyramid
Pillar Top



AB2PTQ
Square
Flat Pillar
Top



Dimensions

Diameter (D1)	9 5/8" (233mm)
Diameter (D2)	7" (178mm)
Height (A1)	6 1/4" (159mm)
Height (A2)	8 5/8" (219mm)

Dimensions

Length ² (L1)	9 1/4" (236mm)
Length ² (L2)	7" (178mm)
Height (A1)	6 3/4" (162mm)
Height (A1)	8 3/4" (222mm)

Order Information:

Model	Optics	Wattage	Driver	CCT	Lens	Color	Options
	F=Wide Beam Spread	1X23=23w		4K=4000K			
AB1PTQ=Round Flat Pillar Top AB1BPTQ=Round Dome Pillar Top AB2PTQ=Square Flat Pillar Top AB2CPTQ=Square Pyramid Pillar Top	F=Wide Beam Spread	1X23=23w	U=120-277V C=347V	4K=4000K	C=Clear UV-Stabilized Polycarbonate Vandal-Resistant Lens L=SoftLED LumaLens Opal UV-Stabilized Polycarbonate Vandal-Resistant Lens	Z=Bronze B=Black C=Custom (Consult Factory)	SF=Single Fuse (120-277V Only) DF=Double Fuse (120-277V Only) SP=Surge Protection PC1=Photocell, 120VAC PC3=Photocell, 120-277VAC

Accessories & Replacement Parts:

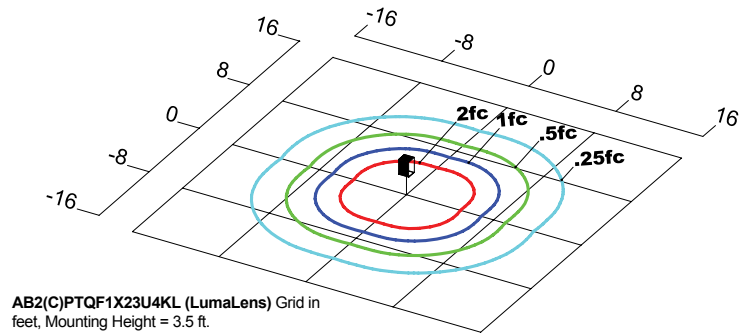
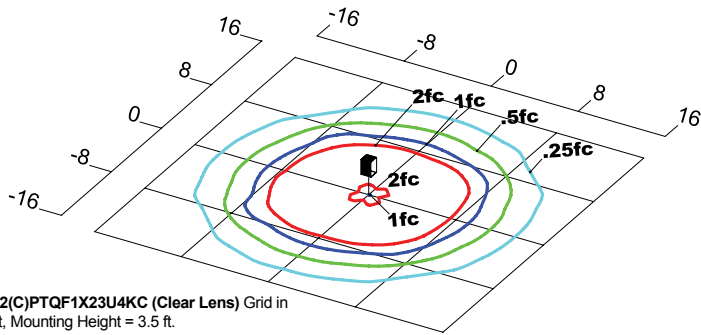
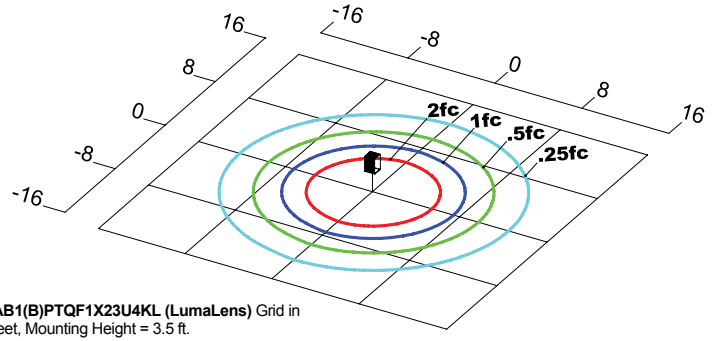
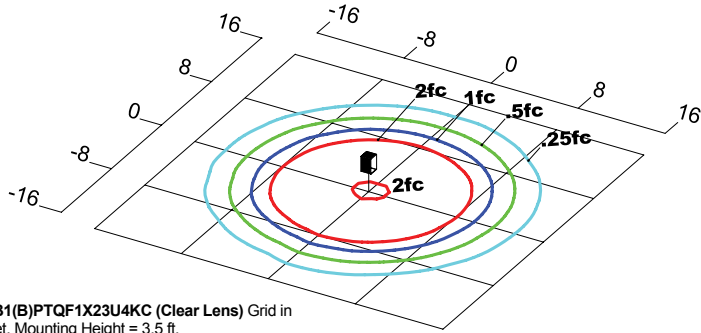


P18100 & P18103

**Replacement Parts
(Order Separately, Field Installed)**

P18100	120VAC, Photocell
P18103	120-277VAC Photocell

Photometric Data



Photometric Performance

LED Board Watts	Drive Current (mA)	Input Watts	Bollards	4000 CCT 80 CRI				
				Lumens	LPW	B	U	G
EasyLED 23w	116	27	B1PT (Clear Lens)	2,093	78	1	3	1
			B1PT (LumaLens)	1,338	50	1	3	1
			B2PT (Clear Lens)	2,133	79	1	3	1
			B2PT (LumaLens)	1,287	48	1	3	1

Projected Lumen Maintenance

Data shown for 4000 CCT			Compare to MH				
TM-21-11	Input Watts	Initial	25,000 Hrs	50,000 Hrs	100,000 Hrs	Calculated L70@ 25°C	
B1PT L70 Lumen Maintenance @ 25°C / 77°F	27	1.00	0.93	0.86	0.72	106,000	
B2PT L70 Lumen Maintenance @ 25°C / 77°F	27	1.00	0.93	0.86	0.72	106,000	
TM-21-11	Input Watts	Initial	25,000 Hrs	50,000 Hrs	100,000 Hrs	Calculated L70@ 50°C	
B1PT L70 Lumen Maintenance @ 50°C / 122°F	27	1.00	0.91	0.83	0.66	88,000	
B2PT L70 Lumen Maintenance @ 50°C / 122°F	27	1.00	0.91	0.83	0.66	88,000	
TM-21-11	Input Watts	Initial	25,000 Hrs	50,000 Hrs	100,000 Hrs	Calculated L80@ 40°C	
B1PT L80 Lumen Maintenance @ 40°C / 104°F	27	1.00	0.92	0.84	0.67	61,000	
B2PT L80 Lumen Maintenance @ 40°C / 104°F	27	1.00	0.92	0.84	0.67	61,000	