



(VRUD) Vicky Ring Up & Downward Light



PRODUCT DESCRIPTION

The Vicky Ring light is a unique ring style light with an LED light source illuminating up and downward. It is available in sizes ranging from 23.6"(dia.) up to 196.9"(dia.) . Aluminum body constructions. A versatile architectural lighting solution, available as pendant mount.

FEATURE

- Fixtures in diameters from 23.6" through 196.9"
- Direct and indirect illuminating

ELECTRICAL SYSTEM

- Input Voltage: 120-277V, 50/60Hz
- 0-10V Dimming standard
- Minimum Ambient -20°C, Maximum Ambient is 40°C
- Power Factor: > 0.9 at full load
- Total Harmonic Distortion: < 20% at full load

SPECIFICATION

Cable and wire cord length: 59" (1.5m)

PERFORMANCE

CRI

90

CCT

3000K, 3500K, 4000K, 5000K

Dimming

0-10V Dimming Standard

Projected Lifetime

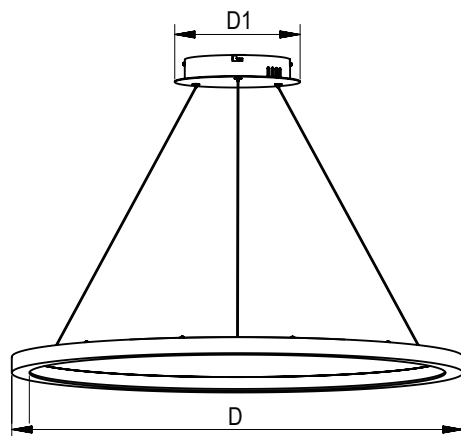
L70 - 100,000 Hours

Working Temperature

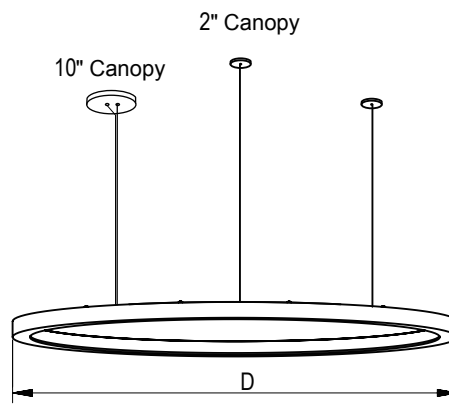
-4-104°F (-20-40°C)

Certifications

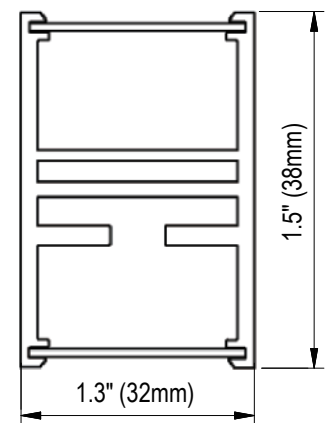
- cETLus conforms to UL Std. 1598
Cert. to CSA Std. C22.2 No.250.0
- Suitable for dry locations
- RoHs compliant



Central Canopy Suspended



Direct Suspended



Section

DIMENSION		Driver Quantity	Section Quantity	Wattage
D	D1			
23.6"(600mm)	10.0"(250mm)	2	1	65W
35.4"(900mm)	10.0"(250mm)	2	1	80W
47.2"(1200mm)	10.0"(250mm)	3	1	120W
59.1"(1500mm)	10.0"(250mm)	3	1	135W
78.8"(2000mm)	14.0"(350mm)	4	3	150W
118.1"(3000mm)	18.0"(450mm)	7	5	300W
196.9"(5000mm)	20.0"(500mm)	14	6	480W

Ordering Information

Example: VR UD - / - 6524 - 40 90 1 - ACPMK - / - WH
 1 2 3 4 5 6 7 8 9 10

1. Series

VR - Vicky Ring

2. Light Emitting

UD - Up and Downward Light

3. Acoustic Configuration

Blank - Light without Acoustic

4. Watts/Diameter

- | | |
|---|---|
| <input type="checkbox"/> 6524 - 65W/φ23.6" | <input type="checkbox"/> 15079 - 150W/φ78.8" |
| <input type="checkbox"/> 8035 - 80W/φ35.4" | <input type="checkbox"/> 300118 - 300W/φ118.1" |
| <input type="checkbox"/> 12047 - 120W/φ47.2" | <input type="checkbox"/> 480197 - 480W/φ196.9" |
| <input type="checkbox"/> 13559 - 135W/φ59.1" | |

5. CCT

- | | |
|--|--|
| <input type="checkbox"/> 30 - 3000K | <input type="checkbox"/> 35 - 3500K |
| <input type="checkbox"/> 40 - 4000K | <input type="checkbox"/> 50 - 5000K |

6. CRI

90 - 90Ra

7. Voltage

1 - 120-277V

8. Installation

ACPMK - Aircraft Cable
Pendant Mount Kits*

* Central canopy pendant is standard for 65W/80W/120W/135W.
Direct suspended is standard for 150W/300W/480W.

9. Controls

Blank - None

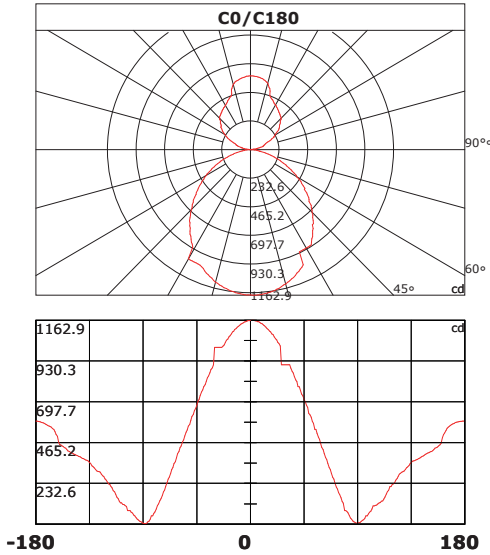
10. Frame Finish

WH - White

* White finish frame is standard. Custom colors might be available for an additional fee. Please check with Customer Service for more information.

PHOTOMETRY

All published luminaire photo metric testing performed to IESNA LM-79-08 standards by a NVLAP certified laboratory. IESNA LM-79-08 specifies the entire luminaire as the source resulting in a fixture efficiency of 100%. Result may vary per actual order.



PERFORMANCE DATA

LUMEN OUTPUT

Lumen values are measured by third party certified laboratories performed in accordance with IESNA LM-79-08 as well as Lighting Facts listed.

Watts	Lumen Output	AC Input 120V	CCT	CRI	LPW
65	5500	0.54A	4000K	90	85
80	6800	0.67A	4000K	90	85
120	10200	1.00A	4000K	90	85
135	11400	1.13A	4000K	90	85
150	12750	1.25A	4000K	90	85
300	25500	2.50A	4000K	90	85
480	40800	4.00A	4000K	90	85

Note: Lumen outputs for 120W/135W/150W/300W/480W are calculated.

Ref#: 20230725

Warranty

Five year limited warranty.

Notes: Specifications subject to change without notice.