

LED DOOR FRAME RETROFIT KIT



PRODUCT DESCRIPTION

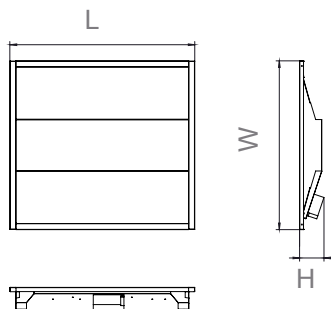
LED troffer door frame retrofit kit is designed to have even illumination from end to end. It is suitable for office, hospital, and retail environments. The retrofit is a one piece and enclosed steel framed Center Basket. It is designed to upgrade fluorescent light fixtures. Assembly allows for rapid troffer conversion. Upgrade to modern full distribution architectural aesthetics providing controlled very soft, very well uniform light distribution. Easy installation, only need 2.5 minutes. Available in both 2x2 and 2x4 configurations.

ELECTRICAL SYSTEM

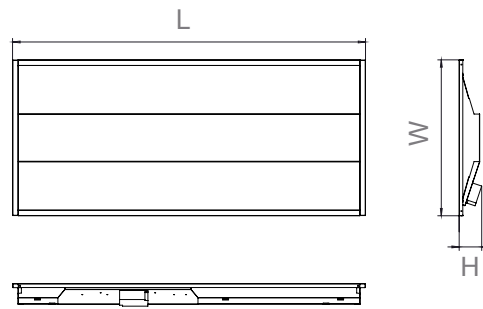
- Input Voltage: 120-277V
- 50/60Hz
- 1-10V Dimmable
- Class II drivers
- Minimum Ambient -20°C, maximum 40°C
- Power Factor: > 0.98 at full load
- Total Harmonic Distortion: < 20% at full load

SPECIFICATION

Length: 22.56"
Width: 20.59"
Height: 2.97"
Max. Weight: 12 lbs



Length: 46.62"
Width: 20.59"
Height: 2.97"
Max. Weight: 21 lbs



PERFORMANCE

CRI

80

CCT

3000K, 3500K, 4000K, 5000K

Dimming

1-10V Dimming Standard

Projected Lifetime

L70 - 125,000 Hours

Working Temperature

-4-104°F (-20-40°C)

Certifications

- cETLus conforms to UL Std. 1598
Cert. to CSA Std. C22.2 No.250.0
- Suitable for dry or damp locations
- RoHS compliant

Ordering Information

Example: TRK22D25LEDXX-DL-EBU

Door Frame Retrofit Kit	Dimension	Dimmable	Watts	Source type	CCT	Series	Control
TRK	22- 2'x2'	D-1-10V	18-18 Watts ¹	LED	30 - 3000K	Series- DL	EBU - Emergency
		Dimmable	25-25 Watts				
			32-32 Watts		35 - 3500K ³		Battery Backup ²
			25-25 Watts		40 - 4000K ³		MSW- Microwave
	24- 2'x4'		38-38 Watts		50 - 5000K		Motion Sensor ⁴
			45-45 Watts				MSWB - Bluetooth
							Microwave
							Motion Sensor ⁵

Notice:

- For EBU solution, 18W is excluded.
- The emergency test button is pre-installed on fixture. If need a remote test switch please contact factory. The EBU is Title 20 compliant.
- 3500K and 4000K are standard
- Information of sensor default setting is on the last page. Sensor data can be reset for each specific application by DIP switches or by a remote controller which need to be bought separately.
- Information of sensor default setting is on the last page. Sensor data can only be reset by a user manual APP. Please contact Customer Service for APP details.

Accessories (Ordered separately)

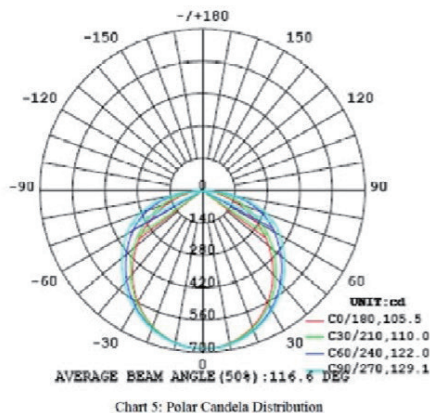


RC-100

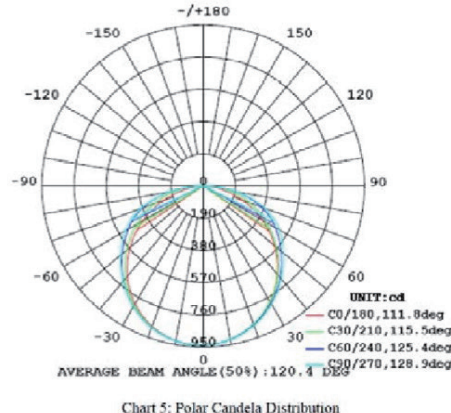
Remote control for sensor

PHOTOMETRY

All published luminaire photometric testing performed to IESNA LM-79-08 standards by a NVLAP certified laboratory.



2X2 18W



2X4 25W

PERFORMANCE DATA

LUMEN OUTPUT

Lumen values are measured by third party certified laboratories performed in accordance with IESNA LM-79-08 as well as Lighting Facts listed.

Nominal Watts	Measured Watts	Size	Lumen Output @5000K	Lumen Output @4000K	Lumen Output @3500K	Lumen Output @3000K	AC Input @ 120V	CRI	LPW
18W	18W	2x2	2160	2160	2120	2050	0.15A	>80	120
25W	26W	2x2	3400	3350	3300	3200	0.22A	>80	131
32W	32W	2x2	3930	3840	3840	3650	0.27A	>80	123
25W	25.5W	2x4	3400	3350	3300	3120	0.21A	>80	133
38W	36W	2x4	4680	4600	4500	4400	0.30A	>80	130
45W	44W	2x4	5400	5300	5160	5160	0.37A	>80	123

Lumen Ambient Temperature (LAT) Multipliers

Use these factors to determine relative lumen output for average ambient temperature from -4-104°F (-20-40°C)

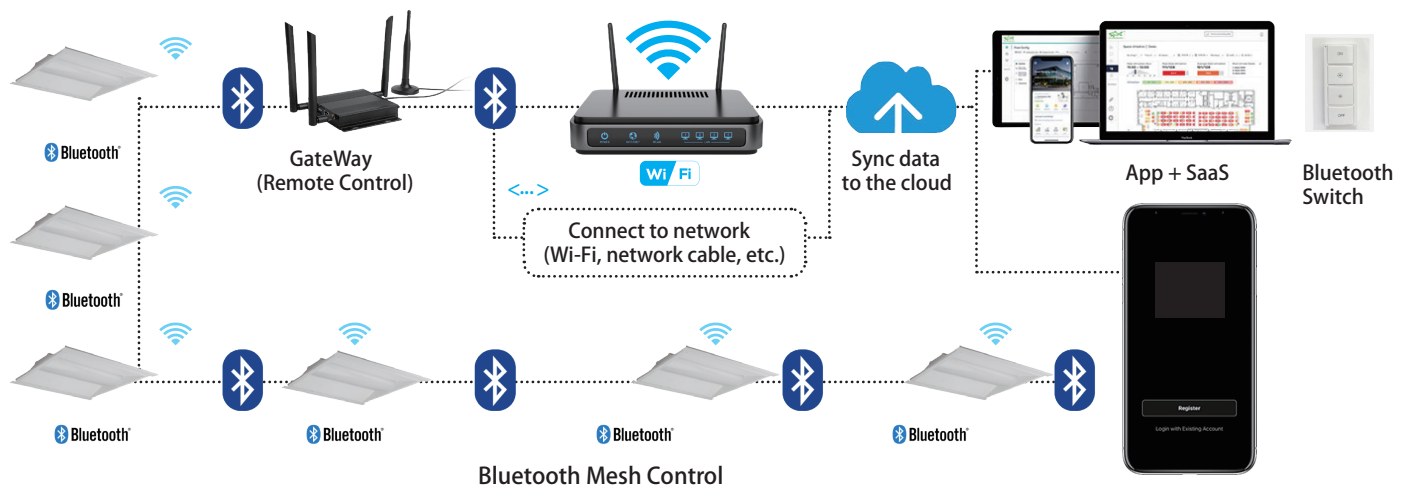
Ambient		Multiplier
Celsius	Fahrenheit	
0	32	1.02
10	50	1.01
20	68	1.00
25	77	1.00
30	86	1.00
40	104	0.99

Projected LED Lumen Maintenance

Data references the extrapolated performance projections for the LED troffer retrofit kit in a 77°F ambient, (tested per IESNA LM-80-08 and projected per IESNA TM-21-11).

Operating Hours	0	12,000	18,000	30,000	125,000
Lumen Maintenance Factor	1.0	0.98(L98)	0.96(L96)	0.92(L92)	0.70(L70)

BLUETOOTH MICROWAVE MOTION SENSOR (ANT-7-BLE)



OVERVIEW

The Bluetooth Fixture Sensor is a complete sensing and lighting control node powered from its attached light fixture. Sensor information combined with a configurable behavior profile makes the fixture Sensor an integral component of an intelligent lighting control and sensing solution. With integrated wireless communications for data transmission and remote configuration as well as autonomous fixture-level control, this sensor brings advanced lighting automation to a whole new level.

FEATURES AND BENEFITS

Sharkward Fixture Sensor DLC: Meet DLC 5.1 Networked Lighting Control System.

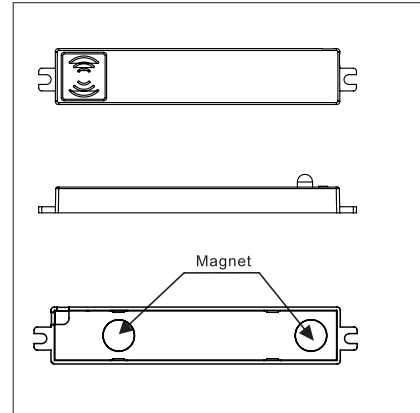
Localized Lighting Control: Light-level schedules, preferences, and profiles for each fixture are wirelessly communicated at system setup and stored for continuous operation.

Bluetooth Low Energy: An embedded BLE radio allows the sensor to receive and transmit beacons as well as support communication with lighting control devices and other sensors.

Occupancy/Vancacy/Manual: A Microwave sensor combined with ambient with 3 difference modes as options.

Daylight Harvesting: Captured ambient light information is locally processed to raise and lower light levels based on available daylight.

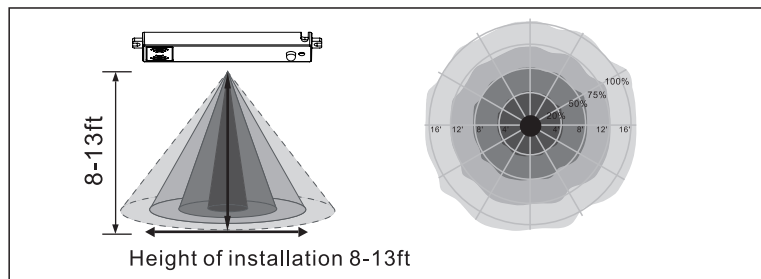
Room and Zone Control: Pairs with room switches for code-compliant manual-on or auto-off capability. Sensors can be grouped into zones that share occupancy sensing data and coordinate light control based on detected motion.



TECHNICAL DATA

Motion Sensor	Microwave sensor
Input Power	12-24VDC, >50mA
Control Output	2-channel 0-10V output signals , 1 for dimming, 1 for CCT
Mounting height	13ft(4m)Max.
Detection angle	360°
Operating temperature	-40°F~158°F(-40°C~70°C)
Wireless Standards	5.0 Bluetooth Mesh

SENSOR COVERAGE



MICROWAVE SENSOR SETTING

Sensor data can be reset for Microwave Motion Sensor by DIP switches or by a remote controller which need to be bought separately. Sensor data can only be reset by a user manual APP for Bluetooth Microwave Motion Sensor. Please contact Customer Service for APP details.

Detection area

Detection area can be reduced by selecting the combination on the remote controller to fit precisely each application.

Optional Setting: 100%/75%/50%/20%

Default Setting: 100%

Hold time

Refers to the time period the lamp remains at 100% illumination after no motion detected.

Optional Setting: 10S/1min/5min/15min

Default Setting: 15min

Daylight sensor

The sensor can be set to only allow the lamp to illuminate below a defined ambient brightness threshold. When set to Disable mode, the daylight sensor will switch on the lamp when motion is detected regardless of ambient light level. 50lux, 30lux: twilight operation, 10lux, 5lux: darkness operation only. Note that daylight sensor is active only when lamp totally switches off.

Optional Setting: Disable/10lux/30lux/50lux

Default Setting: Disable

Stand-by dimming level

The low light level you would like to have after the hold time in the long absence of people.

Optional Setting: 0%/10%/30%/50%

Default Setting: 30%

Stand-by period

Refers to the time period the lamp remains at a low light level before it completely switches off in the long absence of people. When set to “+∞” mode, the low light is maintained until motion is detected.

Optional Setting: 1min/30min/60min/+∞

Default Setting: 30min

Warranty

Five year limited warranty.

Specifications subject to change without notice.