

GALENE LED WALL LIGHT

Indirect and Direct Light



PRODUCT DESCRIPTION

The Galene wall light is designed in a round or square shape with durable powder coat paint. It combines aluminum structure with a tempered glass diffuser radiating light upward and downward against the wall where installed.

FEATURES

- Round and square shapes available
- Direct and indirect light
- 3000K, 4000K and 5000K selectable
- Wattage selectable
- Wide voltage 120-347V

ELECTRICAL SYSTEM

- Input voltage: 120-347V
- 50/60Hz
- Power Factor: >0.9
- Working Temperature: -40-104°F (-40-104°F)

PERFORMANCE

CRI

70

CCT

3000K, 4000K, 5000K

Dimming

Non dimming

Projected Lifetime

L70 -100,000 Hours

Working Temperature

-40 - 104°F (-40 - 40°C)

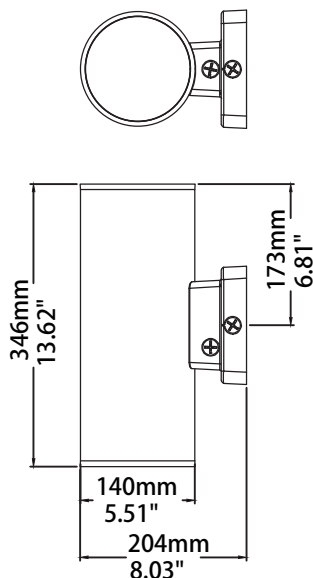
Certifications

- cUL listed
- Suitable for wet locations
- RoHs compliant

SPECIFICATION

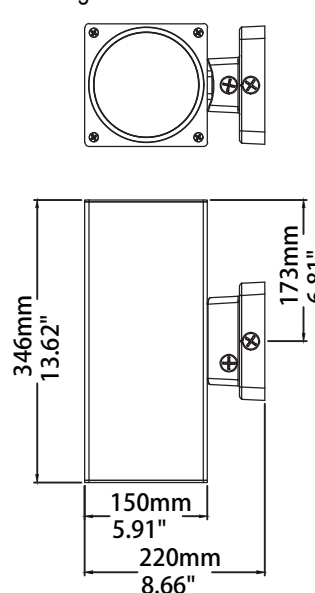
Round Shape

Net Weight: 6.13lbs



Square Shape

Net Weight: 7.1lbs



Ordering Information

Example: GID-RSP-SW8-60-BK

| Model | - Shape | Watts | - CCT | Voltage | Control | - Beaming Angle | Finish |
|---------------------------|---------------------------|---|--|-------------|--------------|----------------------------|--------------|
| GID - Indirect and Direct | - R - Round S - Square | SP - Selectable Power 20/40W ¹ | - SW - Selectable White 3000K/4000K/5000K ² | 8 -120-347V | Blank - None | 25-25° 45-45° 60-60° | - BK - Black |

Notice:

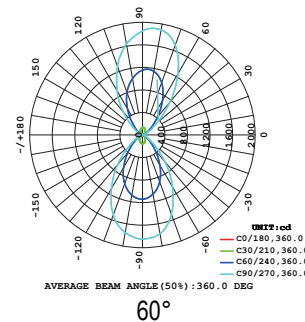
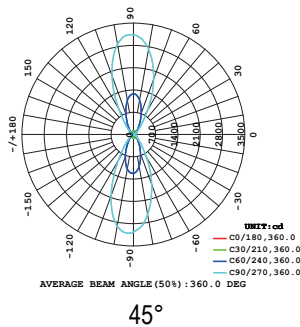
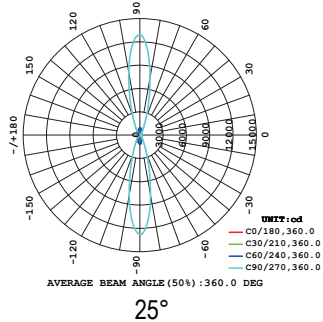
- 40W is the default setting. If other wattage is needed, please contact Customer Service in advance to change the setting in factory or change the setting in the field.
- 4000K is the default setting. If other CCT is needed, please contact Customer Service in advance to change the setting in factory or change the setting in the field.

* Minimum order required, please contact customer service for additional information.

* Standard Finish is Black. Additional charge will apply for custom finish.

PHOTOMETRY

All published luminaire photo metric testing performed to IESNA LM-79-08 standards by a NVLAP certified laboratory.



PERFORMANCE DATA

LUMEN OUTPUT

Lumen values are measured by third party certified laboratories performed in accordance with IESNA LM-79-08 as well as Lighting Facts listed.

| Watts | Tested Watts | Lumen Output | AC Input 120V | CCT | Beam Angle | CRI | LPW |
|-------|--------------|--------------|---------------|-------|------------|-----|-----|
| 20 | 20 | 2500 | 0.17A | 4000K | 45° | 70 | 130 |
| 40 | 37 | 4800 | 0.33A | 4000K | 45° | 70 | 130 |

* 0.92 multiplier is for 3000K and 5000K.

Warranty

Five year limited warranty.

Note:

Specifications subject to change without notice.