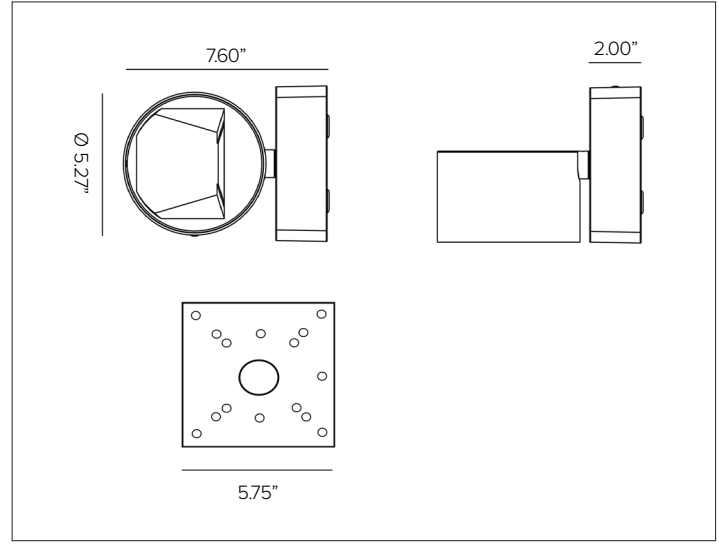


ZENO MEDIUM APPLIQUE

Surface Mount Asymmetric Indirect



ZENO MEDIUM APPLIQUE shown in Plaster White finish.



CONCEPT

Surface mount asymmetric for indirect wall or ceiling distribution.

MECHANICAL CHARACTERISTICS

Dimensions	Ø 5.27" Dia. X 7.60"D
Materials	Die-cast painted aluminum optical unit and power supply box.
Finish	● Plaster White ● Deep Black
Functionality	The optical unit can be adjusted from 0 to -90° on the vertical plane and 355° on the horizontal plane with aiming locking system.
Mounting	Surface mounted over recessed J-box. Fixture is supplied with universal adapter plate to mount over 4"x4" J-box.
Weight	3.3lbs
Protection	IP40

CERTIFICATIONS

cULus Listed.
 Tested in accordance with LM-79-08.
 Compliant with California energy regulations.
 RoHS3 EU 215/863

WARRANTY

5 year limited warranty.

SUSTAINABILITY

Luminaire designed for disposal/recycling at end-of-life. Replaceable LED light source and control gear by a Targetti technician.

ELECTRICAL CHARACTERISTICS

Power Supply	Integrated 4/1 smart driver (Non-dimmable / 0-10V / Reverse Phase / Forward Phase).
Wattage	28W
Voltage	Universal Voltage 120-277V AC 50/60Hz

SOURCE

High efficiency LED Chip on Board.

TM30	CCT (Nominal)	CRI	Rf	Rg	SDCM
	2700K	97	94	103	2
	3000K	97	95	93	2
	3500K	97	93	99	2
	4000K	97	92	102	2

OPTIC

Composed of a highly reflective mirrored anodized aluminum optic with PMMA holographic filter and a painted black polycarbonate holder.

Beam	<p>ASYM 34° X 54°</p>	
Delivered Lumens	3000K	1448Lm
	4000K	1496Lm
	<i>For 2700K lumen values use multiplier of 0.96 from 3000K For 3500K lumen values use multiplier of 1.02 from 3000K.</i>	
Efficacy	54Lm/W max. Refer to photometric graphs for specific values.	
Lifetime	L92/B10 >30,000hrs at max TA +25°C L89/B10 >50,000hrs at max TA +25°C	
Photobiological Classification	Low risk photobiological safety RG1	

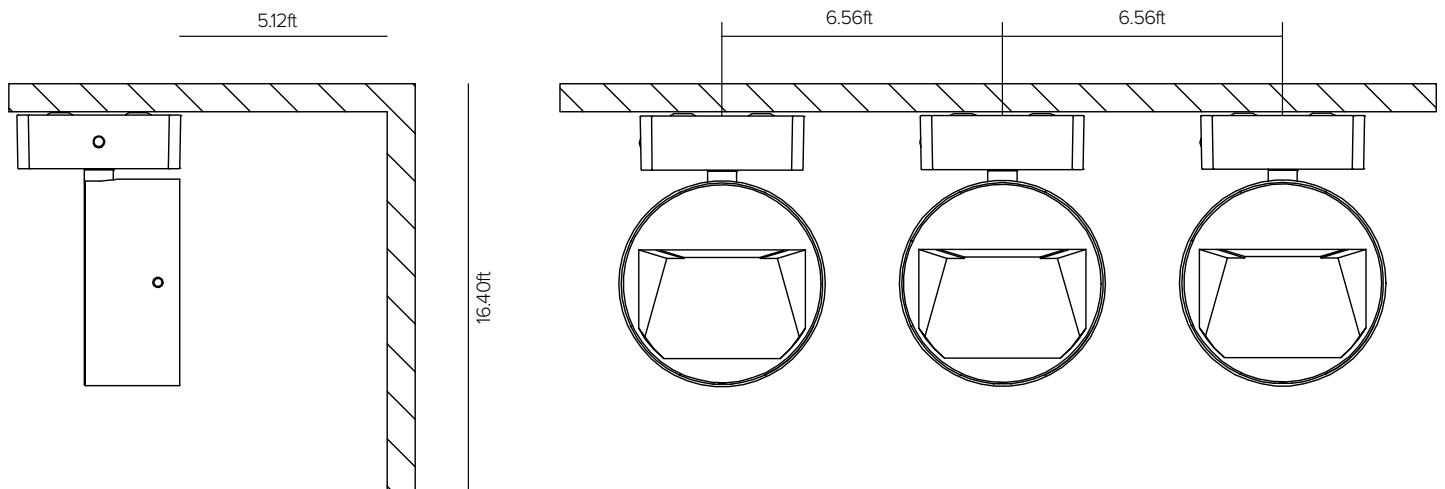
ZENO MEDIUM APPLIQUE

SPECIFICATION INFORMATION



1 - PRODUCT CODE	2 - DRIVER	3 - FINISH	4 - OPTICS	5 - WATTAGE	6 - KELVIN
ZEA — ZENO MEDIUM APPLIQUE	41 — 4/1 Dimming (Non-Dimming / 0-10V / Reverse Phase / Forward Phase)	PW — Plaster White DB — Deep Black	AS — Asymmetric 34° X 54°	L1 — 28W	27 — 2700K 30 — 3000K 35 — 3500K 40 — 4000K

RECOMMENDED SPACING



ZENO MEDIUM APPLIQUE

PHOTOMETRY



3000K		H(m)	D1(m)	D2(m)	E _{max} (lx)
Ra97			34°	54°	
Fixture Power	28W	1	1.06	1.18	1345
Source Flux	2602lm	2	2.11	2.35	336
Fixture Flux	1473lm	3	3.17	3.53	149
Efficacy	53lm/W	4	4.23	4.71	84
TS979	I _{max} =745cd/klm	I _{max}	1939cd	5	5.28 5.89 54



4000K		H(m)	D1(m)	D2(m)	E _{max} (lx)
Ra97			34°	54°	
Fixture Power	28W	1	1.06	1.18	1389
Source Flux	2688lm	2	2.11	2.35	347
Fixture Flux	1521lm	3	3.17	3.53	154
Efficacy	54lm/W	4	4.23	4.71	87
TS979	I _{max} =745cd/klm	I _{max}	2003cd	5	5.28 5.89 56