

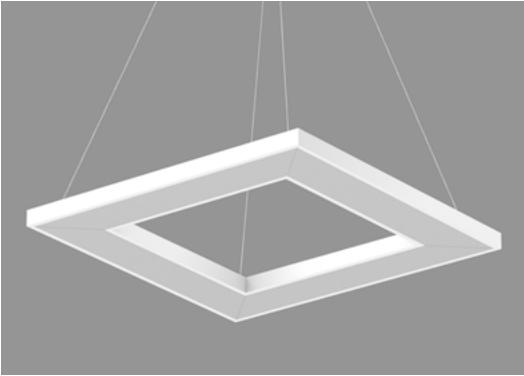
FORTEX 3 LED

PENDANT



LUMENWERX
WWW.LUMENWERX.COM

OUTWARD/INWARD LIGHT DISTRIBUTION



PROJECT: _____

TYPE: _____

NOTES: _____

DESCRIPTION

Fortex 3 is a series of distinctive and elegantly scaled rectangular pendants ideal for spaces such as conference rooms, executive offices, break rooms, cafeterias, vestibules and lobbies. Fortex 3 pendants consist of crisp 4.25" x 1.5" extruded aluminum sides, capped by gently glowing inward and outward optics that extend 0.5" beyond the housing. Corners are mitered and fully luminous. Fortex coordinates with Via 1.5 Plus linear luminaires.

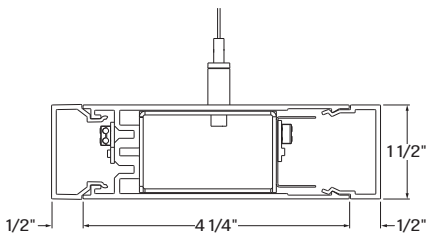
ORDER GUIDE

FOR3POI		HLO	LED			
LUMINAIRE ID	SIZE	OPTICS	LIGHT SOURCE	CRI	DIR/IND LUMEN PACKAGES	COLOR TEMP.
FOR3POI - fortex 3 pendant outward/inward light distribution	18 - 18"x18" 33 - 3'x3' 44 - 4'x4' 14 - 1'x4' 34 - 3'x4'	HLO - High-Efficiency Lambertian Optic	LED - high performance LED	80 - 80CRI 90 - 90CRI	200 - min. ultra low output 200lm/ft 400 - max. low output 400lm/ft #### - other required lm/ft	27 - 2700k 30 - 3000k 35 - 3500k 40 - 4000k

VOLTAGE	DRIVER	1	5SWAC36		
		ELECTRICAL	MOUNTING	FINISH	OPTIONS
120 - 120V 277 - 277V UNV - 120V-277V	D1 - 1% dimming 0-10V DA - Dali LTEA2W - Lutron 1% - 2 wire FF 120V LDE1 - Lutron Hi-lume 1% Eco LDE5 - Lutron 5% EcoSystem * 18"x18" is only available with dimming 0-10V	1 - 1 circuit	5SWAC36 - 5" square white canopy (36" air craft cable) For all other options refer to our Pendant Mounting Guide	W - matte white AL - aluminum CF# - custom finish specify RAL#	CU - custom

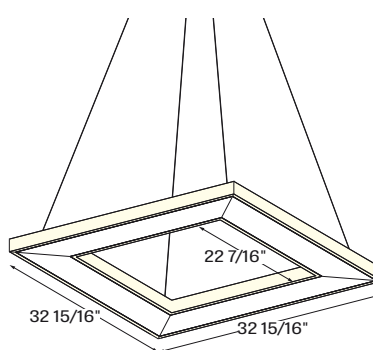
See page 2 for ordering code detailed information

SECTION VIEW



FOR3POI

3D VIEW



FOR3POI - 3'X3'

OPTICS



HLO - High-efficiency Lambertian Optic

FORTEX 3 LED

PENDANT

OUTWARD/INWARD LIGHT DISTRIBUTION

OPTICS

HIGH EFFICIENCY LAMBERTIAN OPTIC (HLO) - Matte white side reflectors combined with High-Efficiency Lambertian Optic (HLO) shielding of diffusing 0.075" thick acrylic with up to 88% transmission and good source obscuration. Luminaire brightness is controlled by the flux-to-shielding area ratio.

LIGHT SOURCE - LED

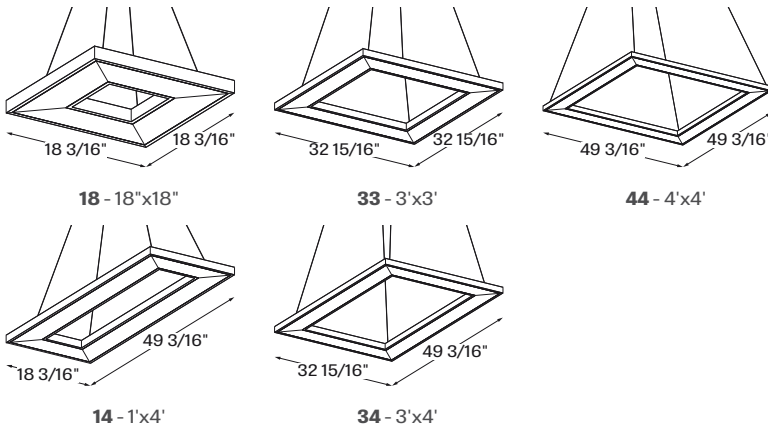
Custom linear array of mid-flux LED's are cartridge-mounted with quick-connect wiring to facilitate service and thermal management. Available in 3000K, 3500K and 4000K with a minimum 80 CRI and an option for 90 CRI with elevated R9 value. Color consistency maintained to within 3 SDCM. LEDs operated at reduced drive current to optimize efficacy and lumen maintenance. All LEDs have been tested in accordance with IESNA LM-80-08 and the results (following TM-21) have shown L80 lumen maintenance greater than 60,000 hours. Absolute luminaire photometry is measured and presented in accordance with IESNA LM-79, unless otherwise indicated.

PERFORMANCE PER 1' AT 4000K

LED output	Color Temp	Watts	Nominal Delivered Lumens	Efficacy LPW
low output	4000K	2.5	200	88
medium output	4000K	4	400	97

LUMINAIRE SIZE

Fortex 3 is offered in 5 standard sizes.



ELECTRICAL

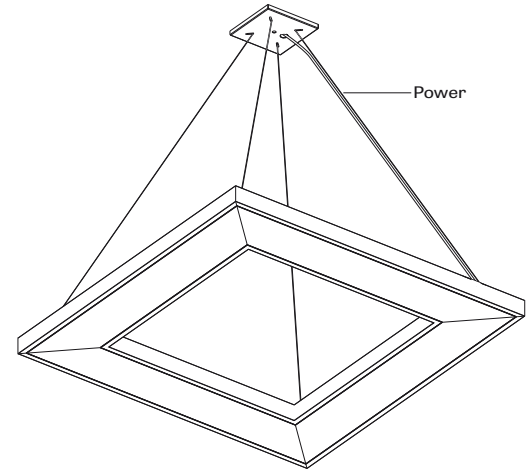
Factory-set, adjustable output current LED driver with universal (120-277VAC) input. Dimmable from 100% to 1% with 0-10V dimming control. Rated life (90% survivorship) of 50,000 hours at 50°C max. ambient (and 70°C max. case) temperature. At maximum driver load: Efficiency > 84%, PF > 0.9, THD < 20%. Other specifiable options include Lutron Hi-Lume 1% (specify 2-wire, or Ecosystem Dim-to-Off), Lutron 5-Series (5% Ecosystem), DMX (RDM compatible) and DALI protocol drivers. All of our standard 0-10V drivers are NEMA 410 compliant. Lutron and Ecosystem are only available in sizes larger than 18".

MOUNTING OPTIONS

Fortex 3 mounts from a 5" square canopy using four 36" long aircraft cables. Canopy installation determines luminaire alignment.

For cable-mounted fixtures - 5SWAC36 (5" square white canopy and a 36" cable)

[For all other options, see our website for a detailed Pendant Mounting Guide](#)



FINISH

Interior - 95%, reflective matte powder coated white paint

Exterior - matte white or aluminum powder coating. Custom finishes are also available.

CONSTRUCTION

Housing - Extruded Aluminum (0.095" nominal) up to 90% Recycled Content

Interior brackets - Die formed cold rolled sheet steel 18 gauge thick

Reflectors - Cold rolled steel 0.024" thick precisely die formed, 95% reflective matte white painted

Hanger - Chromed Griplock securely attached with spring steel hardware in end caps and/or joiners

Air craft cable suspension - 7x7 braids Aluminum air craft cable 0.06" thick

WEIGHT

Fortex 3 - 18 - 9.22lbs - 4.18kg

Fortex 3 - 33 - 18.26lbs - 8.28kg

Fortex 3 - 44 - 29.11lbs - 13.20kg

Fortex 3 - 14 - 18.67lbs - 8.47kg

Fortex 3 - 34 - 22.63lbs - 10.26kg

OUTWARD/INWARD LIGHT DISTRIBUTION

CERTIFICATIONS

ETL - Rated for Indoor Dry/Damp locations. Conforms to UL Standard 1598 and certified to CAN/CSA Standard C22.2 No. 250.0.

WARRANTY

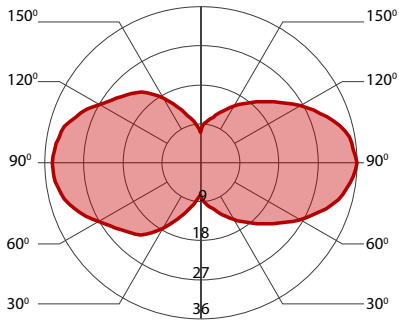
LumenWerx provides a five-year limited warranty of electrical and mechanical performance of the luminaires, including the LED boards, drivers, and auxiliary electronics. LumenWerx will repair or replace defective luminaires or components at our discretion, provided they have been installed and operated in accordance with our specifications. Other limitations apply, please refer to the full warranty on our website.

FORTEX 3 LED

PENDANT

OUTWARD/INWARD LIGHT DISTRIBUTION

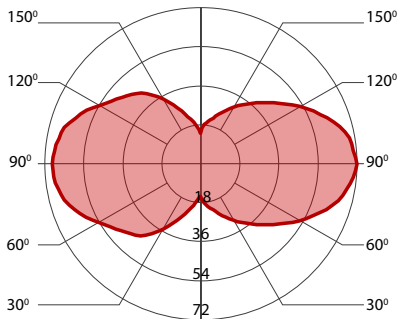
200 LUMEN AT 80CRI - ULTRA LOW OUTPUT



PERFORMANCE PER 1'

LED output	Color Temp	Watts	Nominal Delivered Lumens	Efficacy LPW
ultra low output	3000K	2.5	200	83
ultra low output	3500K	2.5	200	85
ultra low output	4000K	2.5	200	88

400 LUMEN AT 80CRI - LOW OUTPUT



PERFORMANCE PER 1'

LED output	Color Temp	Watts	Nominal Delivered Lumens	Efficacy LPW
low output	3000K	4.5	400	91
low output	3500K	4.5	400	94
low output	4000K	4	400	97